

Data sheet

E-DAT Industry IP67 V14 plug housing for RJ45 unequipped

Page 1/5

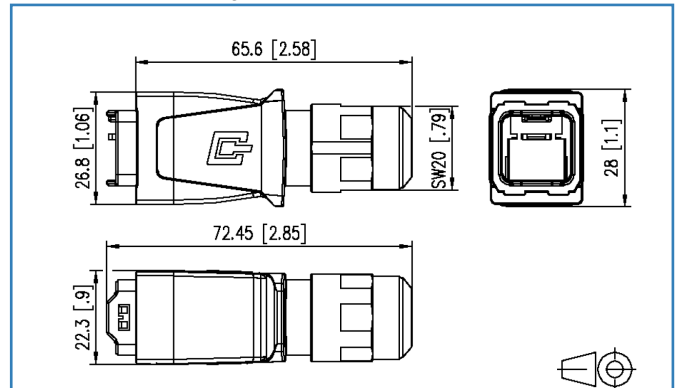
P/N
14010850C0ME
EAN 4250184123590

2017-13-04

Illustrations



Dimensional drawing



See enlarged drawings at the end of document

Product specification

- plug housing with push-pull-lock acc. to ISO/IEC 24702 and IEC 61076-3-117 var. 14
- IP67 protected housing to hold E-DAT Industry plug inserts
- increased diameter range of 10 mm for connection of cable jackets
- resistant to welding sputter
- industry-compatible metal housing with improved durability
- flammability class as per UL 94V-0
- improved resistance to chemical substances
- snap-on clip for color coding after assembly
- cable can be pushed through preassembled plug housing
- matching plug inserts E-DAT Industry RJ45 field plug insert, E-DAT Industry RJ45 plug insert
- variants: plug housing, bend-protected plug housing

Technical Data

General Data

Fields of application	Harsh environment
Design	Plug housings
Color	metallike
Dimensions	
Dimension (L x W x H)	65.60 x 26.80 x 28.00 mm
Dimension (L x W x H)	2.583 x 1.055 x 1.102 in.
Labeling option	on housing
Marking option	by latching clip

Connections/interfaces

Number of ports interface 2	1
Number of ports interface 2 equipped	0
Protective housing interface 1	V14
Protective housing interface 2	V14
Cable sheath diameter (min. - max.)	
Cable sheath diameter	5.00 - 10.00 mm
Cable sheath diameter	0.197 - 0.394 in.
Module plug-in direction	straight
Cable access/outlet	180°

Mechanical characteristics

Locking method (protective housing)	Push Pull
-------------------------------------	-----------

Materials and material properties

Material - Protective housing	GD-Zn (zinc die-cast)
-------------------------------	-----------------------

Environmental conditions

Temperature (min. - max.)	
Temperature - Storage °C	-40 - 70 °C
Temperature - Storage °F	-40 - 158 °F
Temperature - Operating °C	-40 - 70 °C
Temperature - Operating °F	-40 - 158 °F
Particulate ingress	IP6X
Liquid ingress/immersion	IPX7



Technical Data

Environmental conditions

Resistance to welding beads	yes
Increased robustness	yes
Increased chemical resistance	yes

Approvals

RoHS	compliant
------	-----------

The product meets the following standards

Generic cabling systems	
Industrial area	ISO/IEC 24702
Degrees of Protection Provided by Enclosures	IEC 60529
Connectors for electronic equipment	
Rectangular connectors	DIN EN 61076-3-117

Classifications

ETIM 5.0	EC001121
ETIM 6.0	EC001121

Packing details

Type of packaging	10 pc(s) / box
Packaging unit - Weight (gram)	736.00 g
Packaging unit - Weight (pound)	1.62 lb
Packaging dimension (W x H x D)	247.00 x 161.00 x 58.00 mm
Packaging dimension (W x H x D)	9.724 x 6.339 x 2.283 in.



Data sheet

Page 4/5

E-DAT Industry IP67 V14 plug housing for RJ45 unequipped

P/N

14010850C0ME

EAN 4250184123590

2017-13-04

Accessories

P/N	Designation
1401500810-I	E-DAT Industry RJ45 plug insert Cat.6 Class E _A
1401400810-I	E-DAT Industry RJ45 field plug insert Cat.6 Class E _A
1401088002KI	E-DAT Industry IP67 V14 plug protection cap



Illustrations

Dimensional drawing

