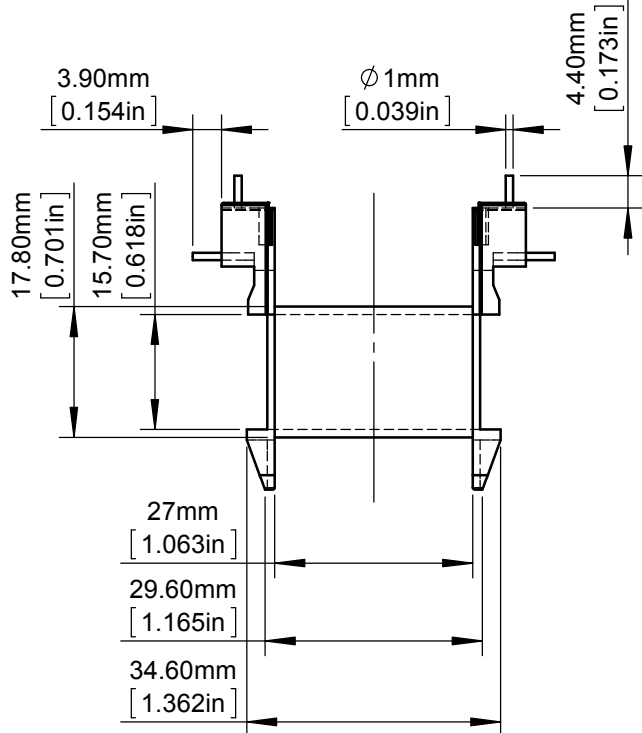
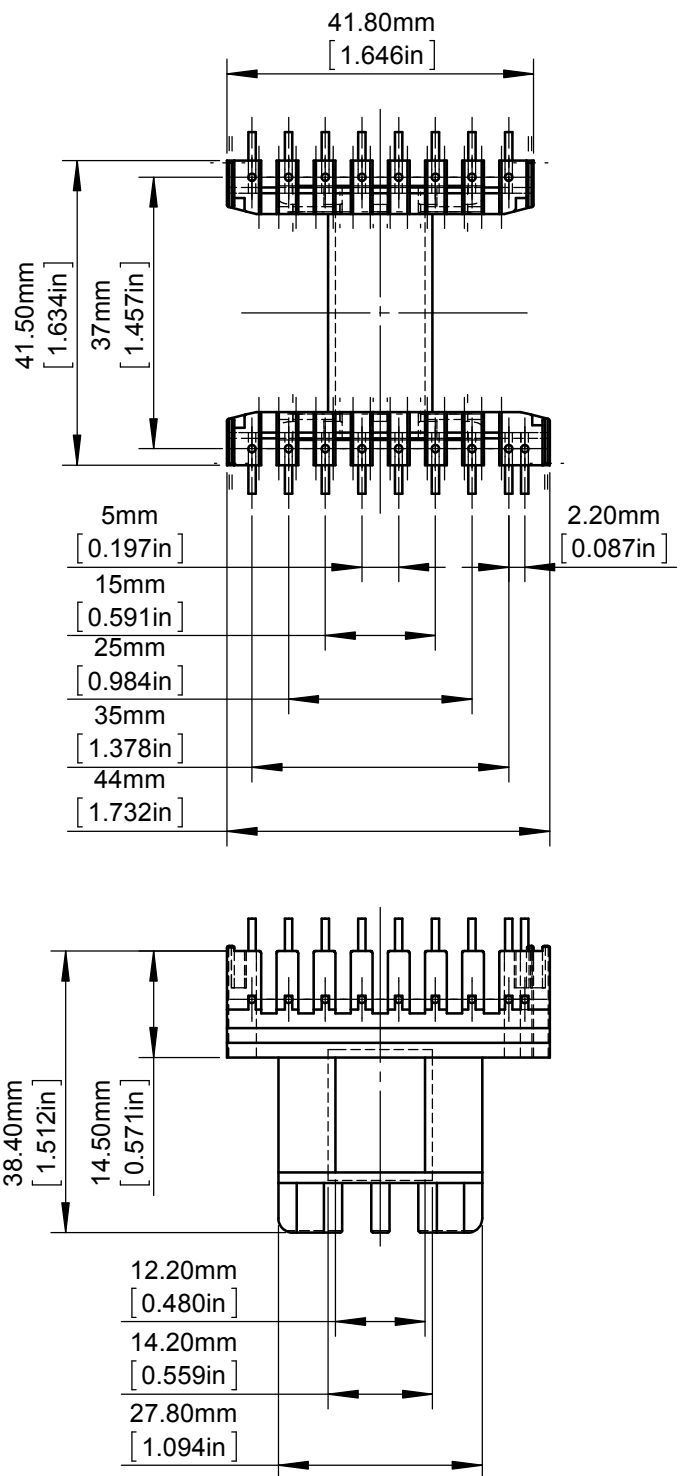
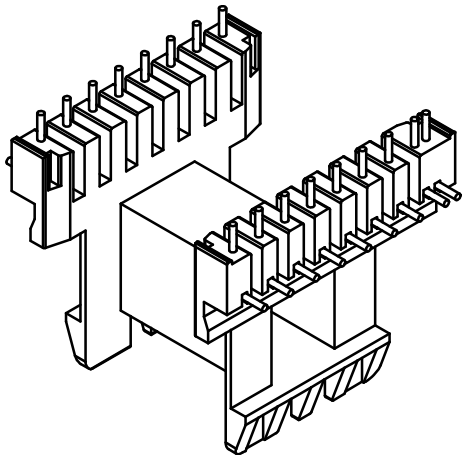
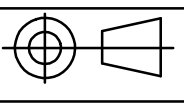




	Core Fit Reference		Industry Core Size
Ferroxcube:E42/21/15-XXX-XXXX	Fair-Rite:94XX036002	Arnold:EXX-0432115	<b>EE-42/15</b>
Epcos Siemens:B66325	Ferrite Intl:42-21-15	Micrometals:E168-XX	<b>E42/21/15</b>
TDK:XXXEE42/21/15-Z	Magnetics:X-44020-EC		



Note: Clip Part # None



Scale	Tolerance(Inches)	Tolerance(mm)	No. of Terminals	Terminal Plating	Terminal Material	Terminal Type
None	.xxx±0.08 .xx±0.12	.xx±0.2 .x±0.3	17	100% Tin	CP WIRE	Through Hole

**LODESTONE PACIFIC**

Phone: 1- (714) 970-0900 • Fax: 1- (714) 970-0800  
www.lodestonepacific.com • sales@lodestonepacific.com

Molding Material	UL File No.	Rating	Class
PBT-4130	E59481	UL94-VO	B
Bobbin Part Number			Rev
<b>B-EE42X15H-17-1-PBT</b>			1