

## 250FT Premade RG59+2C Video Power Cable, Plug & Play

## RoHS Compliant

Stock No.: R7602BD-F

### FEATURES

- 75Ω impedance
- BNC Plug to BNC Plug
- 2.1X5.5mm DC Plug to Jack



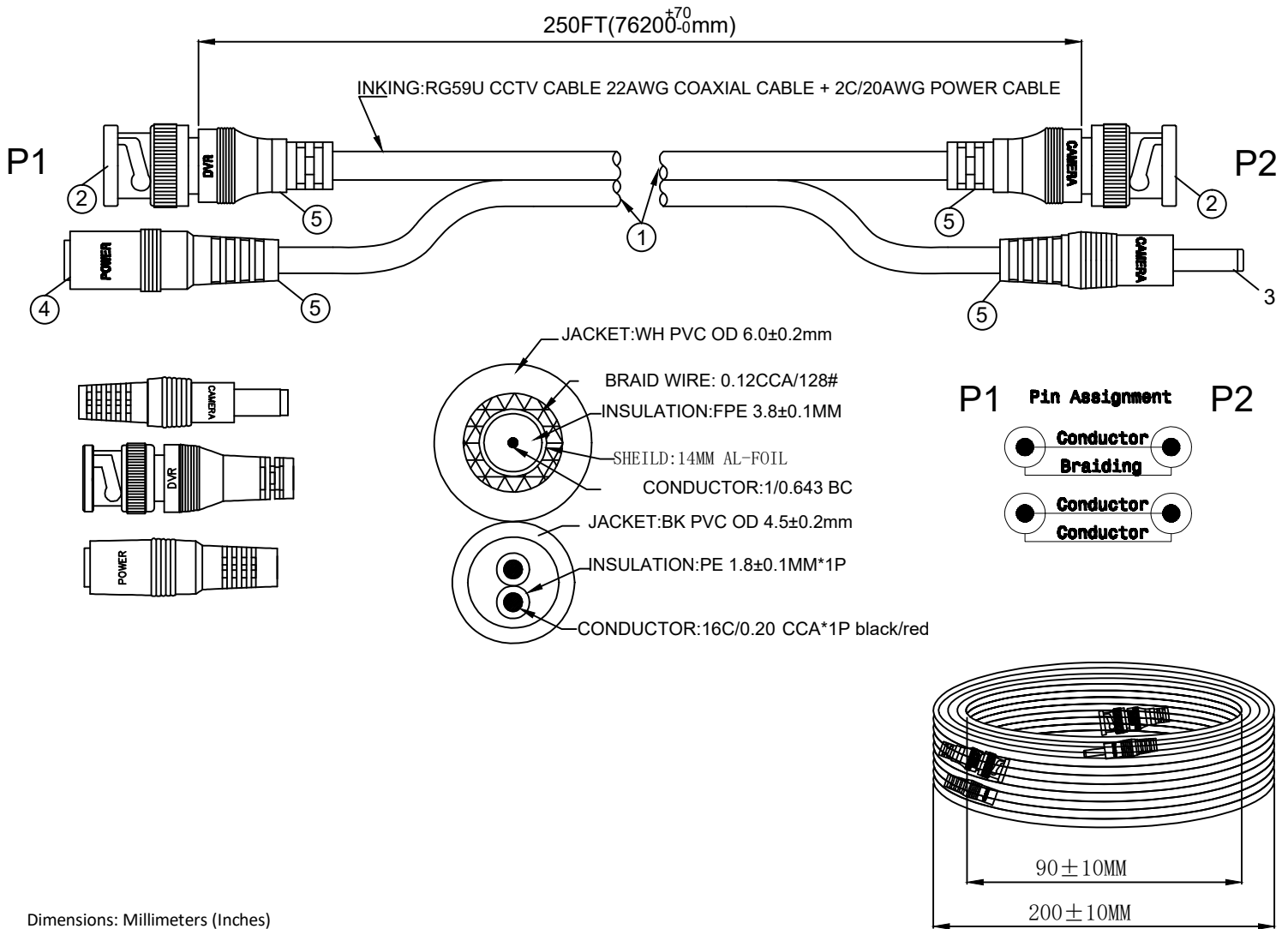
### Product Description

BNC Video and Power Double Shielded RG59 Cable for CCTV Security Systems provides low interference, low noise, and superior video quality. It provides the ability to connect your camera to a longer distance without loss of signal. It can be easily connected to your camera & surveillance DVR. It comes with double shielded RG-59 coaxial video wire, 22-gauge copper wire for clear Video and 20-gauge copper wire for power. It is compatible with most cameras with a BNC or RCA connection.

### General Specifications

Attribute	Value
Terminated/Unterminated	Terminated
Connector 1	BNC
Connector 2	BNC
Connector 3	2.1X5.5mm DC
Connector 4	2.1X5.5mm DC
Connector 1 Gender	Male
Connector 2 Gender	Male
Connector 3 Gender	Male
Connector 4 Gender	Female
Characteristic Impedance	75 Ω
Video Cable gauge	22 AWG
Power Cable gauge	20 AWG
Length	76.2m
Voltage Rating	300 V ac

## Product Drawing



Dimensions: Millimeters (Inches)

### Part Number Table

Part Number	Description
R1502BD-F	50FT Premade RG59+2C Video Power Cable, Plug & Play
R3002BD-F	100FT Premade RG59+2C Video Power Cable, Plug & Play
R5002BD-F	150FT Premade RG59+2C Video Power Cable, Plug & Play
R6102BD-F	200FT Premade RG59+2C Video Power Cable, Plug & Play
R7602BD-F	250FT Premade RG59+2C Video Power Cable, Plug & Play
R1002BD-F	300FT Premade RG59+2C Video Power Cable, Plug & Play

Important Notice: This data sheet and its contents (the "Information") belong to the members of the EASE group of companies (the "Group") or are licensed to it. No license is granted for the use of it other than for information purposes in connection with the products to which it relates. No license of any intellectual property rights is granted. The Information is subject to change without notice and replaces all data sheets previously supplied. The Information supplied is believed to be accurate, but the Group assumes no responsibility for its accuracy or completeness, any error in or omission from it or for any use made of it. Users of this data sheet should check for themselves the Information and the suitability of the products for their purpose and not make any assumptions based on information included or omitted. Liability for loss or damage resulting from any reliance on the Information or use of it (including liability resulting from negligence or where the Group was aware of the possibility of such loss or damage arising) is excluded. This will not operate to limit or restrict the Group's liability for death or personal injury resulting from its negligence. EASE is the registered trademark of Ease Electronics Co., Limited 2019.