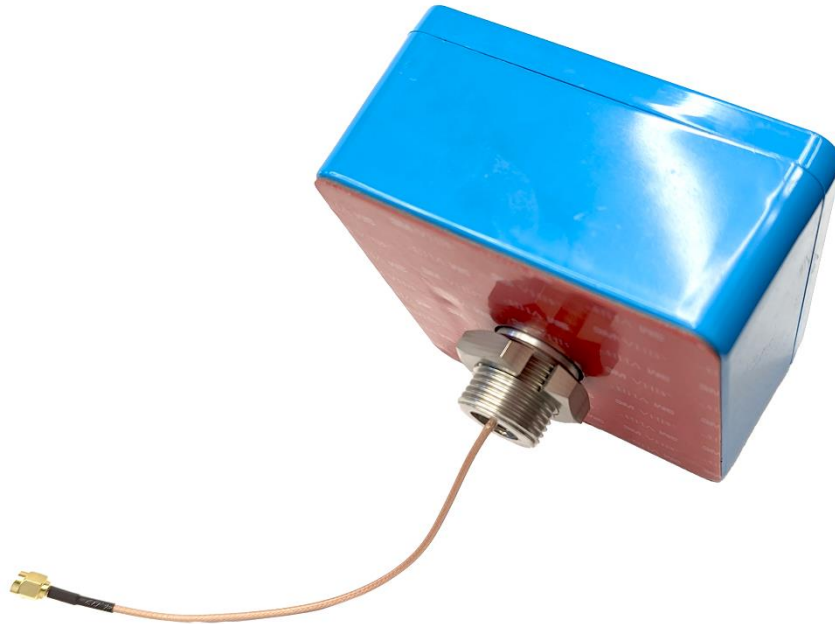
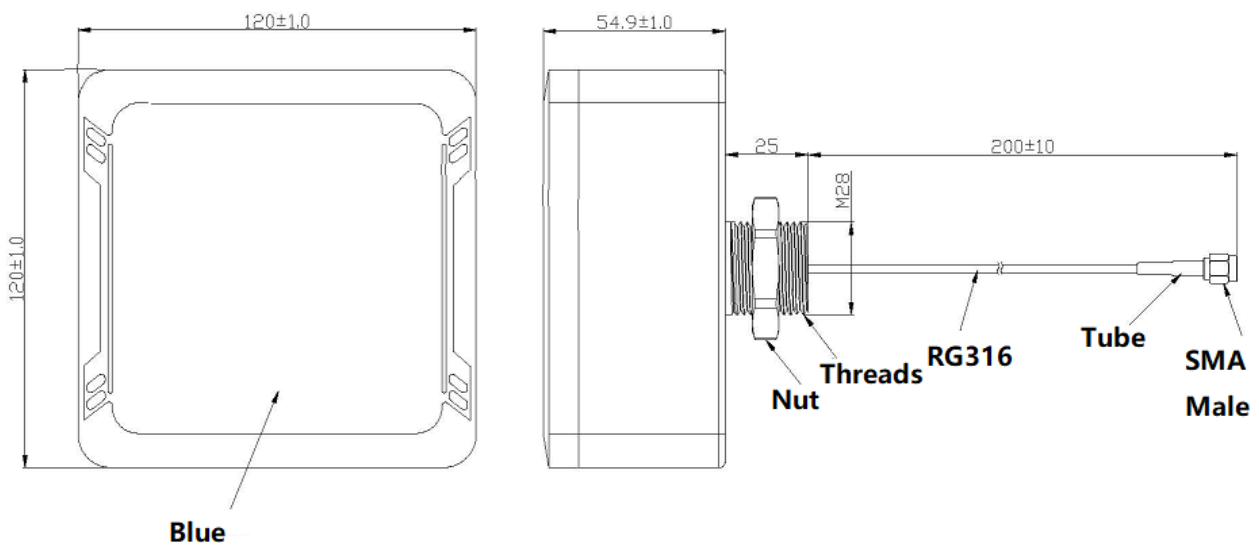


# Maswell WiFi 2.4GHz RHCP High Gain for Drone Vehicles Screw Mount

AN. W. 2400. RHCP. AG50



## Mechanical dimension



# Maswell WiFi 2.4GHz RHCP High Gain for Drone Vehicles Screw Mount

AN. W. 2400. RHCP. AG50

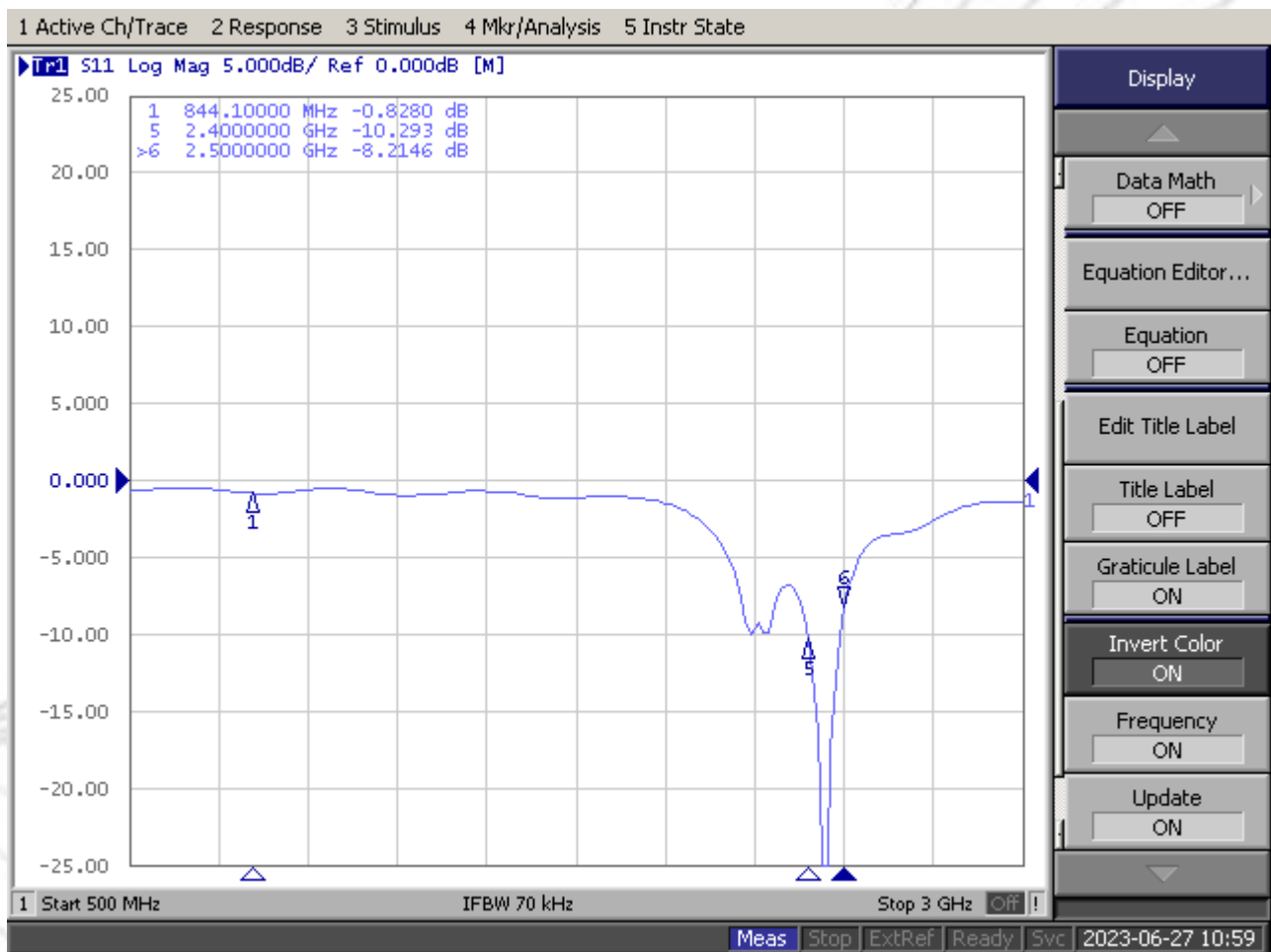
## Specifications

Item	Specifications	
Antenna	Center Frequency	2400MHz~2483MHz
	Polarization	RHCP
	Gain	6dBic (zenith)
	V.S.W.R	<1.5
	Impedance	50Ω
	Axial ratio	4dB (average)
	Dimension	120mm*120mm*55mm
Mechanical	Cable	RG316 20cm
	Connector Type	SMA Male
Environmental	Operating Temperature	-40°C~+85°C
	Storage temperature	-40°C~+85°C
	Ingress Protection	IP65
	Relative Humidity	Up to 95%
	Vibration	10 to 55Hz with 1.5mm amplitude 2hours
	Environmentally Friendly	ROHS Compliant

# Maswell WiFi 2.4GHz RHCP High Gain for Drone Vehicles Screw Mount

AN. W. 2400. RHCP. AG50

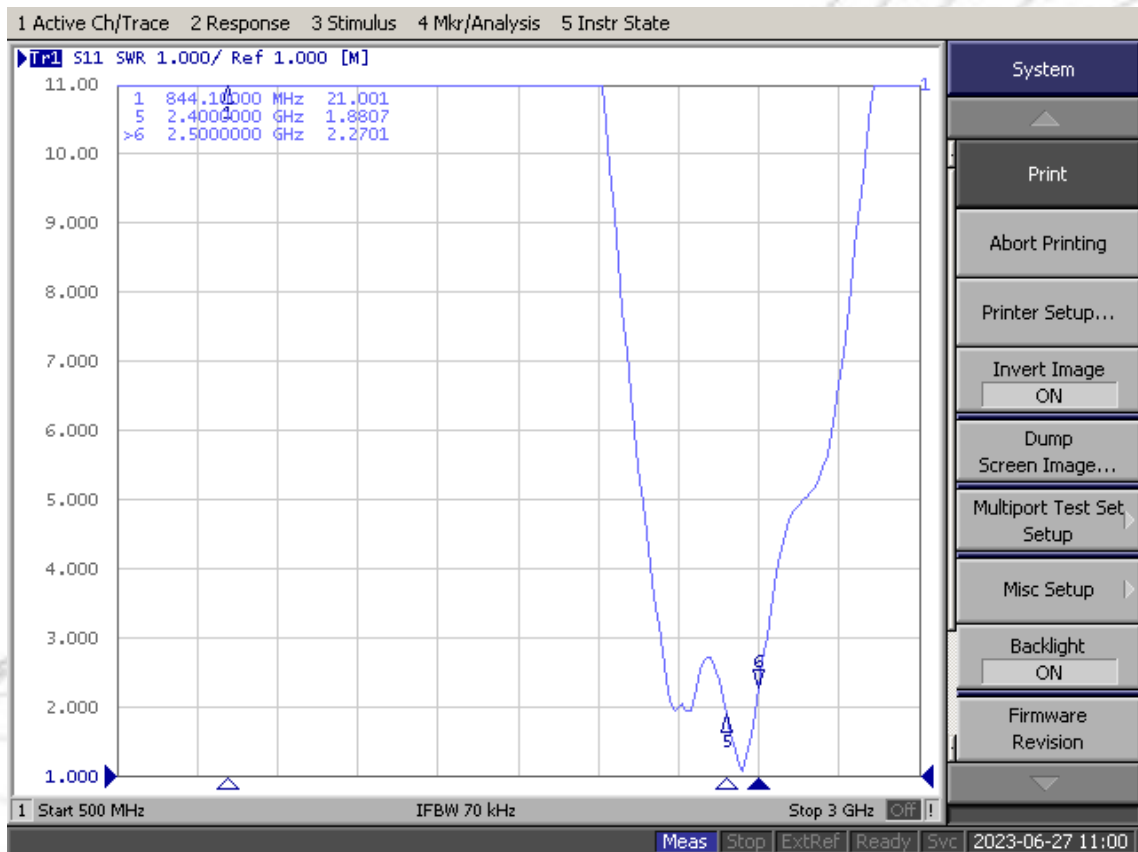
## Measured results S11



# Maswell WiFi 2.4GHz RHCP High Gain for Drone Vehicles Screw Mount

AN. W. 2400. RHCP. AG50

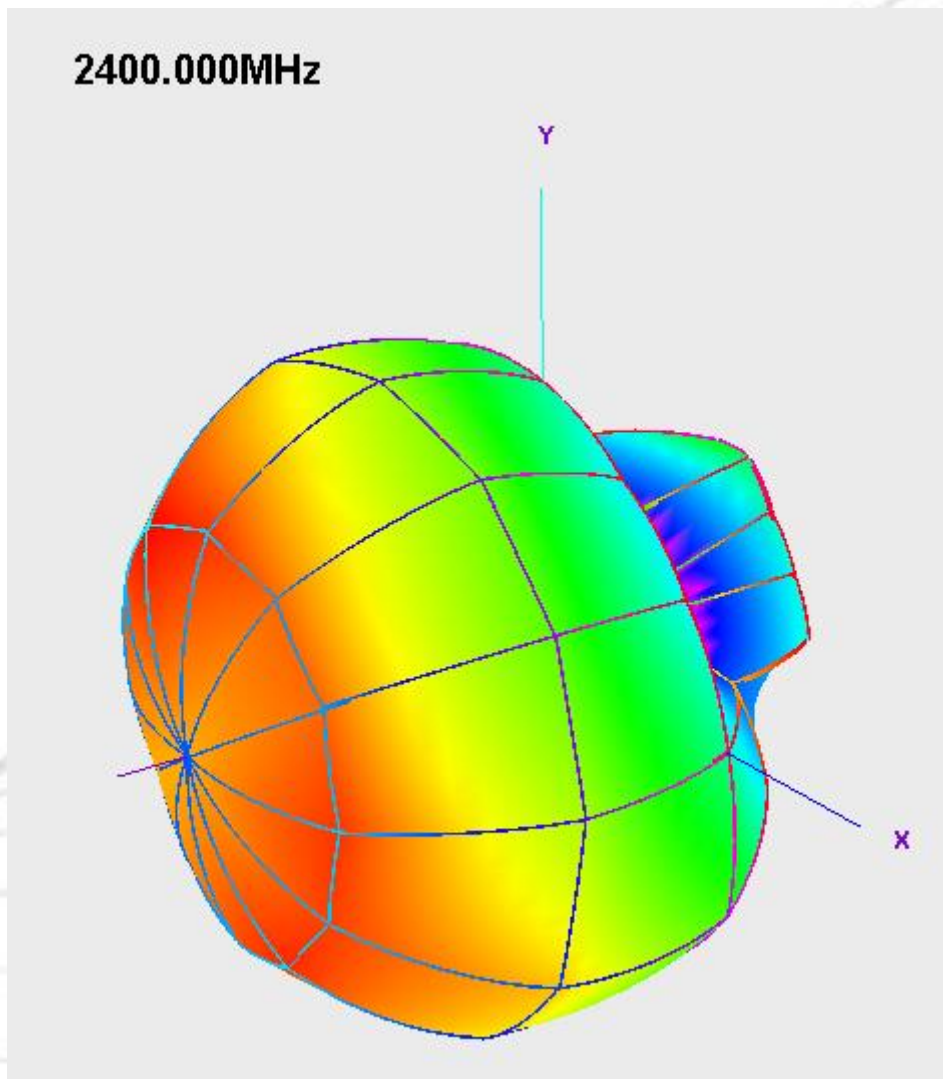
## Measured results VSWR



# Maswell WiFi 2.4GHz RHCP High Gain for Drone Vehicles Screw Mount

AN. W. 2400. RHCP. AG50

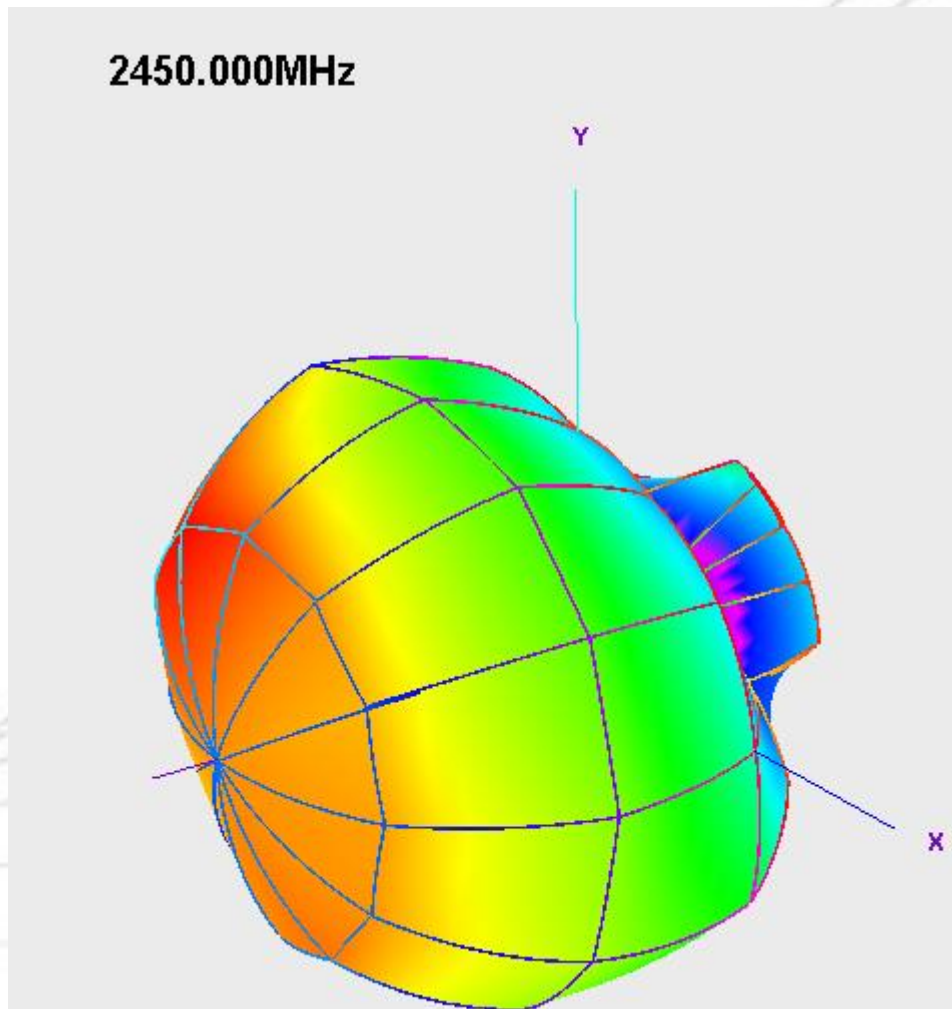
## Measured Pattern



# Maswell WiFi 2.4GHz RHCP High Gain for Drone Vehicles Screw Mount

AN. W. 2400. RHCP. AG50

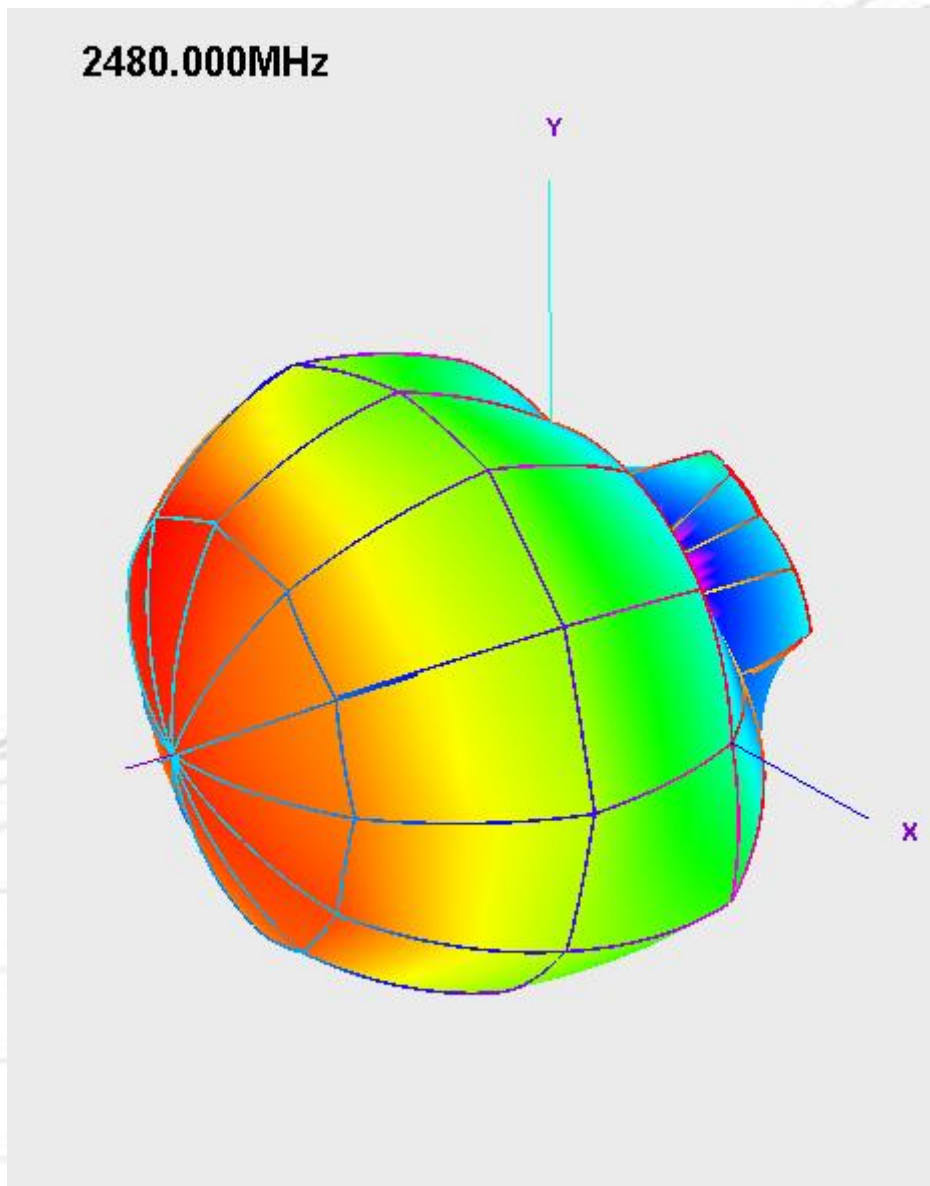
## Measured Pattern



# Maswell WiFi 2.4GHz RHCP High Gain for Drone Vehicles Screw Mount

AN. W. 2400. RHCP. AG50

## Measured Pattern



# Maswell WiFi 2.4GHz RHCP High Gain for Drone Vehicles Screw Mount

AN. W. 2400. RHCP. AG50

## Antenna Circular Polarization Axis Ratio

