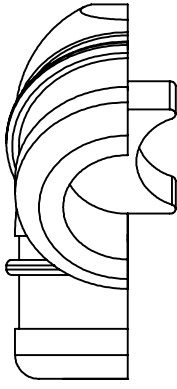
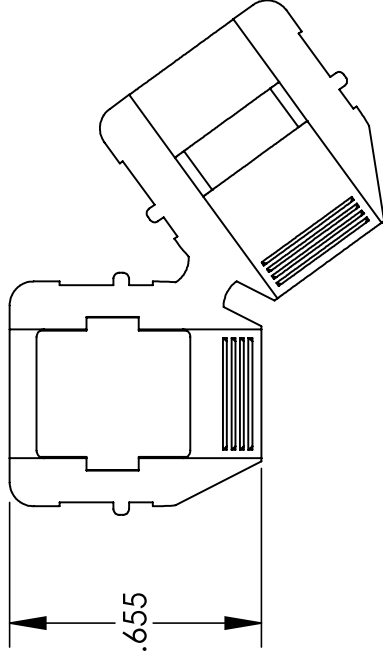
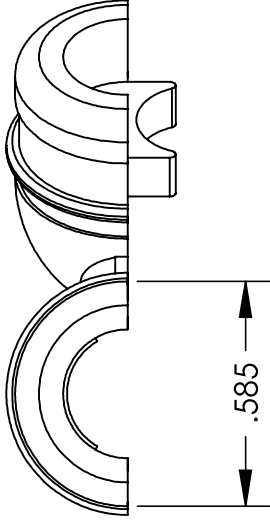
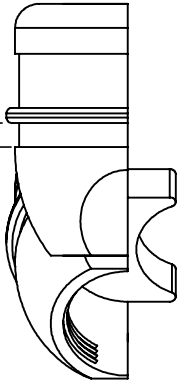


**UNCONTROLLED DOCUMENT**

← → .062



**TOLERANCES UNLESS NOTED**

- ±.005 ON DIMENSIONS THRU .625
- ±.008 ON DIMENSIONS .626 THRU 1.000
- ±.010 ON DIMENSIONS 1.001 THRU 1.500
- ±.015 ON DIMENSIONS LARGER THAN 1.500
- ±.015 ON FRACTIONAL DIMENSIONS

**WE RESERVE THE RIGHT TO DISCONTINUE ITEMS, CHANGE SPECIFICATIONS OR DESIGN AT ANY TIME WITHOUT NOTICE AND WITHOUT INCURRING ANY OBLIGATIONS**

PROPERTY OF

**MICRO PLASTICS INC.**

CATALOG DRAWING  
"EZ" STRAIN RELIEF BUSHINGS  
MICRO P/N 23MP06N34EZ  
DWG. # 23MP06N34EZ  
FILE SERVER\ENG\WEB

MATERIAL: NYLON 6/6; BLACK

DATE: SCALE 2:1

**SD**