

# LODESTONE PACIFIC

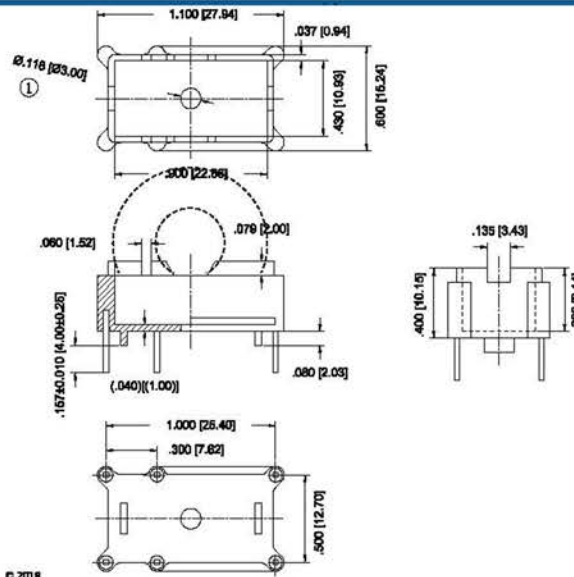


Phone: (800) 694-8089  
www.lodestonepacific.com  
E-mail: sales@lodestonepacific.com

## TM900-6

**Material:** GFN Natural  
**UL Rating:** UL94-VO, Class F  
**6 Terminals:** CP Wire  
.030 (.76mm) square, 100% Tin Plate.  
**Solderability:** Per MIL-STD-202  
Method 208  
**Packaging Tray:** Bulk in Polybags  
**Application:** For vertical mounting of  
wound toroids up to .90 inches in  
diameter requiring up to 6 terminations.

Made in our China Factory



NEW

$\pm .010$  inches  
[mm] Not to Scale

[Request a Sample](#)

[View Inventory](#)

[Request a Quote](#)

[Toroid Mount Selector](#)

[REACH Database](#)

[Coil Winder Database](#)