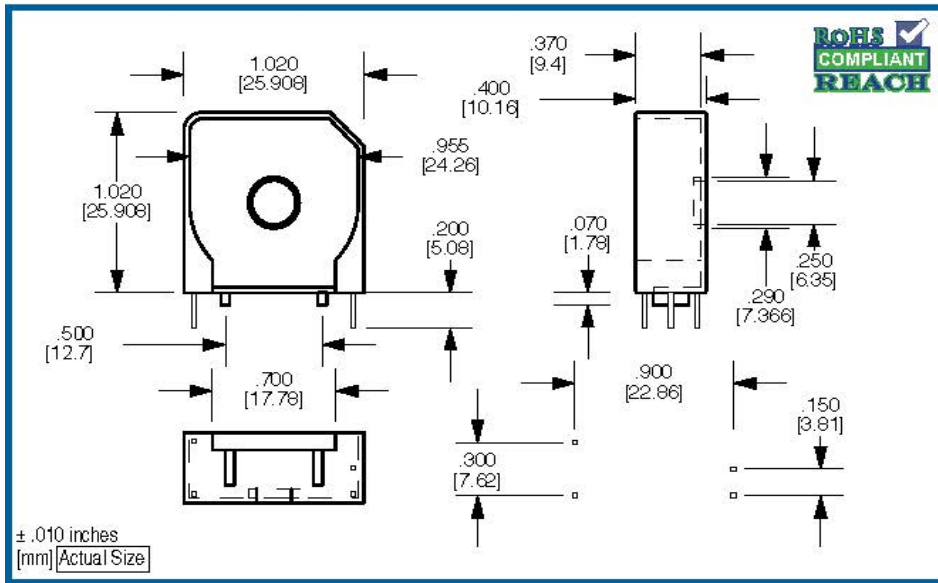


LODESTONE PACIFIC



Phone: (800) 694-8089
www.lodestonepacific.com
E-mail: sales@lodestonepacific.com



VTM955-4

Material: GFN (Natural)
UL Rating: UL94-VO, Class F
4 Terminals: CP Wire
.026 (66mm) x .26 (66mm) 100% Tin Plate.
Solderability: Per MIL-STD-202 Method 208
Package Method: Bulk in Poly Bags
See RoHS compliant PVC packaging trays on page 57.
Application: For vertical mounting of wound toroids up to .955 inches in diameter.

Made in our China Factory

[Request a Sample](#)

[View Inventory](#)

[Request a Quote](#)

[Toroid Mount Selector](#)

[REACH Database](#)

[Coil Winder Database](#)