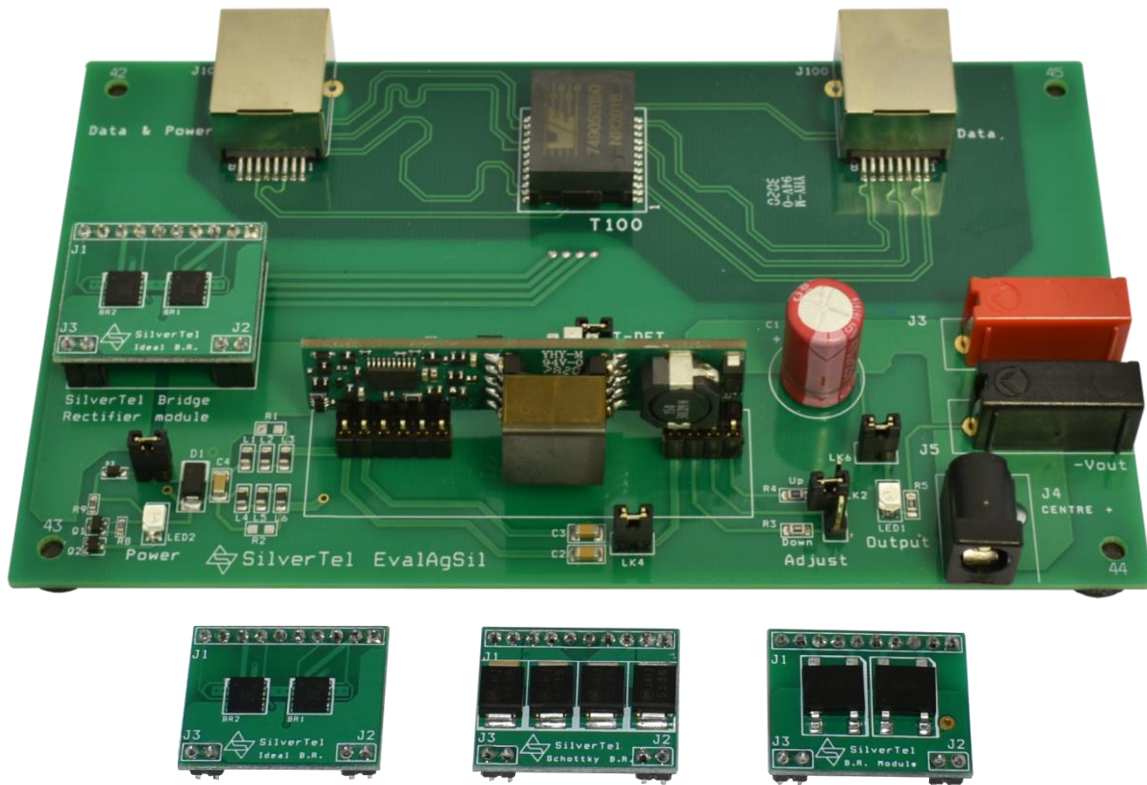




Evaluation Board User Manual



EvalAgSil Evaluation Kit User Manual

Version 1.0 – October 2020

Table of Contents

1	Kit Contents	3
2	Introduction	3
3	Board Layout	3
3.1	Link Settings	3
3.2	Compatible models.....	4
4	Input	4
4.1	Diode Bridge Selection.....	4
4.2	Input Signature	5
4.3	PSE Detect	5
4.4	Output.....	5
4.4.1	Output Adjust	6
4.5	Data Output	6
5	Operation	7
5.1	LED output	7
5.2	EMI	7
6	Test Setup	8
6.1	Data Throughput	8
7	Additional information	8
8	Schematic	9
9	Bill of Materials	10

Table of Figures

Figure 1:	EvalAgSil Board Layout.....	3
Figure 2	Basic Test Setup	8

1 Kit Contents

- EvalAgSil Evaluation Board
- Bridge Rectifier Module
- Schottky Bridge Rectifier Module
- Ideal Bridge Rectifier Module

2 Introduction

This manual is intended to be a guide to using the “EvalAgSil Evaluation Board” with one of Silvertel’s SIL (Single-In-Line) footprint PD (Powered Device) modules. The board is designed to handle 10/100/1000/10GBASE-T Ethernet data rates.

This board has been designed to assist with evaluating the use of Silvertel's SIL format modules in an application; as such it has been design to pass through Ethernet data signals (10/100/1000/10GBASE-T) from the Midspan PSE (Power Sourcing Equipment) or PoE enabled switch connected to J100, onto the system connected to J101.

3 Board Layout

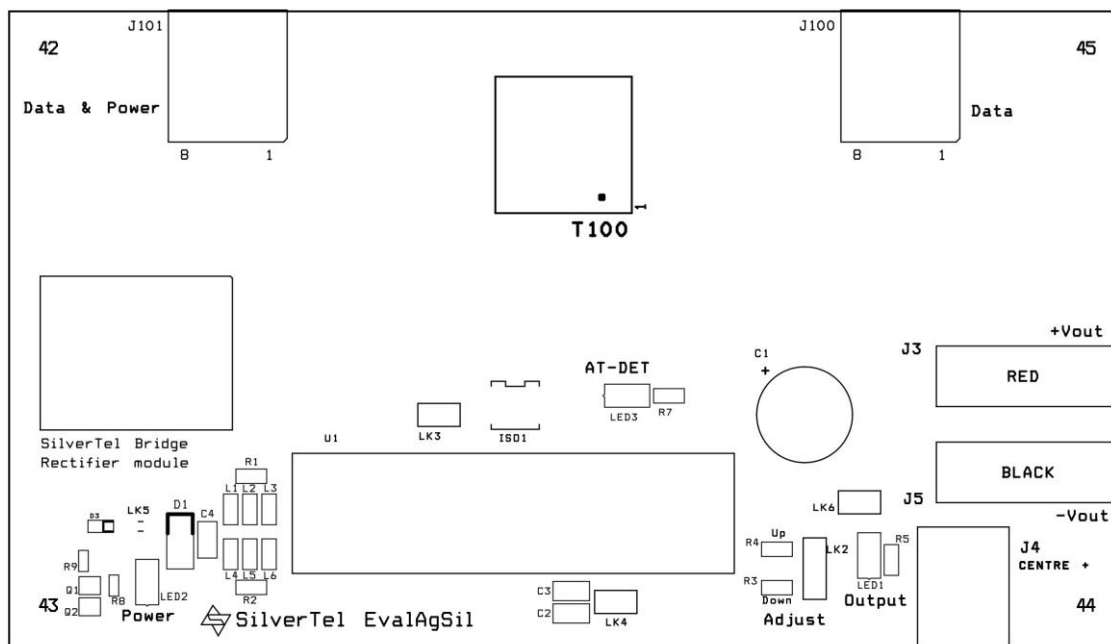


Figure 1: EvalAgSil Board Layout

3.1 Link Settings

- LK2 – Output Adjust Select
- LK3 – AT-DET LED Enable
- LK4 – ‘V’ cap Enable
- LK5 – Input Power LED Enable
- LK6 – Output Power LED Enable

3.2 Compatible models

Series	power Class	Variant	Voltage (V)	notes
Ag5400	4	Ag5405	5	
		Ag5412	12	
		Ag5424	24	
Ag5300	4	Ag5300	12	
		Ag5305	5	
		Ag5324	24	
Ag9200	3	Ag9205	5	Class Programming Is fixed to Class 0 Output Volatge Down Adjust Limited by default
Ag9700	3	Ag9703-S	3	Ag9700-2BR and Ag9700-FL models are not compatible Output Volatge Down Adjust Limited by default
		Ag9705-S	5	
		Ag9712-S	12	

4 Input

One of Silvertel's PD modules fitted to the EvalAgSil evaluation board will present a valid signature and classification request to an IEEE compliant PSE through its RJ45 connector J101.

4.1 Diode Bridge Selection

The EvalAgSil has the option to fit different bridge rectifier technologies. Supplied with the EvalAgSil are three bridge rectifier modules for evaluating the losses involved when using different rectifier technologies:

- Bridge Rectifier Module – featuring 2x DF01S bridge rectifiers
- Schottky Bridge Rectifier Module – featuring 8x SS36 Schottky rectifier diodes
- Ideal Bridge Rectifier Module - featuring 2x FDMQ8205A MOSFET bridge rectifiers

A simple method of utilising the most power output on a PoE system is to reduce the losses involved in the rectification. Rectification is required to enable the PD to be insensitive to the polarity of the power on the pairsets in a PoE system.

Schottky rectifiers are an improvement over conventional bridge rectifiers due to their lower forward voltage drop, a greater improvement can be made by switching to an active bridge rectifier topology.

The chosen bridge rectifier module should inserted into to EvalAgSil board using the two 2 pin and one 10 pin headers on the left hand side of the board before power is supplied to the board.

Pairsets	Mode A		Mode B	
Pairs	Pair 1	Pair 2	Pair 3	Pair 4
Conductor	1 and 2	3 and 6	4 and 5	7 and 8
	Valid 2-pair configurations			
	P	N	—	—
	N	P	—	—
	—	—	P	N
	—	—	N	P
	P	N	P	—
	P	N	—	P
	N	P	P	—
	N	P	—	P
	P	—	P	N
	—	P	P	N
	P	—	N	P
	—	P	N	P
	Valid 4-pair configurations			
	N	P	N	P
	N	P	P	N
	P	N	N	P
	P	N	P	N
N denotes a pair connected to negative potential P denotes a pair connected to positive potential — denotes a pair not connected to a supply rail				

4.2 Input Signature

The EvalAgSil board will automatically direct the power from J101 through the bridge rectifier module to the input of the Silvertel module fitted into U1.

This module will provide a 25K signature required to be powered from an IEEE compliant PSE.

The EvalAgSil has been designed to be powered by any compliant IEEE802.3 PSE such as Silvertel's Ag6120 PSE module.

4.3 PSE Detect

When U1 on the EvalAgSil board has been populated with a module that contains an 'AT-DET' feature, and it has detected it is being powered by an IEEE802.3 type 2 or greater PSE, the 'at Flag' pin will be pulled low, and this will cause LED3 to become illuminated on the EvalAgSil board.

4.4 Output

The output voltage will be present on both the DC10 connector, J4 and the banana plug terminals J3 and J5. J3 and the centre pin of J4 are the positive outputs, with the outer ring of J4 and J5 being the negative output.

4.4.1 Output Adjust

By default the nominal output voltage of the fitted module will be present on the output connectors. This can be adjusted up or down using the adjust connector, LK2.

The EvalAgSil is fitted with two adjust resistors. The down adjust resistor R3, is fitted with a 68k Ω resistor. And the up adjust resistor R4, which is fitted with a 0 Ω resistor. Depending on the module fitted the down adjust resistor, R3 may have to be replaced with a different value in order to provide the full down adjust stated in the corresponding datasheet.

To increase the output voltage, insert a jumper to LK2 in the upper position, so that the link is between the middle and upper pin.

To reduce the output voltage, insert a jumper to LK2 in the lower position, so that the link is between the middle and lower pin.

If the output voltage needs to be set to a different value (within the adjustment range) then connect different value resistors in place of R3 (0 Ω) or R4 (68K) and connect the jumper into the corresponding link setting.

Note: ensure that the down adjust resistor is not shorted when connecting a module that has a higher stated resistance in the datasheet, as this could cause damage to the module.

4.5 Data Output

Any data that is provided over the PI (Ethernet cable) connected to the Data & Power port, J100 will be transposed onto the Data output port, J101 via the data transformer.

The data traces on the evaluation board have been designed to pass through 10/100/1000/10GBASE-T Ethernet data signals. No processing or amplification of this signal will be performed on the evaluation board

5 Operation

To ensure that the PSE does not apply power to a non-PoE enabled device the output port first checks for a valid PoE signature. If the PSE does not see a valid signature then it will disconnect, wait approximately 2 seconds then try again. Once a valid signature has been detected the PSE will then perform classification to determine the power requirement of the PD, only after this has occurred will the PSE supply power to the powered device.

5.1 LED output

There are three LEDs fitted to the EvalAgSil board, each of these can be disabled by removing the associated link jumper.

Name	Location	Enable Link	Description
Output	LED1	LK6	Illuminates with 3-30Vdc across the output
Power	LED2	LK5	Illuminates with 33-58Vdc across the output of the bridge rectifier module
AT-DET	LED3	LK3	Illuminates when a Type 2 or greater PSE is detected

5.2 EMI

The EvalAgSil contains many of the recommended components for preliminary EMI testing of an application.

'V' capacitors, C2 & C3, can be enabled by inserting a jumper on to LK4.

The board is fitted with ferrite beads, L1-6; if these are not required they can be effectively removed from the circuit by fitting R1 and R2 with 0Ω resistors.

With some of the newer Silvertel module designs an additional EMI filtration method is to fit a 68nF capacitor to C4. Silvertel recommend that this capacitor is rated to 250V so that it retains more of the rated capacitance in the operating voltage range.

6 Test Setup

Figure 2 shows the basic set up using the EvalAgSil evaluation board powered by Silvertel's EvalAg6120 PSE.

The equipment required: -

- EvalAgSil fitted with compatible Silvertel PD Sil Module.
- EvalAg6120 or other IEEE802.3 compliant PSE
- Power supply unit, +44-57V output e.g. 60V bench power supply
- CAT5e or greater cables
- Application Circuit

Optional equipment: -

- Data source e.g. PC

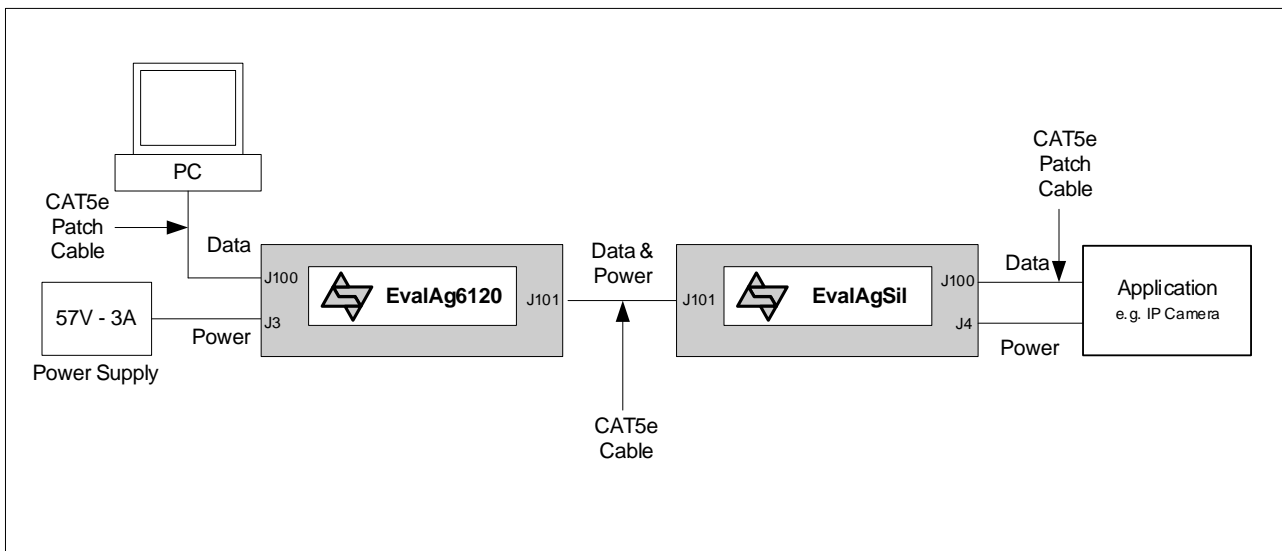


Figure 2 Basic Test Setup

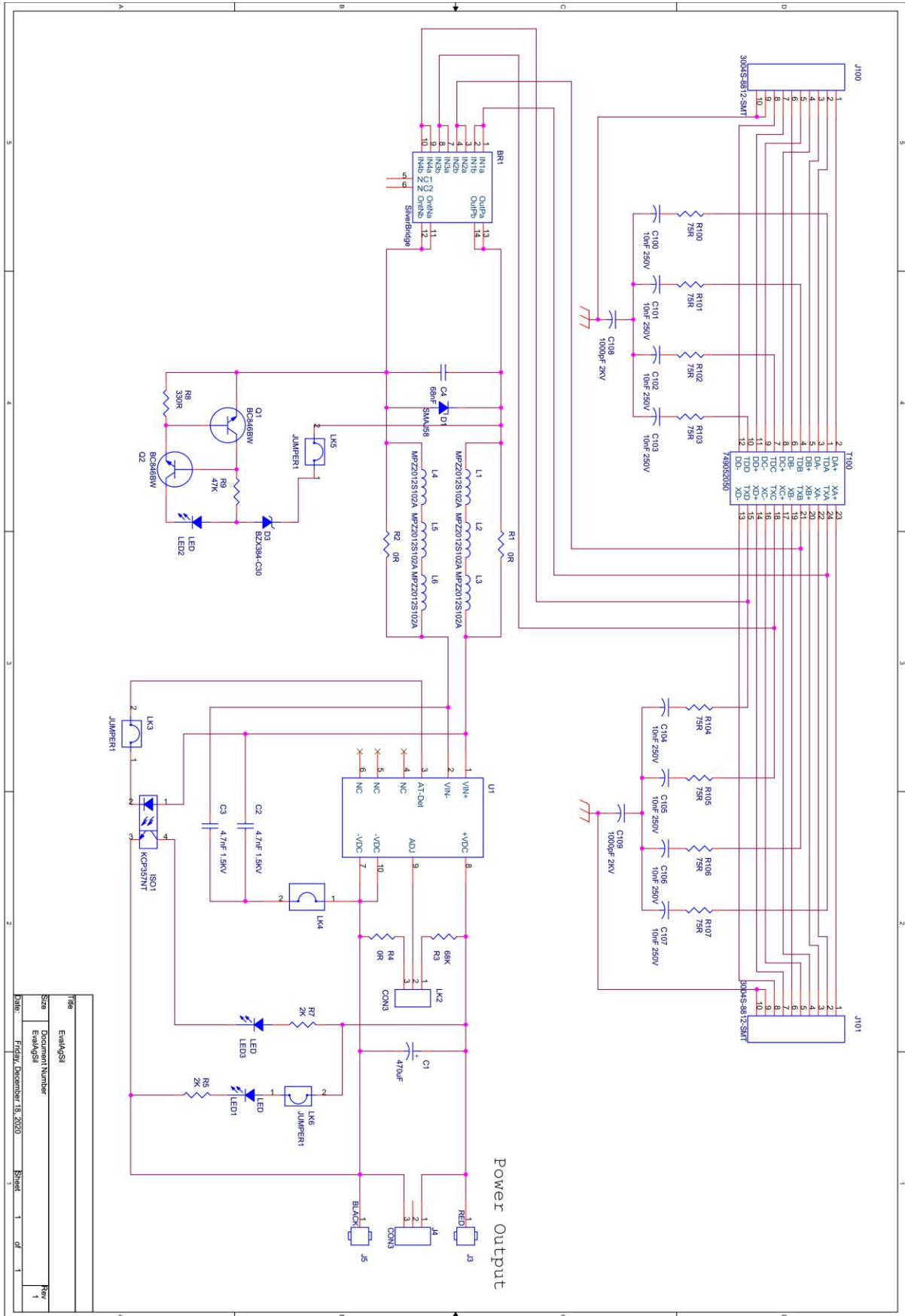
6.1 Data Throughput

To pass data via the Evaluation boards, the data input (e.g. Internet) can be connected to J100 on the EvalAg6120 Board using a cat5e cable. The data is then passed through the data transformer, where power is added and sent out via connector J101 of the EvalAg6120 Board. The Data and power is extracted through J101 of the EvalAgSil board and then divided into its separate power and data through the data transformer. The data output is then available from J100 of the EvalAgSil Board, which can then be connected to the application device.

7 Additional information

Full operating conditions and features of the Silvertel module set can be found in the relevant product datasheet, available from www.silvertel.com.

8 Schematic



9 Bill of Materials

Silver Part No.	Description.	Value	Location:	Qty.	Package:	Rating:	Tol:	Supplier P.I.N.O.:	Comments:
	POE + PD Module	AgS400	U1	1	Custom	-	-	Silver Telecom Part	
	Bridge Rectifier Module	SilverTel Ideal Bridge	BR1	1	Custom	-	-	Silver Telecom Part	
	Bridge Rectifier Module	SilverTel Schottky Bridge	BR1	1	Custom	-	-	Silver Telecom Part	
	Bridge Rectifier Module	SilverTel Bridge	BR1	1	Custom	-	-	Silver Telecom Part	
	Protection Diode	SMAJ58A	D1	1	SMA	-	-	Vishay, ST Micro, Diodes Inc	
	Zener Diode	BZX384C30V	D3	1	SOD-323-2	-	-	Vishay	
	Transformer - Data	10G BaseT PoE+	T-100	1	SMT	-	-	Würth - 749052050	
	Ferrite Chip	z1000Q@100MHz	L1-L6	6	0805	≥ 1A	25%	TDK MP2201S102A, Würth 742792096	
	Transistor NPN	BC846BW	Q1, Q2	2	SOT323	-	-	Infinion, ON-Semi, NXP, Diodes Inc.	
	SM LED	RED LED	LED1,LED2,LED3	3	SMT	-	-	Würth - 150 141 RSZ 310 0	
	Opto-isolator	KPC357NT	ISO1	1	SMT	-	-	Cosmo Electronics Corp	
	Capacitor Electrolytic	470uF	C1	1	Through Hole	16V	20%	Kennel A750MS477M-EEAE015, Würth 860040475008	
	Ceramic multi-layer	4.7nF	C2,C3	2	1206	1.5kV	20%	Samsung N/C, TDK, Murata, Kennel & AVX	
	Ceramic multi-layer	68nF	C4	0	1206	250V	20%	Samsung N/C, TDK, Murata, Kennel & AVX	
	Ceramic multi-layer	10nF	C100-C107	8	0805	250V	20%	Samsung, N/C, TDK, Murata, Kennel & AVX	
	Ceramic multi-layer	1000pF 2kV	C108, C109	2	1206	2kV	20%	Samsung, N/C, TDK, Murata, Kennel & AVX	
	Resistor - 0805	0R	R1, R2	0	0805	125mW	1%	Royal Ohm, Eurohm & Yageo	
	Resistor - 0805	68k	R3	1	0805	125mW	1%	Royal Ohm, Eurohm & Yageo	
	Resistor - 0805	0R	R4	1	0805	125mW	1%	Royal Ohm, Eurohm & Yageo	
	Resistor - 0805	2k	R6, R7	2	0805	125mW	1%	Royal Ohm, Eurohm & Yageo	
	Resistor - 0803	330R	R8	1	0603	125mW	1%	Royal Ohm, Eurohm & Yageo	
	Resistor - 0803	47k	R9	1	0603	125mW	1%	Royal Ohm, Eurohm & Yageo	
	Resistor - 0805	75R	R100-R108	8	0805	125mW	1%	Royal Ohm, Eurohm & Yageo	
	Red Connector	4mm PCB Socket	J3	1	Through Hole	-	-	Hirschmann 973582100	
	DC Power Connector	DC-001	J4	1	Through Hole	-	-	Toby DC-001-B-2.5MMHR	
	Black Connector	4mm PCB Socket	J5	1	Through Hole	-	-	Hirschmann 973582101	
	Ethernet Connector	R445	J100, J101	2	SMT	-	-	Toby 3004S-8821-SMT	
	Link	2 Way	LK3,LK6	4	Through Hole	-	-	Toby LHCS-02S-R-080-034, Würth 6130021121	
	Link	3 Way	LK2	1	Through Hole	-	-	Toby LHCS-03S-R-080-034, Würth 6130031121	
	Link	6 Way	U1a	1	Through Hole	-	-	Toby SLW-106-01-G-S	
	Module Socket	4 Way	U1b	1	Through Hole	-	-	Toby SLW-104-01-G-S	
	Module Socket	10Way	BR1a	1	Through Hole	-	-	Toby SLW-110-01-G-S	
	Module Socket	2 Way	BR1b, BR1c	2	Through Hole	-	-	Toby SLW-102-01-G-S	
	PCB	Rev.1 - 83,79mm x 146,67 mm		1					
	Jumper Links	Links		5					
	Feet	Sticky Feet		4				Artik RF-022	
			Total	62					

EvalAgSil Eval Board - Rev.1 19th October 2020
 Strictly Private and Company Confidential

Date