

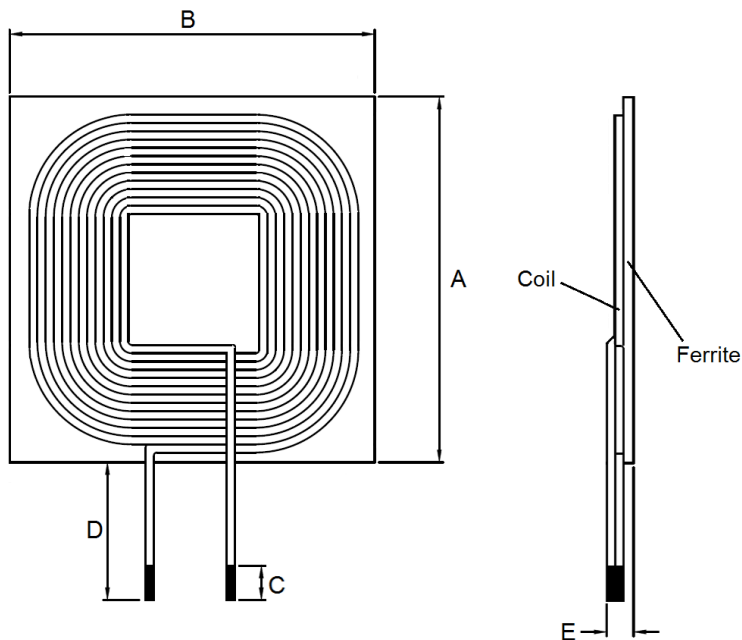
1. Part No. Expression:

STX555504100KMPA2

(a) (b) (c) (d) (e)

- a) Series Code
- b) Dimension Code
- c) Inductance Code
- d) Tolerance Code
- e) Qi Design Type Code

2. Configuration & Dimensions : (Unit: mm)



A	B	C	D	E
55.0±1.0	55.0±1.0	5.0 Ref.	47.0 Ref.	4.5 Max.

3. Schematic



NOTE: Specifications subject to change without notice. Please check our website for latest information.



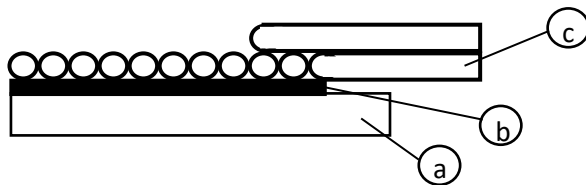
4. Electrical Characteristics:

Inductance (uH)	Test Frequency (Hz)	DCR (mΩ)	Irms (mA)
10±10%	1V/100K	80 Max.	6000 Max.

5. General Specification:

- a) Operating Temp: -40°C ~ +85°C
- b) Storage Temp: -40°C ~ +85°C (packaging).
- c) Irms: Based on temp. rise up to 40°C Max.
- d) Power Rating: 15W
- e) Compatible to Qi standard MP-A2 design.

6. Material List:



- a) Ferrite Sheet (MnZn)
- b) Adhesive
- c) Wire

NOTE: Specifications subject to change without notice. Please check our website for latest information.