

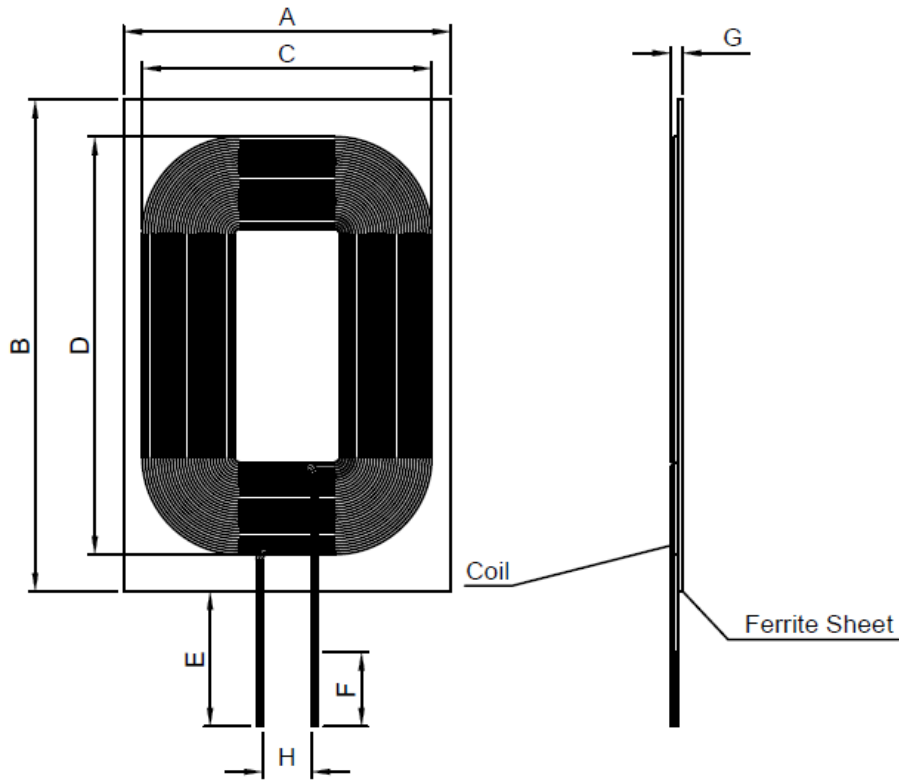
1. Part No. Expression:

S R X 3 2 4 8 0 1 1 2 0 K B A

(a) (b) (c) (d)(e)

- a) Series Code d) Tolerance Code
- b) Dimension Code e) Winding Code
- c) Inductance Code

2. Configuration & Dimensions: (Unit-mm)



A	B	C	D	E	F	G	H
32.0±0.5	48.0±0.5	31.0 Ref	41.2 Ref	25.0±2.0	5.0±2.0	1.5 Max	5.0 Ref

NOTE: Specifications subject to change without notice. Please check our website for latest information.

3. Schematic:



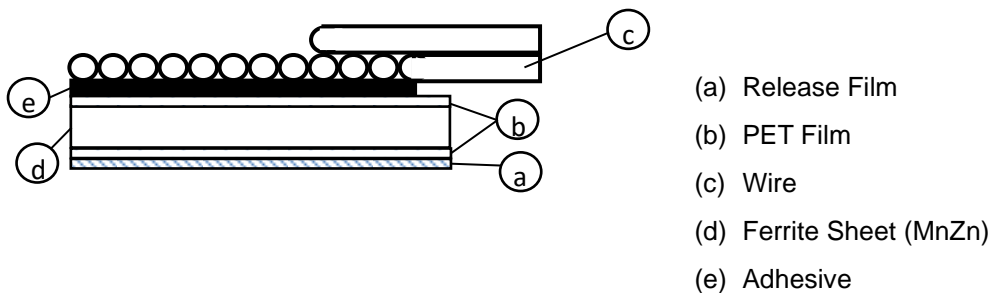
4. Electrical Characteristics:

Inductance (uH)	Test Frequency (Hz)	DCR (mΩ)	I _{rms} (mA)
12.0±10%	1V/100K	200 Max.	3000 Max.

5. General Specifications:

- a) Operating Temp.: -40°C ~ +85°C
- b) Storage Temp.: -40°C ~ +85°C (packaging)
- c) I_{rms}: Based on temp. rise up to 40°C Max.
- d) Power Rating: 5W

6. Material List:



NOTE: Specifications subject to change without notice. Please check our website for latest information.