

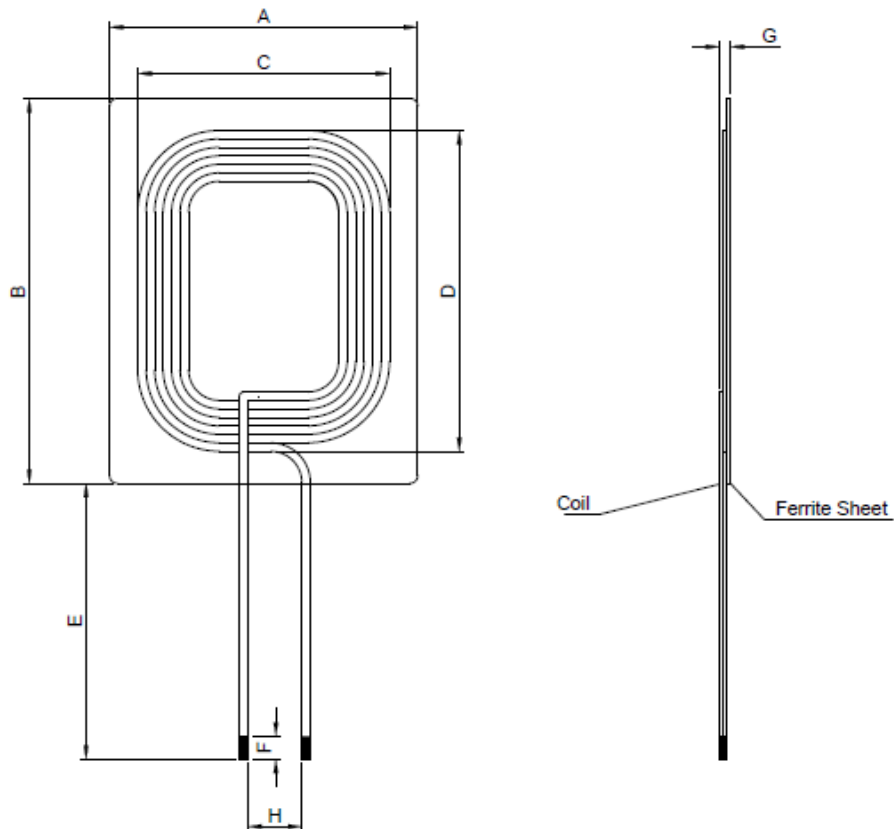
1. Part No. Expression:

S R X 3 2 4 5 0 1 1 4 0 K S

(a) (b) (c) (d)(e)

- a) Series Code d) Tolerance Code
- b) Dimension Code e) Winding Code
- c) Inductance Code

2. Configuration & Dimensions: (Unit-mm)



A	B	C	D	E	F	G	H
32.0 Max	45.0 Max	29.0 Ref	36.3 Ref	27.0±2.0	5.0±2.0	1.7 Max	5.0 Ref

NOTE: Specifications subject to change without notice. Please check our website for latest information.

3. Schematic:



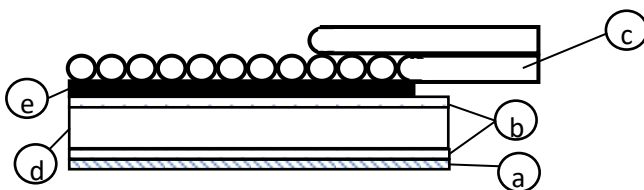
4. Electrical Characteristics:

Inductance (uH)	Test Frequency (Hz)	DCR (mΩ)	I _{rms} (mA)
14.0±10%	1V/100K	355 Max.	1200 Max.

5. General Specifications:

- a) Operating Temp.: -40°C ~ +85°C
- b) Storage Temp.: -40°C ~ +85°C (packaging)
- c) I_{rms}: Based on temp. rise up to 40°C Max.
- d) Power Rating: 5W

6. Material List:



- (a) Release Film
- (b) PET Film
- (c) Wire
- (d) Ferrite Sheet (MnZn)
- (e) Adhesive

NOTE: Specifications subject to change without notice. Please check our website for latest information.