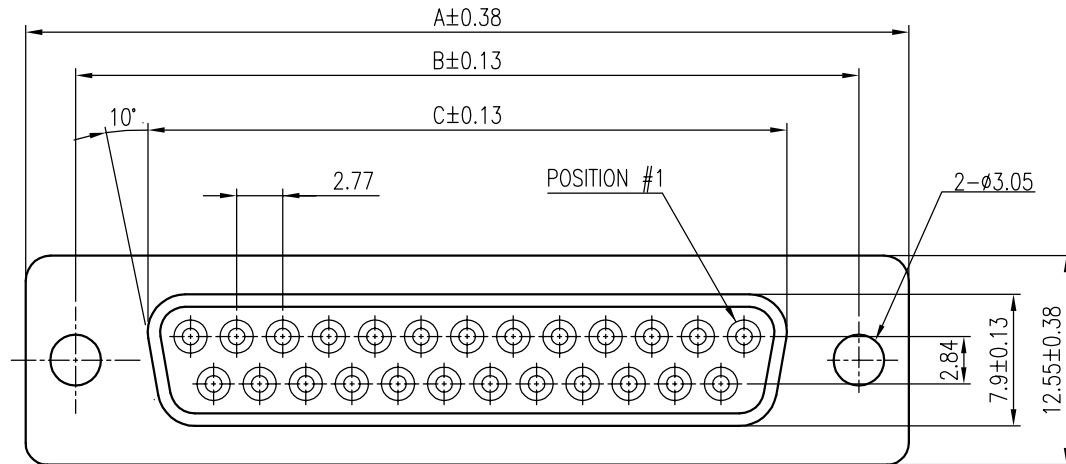


This document is the property of Amphenol Corporation and is delivered on the express condition that it is not to be disclosed, reproduced or used, in whole or in part, for manufacture or sale by anyone other than Amphenol Corporation without its prior consent, and that no right is granted to disclose or to use any information in this document.

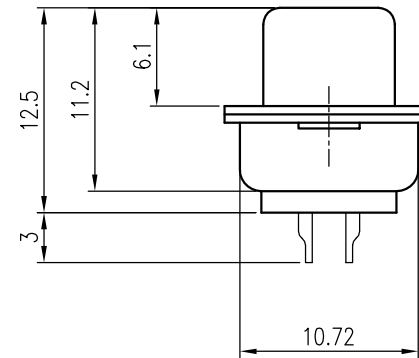
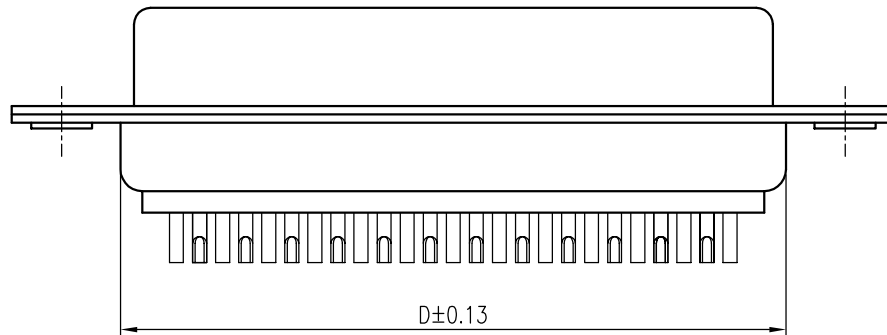
# CUSTOMER DRAWING ORIGINAL

REVISIONS				
SYM	ECN No.	DESCRIPTION	DATE	APPROVED
A		RELEASE FOR RoHS	07/08/2005	Henry Ko



**NOTES:**

- FRONT & REAR SHELL FINISH: TIN PLATED
- CONTACTS FINISH: SELECTIVE GOLD PLATED
- INSULATOR: PBT, GLASS FIBER FILLED, UL 94V-0, COLOR- BLACK
- THIS PRODUCT DOESN'T CONTAIN ENVIRONMENTAL HAZARDOUS MATERIALS PER DIRECTIVE 2002/95/EC FOR RoHS



TOLERANCE m/m	
x.	±0.30
x.x	±0.25
x.xx	±0.15
x.xxx	±0.08
ANGULAR	±2°
UNLESS OTHERWISE SPECIFIED	

PART NUMBERS	NO. OF CONTACTS	DIM. A	DIM. B	DIM. C	DIM. D	APPROVALS		DATE	TITLE	<b>Amphenol®</b> <b>Amphenol Corporation</b> <b>Amphenol East Asia Limited</b>						
						DRAWN	CHECKED									
G17S 090X 110 EU	9	30.84	24.99	16.24	19.28	Sondra Sang	<input type="checkbox"/>	07/08/05	G17S SERIES SOLDER-POT TERMINATION RECEPTACLE	SCALE N.A. SHEET 1 OF 1						
G17S 150X 110 EU	15	39.24	33.32	24.56	27.51	Laura Su	<input type="checkbox"/>	07/08/05								
G17S 250X 110 EU	25	53.04	47.04	38.38	41.30	Ken Lin for	<input type="checkbox"/>	07/08/05								
G17S 370X 110 EU	37	69.32	63.50	54.76	57.71											
							UNIT	MM	SIZE	A4	PART NO.	G17S XXOX 110 EU	DRAWING NO.	DSUB-G17SXXOX110EU-25	REV.	A