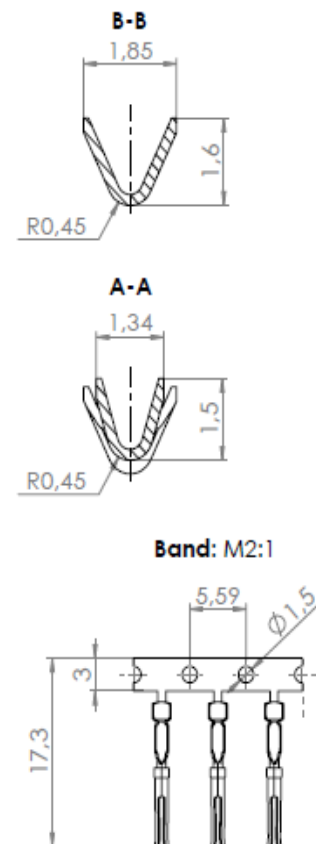
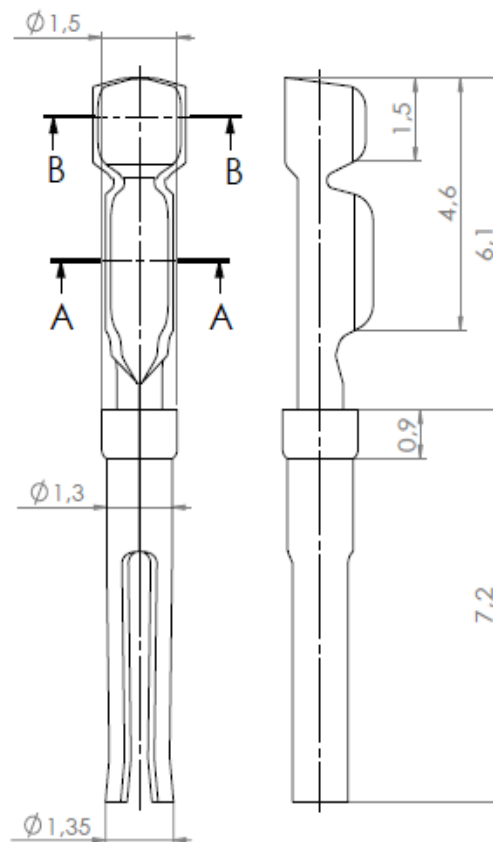


PIN

Material: Copper alloy
 Stamped crimp pin contact for wire size 24-28,
 plating 0.6 μm (25 microinches) Au over Ni.
 The contacts are selectively gold plated in the mating area.

1731120748	P110-06V-6098	300 pcs on one reel
1731120648	P110-06V-5876	2,000 pcs on one reel
1731120751	P110-06V-6103	10,000 pcs on one reel
SAP No.	FCT Part No.	Packing Unit (Stück)

RoHS compliant



SOCKET

Material: Copper alloy
 Stamped crimp socket contact for wire size 24-28,
 plating 0.6 μm (25 microinches) Au over Ni.
 The contacts are selectively gold plated in the mating area.

1731120749	S110-06V-6098	300 pcs on one reel
1731120254	S110-06V-5876	2,000 pcs on one reel
1731120750	S110-06V-6103	10,000 pcs on one reel
SAP No.	Part No.	Packing Unit (Stück)

RoHS compliant

Measurement without tolerance according to ISO 2768-m SCALE 10:1 TITLE HD Crimp contacts, stamped for wire size 24-28AWG		DWG. NO.	REV.
DRAWN tschneider01 19-06-2018 CHECKED sschref 19-06-2018 a mollex company		S110 / P110_D	1
1	REV.	DATE	CH.-NO.
ORIGINAL: DIN A3-DRAWING AS A FILE		REPLACEMENT FOR:	PAGES 1