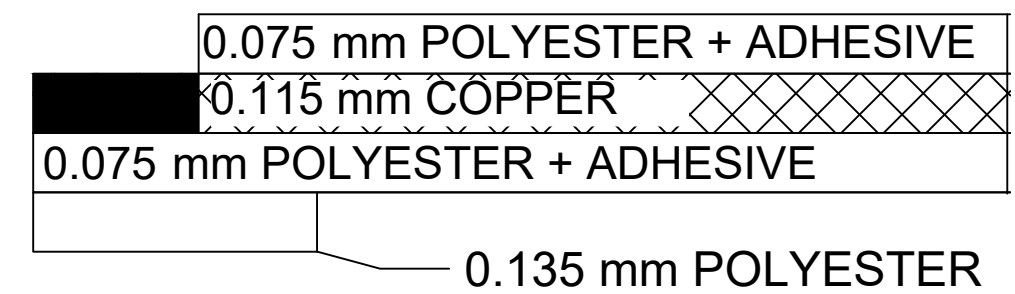
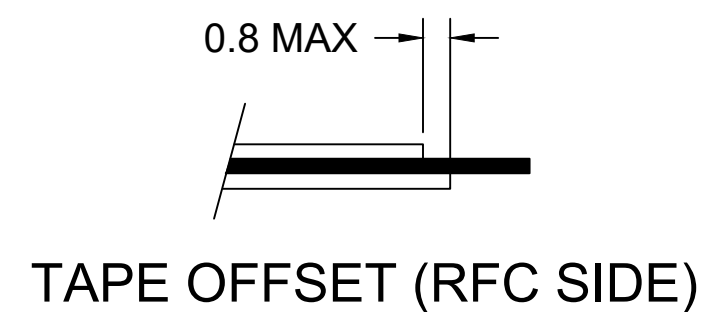
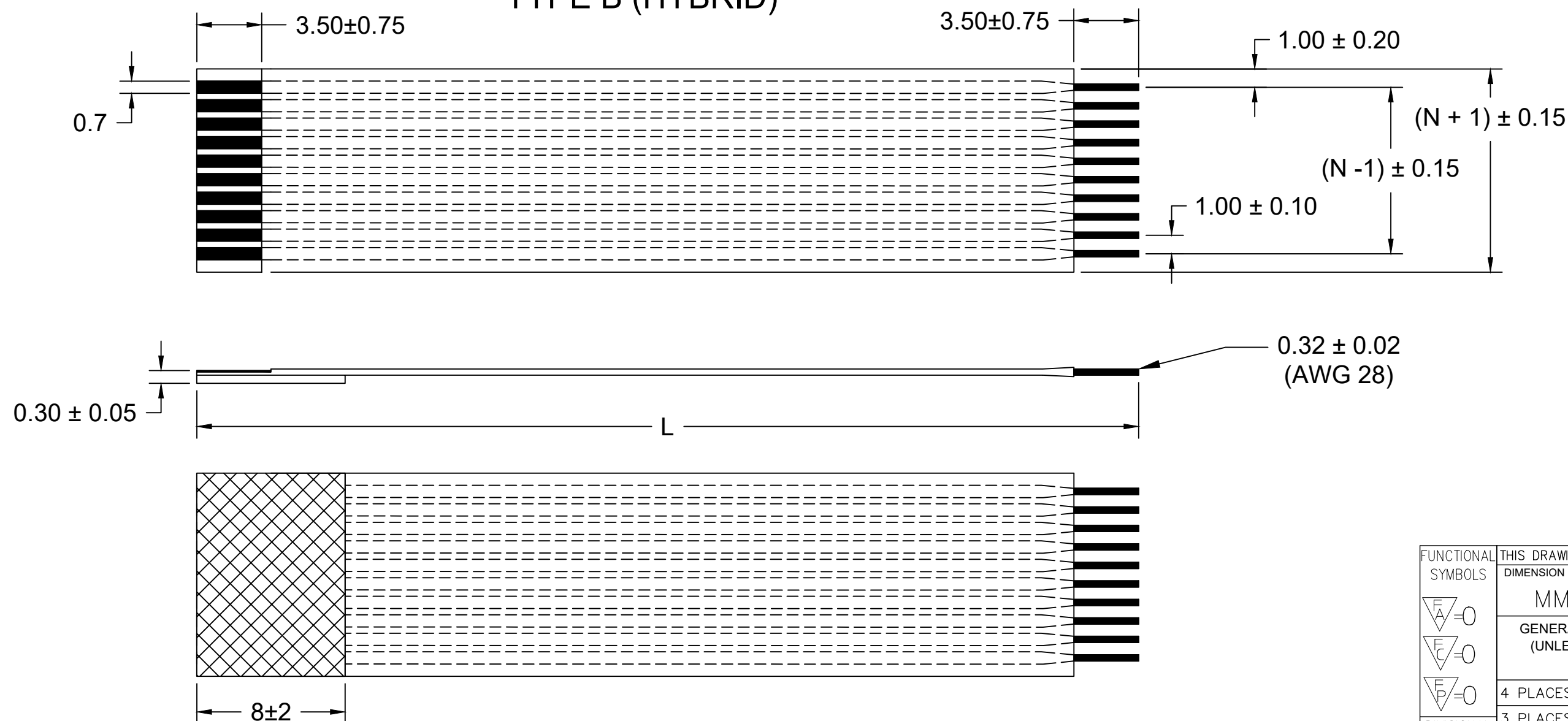


1.00 mm CENTER ROUND FLEX CABLE (RFC) (105°C, Sn PLATING)

"L" DIM. →	25 ± 1	51 ± 2	76 ± 3	102 ± 3	127 ± 4	152 ± 4	178 ± 4	203 ± 4	229 ± 5	254 ± 5	279 ± 5	305 ± 5
REF DIM →	(1 INCH)	(2 INCH)	(3 INCH)	(4 INCH)	(5 INCH)	(6 INCH)	(7 INCH)	(8 INCH)	(9 INCH)	(10 INCH)	(11 INCH)	(12 INCH)
CABLE TYPE →	TYPE B	TYPE B	TYPE B	TYPE B	TYPE B	TYPE B	TYPE B	TYPE B	TYPE B	TYPE B	TYPE B	TYPE B
CIRCUITS "N" ↓	TYPE B	TYPE B	TYPE B	TYPE B	TYPE B	TYPE B	TYPE B	TYPE B	TYPE B	TYPE B	TYPE B	TYPE B
2	150612102	150612202	150612302	150612402	150612502	150612602	150612702	150612802	150612902	150613002	150613102	150613202
4	150612104	150612204	150612304	150612404	150612504	150612604	150612704	150612804	150612904	150613004	150613104	150613204
6	150612106	150612206	150612306	150612406	150612506	150612606	150612706	150612806	150612906	150613006	150613106	150613206
8	150612108	150612208	150612308	150612408	150612508	150612608	150612708	150612808	150612908	150613008	150613108	150613208
10	150612110	150612210	150612310	150612410	150612510	150612610	150612710	150612810	150612910	150613010	150613110	150613210
12	150612112	150612212	150612312	150612412	150612512	150612612	150612712	150612812	150612912	150613012	150613112	150613212
14	150612114	150612214	150612314	150612414	150612514	150612614	150612714	150612814	150612914	150613014	150613114	150613214
16	150612116	150612216	150612316	150612416	150612516	150612616	150612716	150612816	150612916	150613016	150613116	150613216
18	150612118	150612218	150612318	150612418	150612518	150612618	150612718	150612818	150612918	150613018	150613118	150613218
20	150612120	150612220	150612320	150612420	150612520	150612620	150612720	150612820	150612920	150613020	150613120	150613220
22	150612122	150612222	150612322	150612422	150612522	150612622	150612722	150612822	150612922	150613022	150613122	150613222
24	150612124	150612224	150612324	150612424	150612524	150612624	150612724	150612824	150612924	150613024	150613124	150613224
26	150612126	150612226	150612326	150612426	150612526	150612626	150612726	150612826	150612926	150613026	150613126	150613226
28	150612128	150612228	150612328	150612428	150612528	150612628	150612728	150612828	150612928	150613028	150613128	150613228
30	150612130	150612230	150612330	150612430	150612530	150612630	150612730	150612830	150612930	150613030	150613130	150613230
32	150612132	150612232	150612332	150612432	150612532	150612632	150612732	150612832	150612932	150613032	150613132	150613232
34	150612134	150612234	150612334	150612434	150612534	150612634	150612734	150612834	150612934	150613034	150613134	150613234
36	150612136	150612236	150612336	150612436	150612536	150612636	150612736	150612836	150612936	150613036	150613136	150613236
38	150612138	150612238	150612338	150612438	150612538	150612638	150612738	150612838	150612938	150613038	150613138	150613238
40	150612140	150612240	150612340	150612440	150612540	150612640	150612740	150612840	150612940	150613040	150613140	150613240
42	150612142	150612242	150612342	150612442	150612542	150612642	150612742	150612842	150612942	150613042	150613142	150613242
44	150612144	150612244	150612344	150612444	150612544	150612644	150612744	150612844	150612944	150613044	150613144	150613244
46	150612146	150612246	150612346	150612446	150612546	150612646	150612746	150612846	150612946	150613046	150613146	150613246
48	150612148	150612248	150612348	150612448	150612548	150612648	150612748	150612848	150612948	150613048	150613148	150613248
50	150612150	150612250	150612350	150612450	150612550	150612650	150612750	150612850	150612950	150613050	150613150	150613250

TYPE B (HYBRID)



FFC SIDE CROSS-SECTION

- NOTES:**
- NO PRINTING ON JUMPER CABLE UNLESS OTHERWISE SPECIFIED. IF PRINTING IS REQUIRED, THEN IT WOULD BE CONSIDERED A SPECIAL JUMPER CABLE.
 - FOR ODD CIRCUIT COUNT AND CROSS-SECTION AND REFER TO SHEET # 2

FUNCTIONAL SYMBOLS	THIS DRAWING CONTAINS INFORMATION THAT IS PROPRIETARY TO MOLEX ELECTRONIC TECHNOLOGIES, LLC AND SHOULD NOT BE USED WITHOUT WRITTEN PERMISSION		CURRENT REV DESC: PRODUCTION RELEASE	
	DIMENSION UNITS	SCALE		
	MM	4:1		
DIVISIONAL SYMBOLS	GENERAL TOLERANCES (UNLESS SPECIFIED)			
		mm	INCH	
	4 PLACES	±----	±----	
	3 PLACES	±----	±----	
	2 PLACES	±----	±----	
	1 PLACE	±----	±----	
	0 PLACES	±----	±----	
	ANGULAR TOL ± 0.5°			
	DRAFT WHERE APPLICABLE MUST REMAIN WITHIN DIMENSIONS			
	THIRD ANGLE PROJECTION			
	DRAWING			
	C-SIZE			
	SERIES			
	15061			
MATERIAL NUMBER		CUSTOMER		SHEET NUMBER
150610001		GENERAL MARKET		1 OF 2
PRODUCT SALES DRAWING		DOCUMENT NUMBER		DOC TYPE DOC PART REVISION
150610001		PSD		000 A



1.00 MM CENTER FLAT FLEX CABLE (FFC) (105°C, AU PLATING) SALES DRAWING

PRODUCT SALES DRAWING

DRWN: DIEGO ANDRES GOMEZ
CHK'D:
APPR:



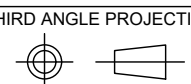
150610001
GENERAL MARKET
1 OF 2

1.00 mm CENTER ROUND FLEX CABLE (RFC) (105°C, Sn PLATING)

"L" DIM. →	25 ± 1	51 ± 2	76 ± 3	102 ± 3	127 ± 4	152 ± 4	178 ± 4	203 ± 4	229 ± 5	254 ± 5	279 ± 5	305 ± 5
REF DIM →	(1 INCH)	(2 INCH)	(3 INCH)	(4 INCH)	(5 INCH)	(6 INCH)	(7 INCH)	(8 INCH)	(9 INCH)	(10 INCH)	(11 INCH)	(12 INCH)
CABLE TYPE →	TYPE B	TYPE B	TYPE B	TYPE B	TYPE B	TYPE B	TYPE B	TYPE B	TYPE B	TYPE B	TYPE B	TYPE B
CIRCUITS "N" ↓	TYPE B	TYPE B	TYPE B	TYPE B	TYPE B	TYPE B	TYPE B	TYPE B	TYPE B	TYPE B	TYPE B	TYPE B
3	150612103	150612203	150612303	150612403	150612503	150612603	150612703	150612803	150612903	150613003	150613103	150613203
5	150612105	150612205	150612305	150612405	150612505	150612605	150612705	150612805	150612905	150613005	150613105	150613205
7	150612107	150612207	150612307	150612407	150612507	150612607	150612707	150612807	150612907	150613007	150613107	150613207
9	150612109	150612209	150612309	150612409	150612509	150612609	150612709	150612809	150612909	150613009	150613109	150613209
11	150612111	150612211	150612311	150612411	150612511	150612611	150612711	150612811	150612911	150613011	150613111	150613211
13	150612113	150612213	150612313	150612413	150612513	150612613	150612713	150612813	150612913	150613013	150613113	150613213
15	150612115	150612215	150612315	150612415	150612515	150612615	150612715	150612815	150612915	150613015	150613115	150613215
17	150612117	150612217	150612317	150612417	150612517	150612617	150612717	150612817	150612917	150613017	150613117	150613217
19	150612119	150612219	150612319	150612419	150612519	150612619	150612719	150612819	150612919	150613019	150613119	150613219
21	150612121	150612221	150612321	150612421	150612521	150612621	150612721	150612821	150612921	150613021	150613121	150613221
23	150612123	150612223	150612323	150612423	150612523	150612623	150612723	150612823	150612923	150613023	150613123	150613223
25	150612125	150612225	150612325	150612425	150612525	150612625	150612725	150612825	150612925	150613025	150613125	150613225
27	150612127	150612227	150612327	150612427	150612527	150612627	150612727	150612827	150612927	150613027	150613127	150613227
29	150612129	150612229	150612329	150612429	150612529	150612629	150612729	150612829	150612929	150613029	150613129	150613229
31	150612131	150612231	150612331	150612431	150612531	150612631	150612731	150612831	150612931	150613031	150613131	150613231
33	150612133	150612233	150612333	150612433	150612533	150612633	150612733	150612833	150612933	150613033	150613133	150613233
35	150612135	150612235	150612335	150612435	150612535	150612635	150612735	150612835	150612935	150613035	150613135	150613235
37	150612137	150612237	150612337	150612437	150612537	150612637	150612737	150612837	150612937	150613037	150613137	150613237
39	150612139	150612239	150612339	150612439	150612539	150612639	150612739	150612839	150612939	150613039	150613139	150613239
41	150612141	150612241	150612341	150612441	150612541	150612641	150612741	150612841	150612941	150613041	150613141	150613241
43	150612143	150612243	150612343	150612443	150612543	150612643	150612743	150612843	150612943	150613043	150613143	150613243
45	150612145	150612245	150612345	150612445	150612545	150612645	150612745	150612845	150612945	150613045	150613145	150613245
47	150612147	150612247	150612347	150612447	150612547	150612647	150612747	150612847	150612947	150613047	150613147	150613247
49	150612149	150612249	150612349	150612449	150612549	150612649	150612749	150612849	150612949	150613049	150613149	150613249

NOTES:

- NO PRINTING ON JUMPER CABLE UNLESS OTHERWISE SPECIFIED. IF PRINTING IS REQUIRED, THEN IT WOULD BE CONSIDERED A SPECIAL JUMPER CABLE.

FUNCTIONAL SYMBOLS	THIS DRAWING CONTAINS INFORMATION THAT IS PROPRIETARY TO MOLEX ELECTRONIC TECHNOLOGIES, LLC AND SHOULD NOT BE USED WITHOUT WRITTEN PERMISSION												
	DIMENSION UNITS		SCALE		CURRENT REV DESC: PRODUCTION RELEASE								
MM		4:1		1.00 MM CENTER FLAT FLEX CABLE (FFC) (105°C, AU PLATING) SALES DRAWING									
GENERAL TOLERANCES (UNLESS SPECIFIED)													
		mm	INCH	STATUS:----- DRWN: DIEGO ANDRES GOMEZ 						PRODUCT SALES DRAWING DOCUMENT NUMBER: 150610001 DOC TYPE: PSD DOC PART: 000 REVISION: A			
4 PLACES		±----	±----										
3 PLACES		±----	±----	APPR: -----									
2 PLACES		±----	±----										
1 PLACE		±----	±----	DRAFT WHERE APPLICABLE MUST REMAIN WITHIN DIMENSIONS						THIRD ANGLE PROJECTION 			
0 PLACES		±----	±----										
ANGULAR TOL ± 0.5°				DRAWING		SERIES		MATERIAL NUMBER		CUSTOMER		SHEET NUMBER	
				C-SIZE		15061		150610001		GENERAL MARKET		2 OF 2	