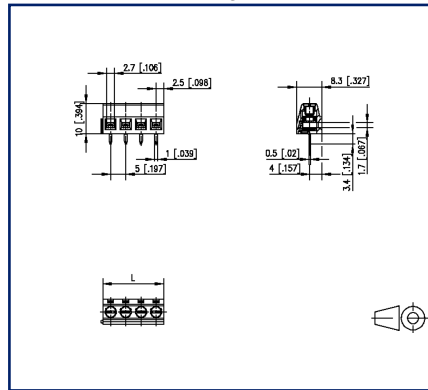


Data sheet
RT035xxHBLU Typ 094

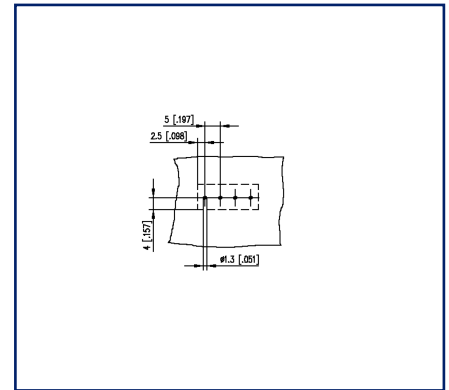
Illustrations



Dimensional drawing



Drill pattern





See enlarged drawings at the end of document

Product specification

- screw type terminal block, solderable
- centerline 5.00 mm, direction of connection 90°
- lift system, modular
- color black

Technical Data

General Data			
Tightening torque SEV	0.5 Nm		
Tightening torque UL	4.4 lb-in		
Solder pin length	3.4 mm		
min. number of poles	2		
max. number of poles	24		
Insulating material class	CTI 600		
clearance/creepage dist.	3.2 mm		
Protection category	IP20		
Min. insul. strip length	6 mm		
Rated current	13.5 A		
Overvoltage category	III	III	II
Pollution degree	3	2	2
Rated voltage	50 V	250 V	250 V
Rated test voltage	2.5 kV	2.5 kV	2.5 kV
Anschlussdaten			
rat.wiring solid AWGmax	0.2 mm ² - 1.5 mm ² / AWG 26 - AWG 16		
rat.wiring strand.AWGmax	0.2 mm ² - 1.5 mm ² / AWG 26 - AWG 16		
Approvals			
 V / A / AWG	300 / 10 / 26 - 16		
approval UL - File No.	E121004		
 1.5 mm ²	250 V / 17.5 A / T60		
Material			
insulating material	PA66		
flammability class	V0		
contact material	CuSn		
Contact surface	Sn		
terminal body thread	M3		
terminal body material	CuZnPb		
terminal body surface	Ni		
screw thread	M3		
screw material	8,8		
screw surface	Zn Cr(VI)-frei/free		
Glow-Wire Flammability GWFI	960 °C acc. to IEC 60695-2-12		

U | Contact

Data sheet RT035xxHBLU Typ 094

Page 3/5

P/N
310941xx

xx=number of poles

2021/09/15

Version: Y

Technical Data

Glow-Wire Flammability GWIT	775 °C acc. to IEC 60695-2-13
REACH - substance (SVHC)	Lead / 7439-92-1

Climatic Data

upper limit temperature	105 °C
lower limit temperature	-40 °C

general

Tolerance	ISO 2768 -mH
Solderability	Acc. to JEDEC JESD22-B102E 245°C/5s

U | Contact

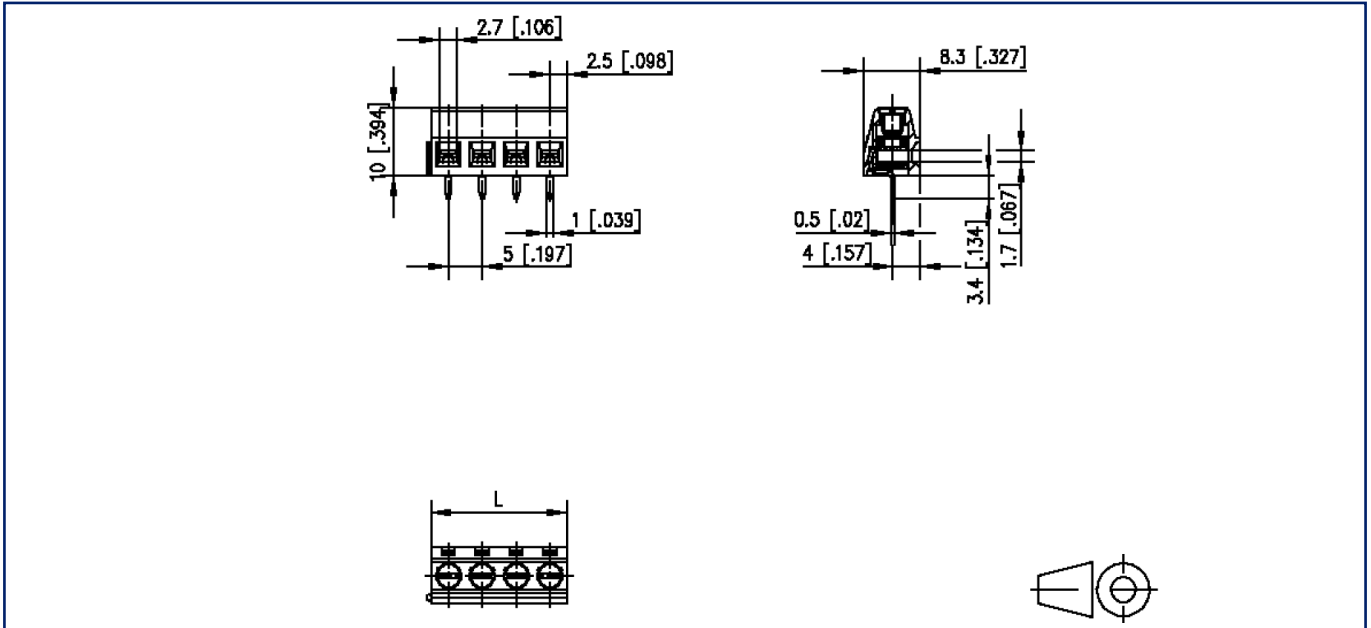
Data sheet
RT035xxHBLU Typ 094

Page 4/5

P/N
310941xx
 xx=number of poles
 2021/09/15
 Version: Y

Illustrations

Dimensional drawing



$L = (\text{pole size} - 1) \times \text{centerline} + 5 \text{ mm } [0.197]$



Illustrations

Drill pattern

