

Data sheet

Industry IP67 V5 metal plug housing

Page 1/6

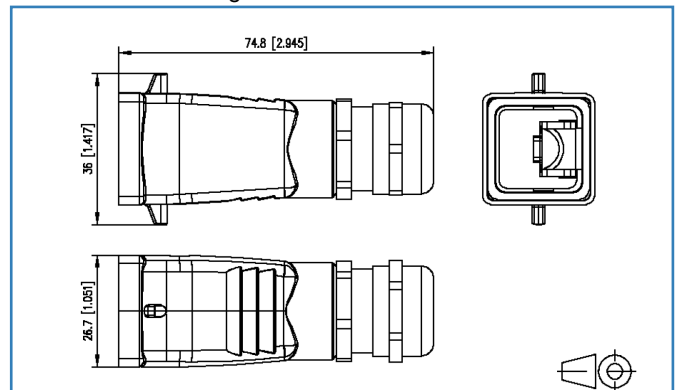
P/N
1401065000ME
EAN 4250184116585

2017-13-04

Illustrations



Dimensional drawing



See enlarged drawings at the end of document



Product specification

- plug housing with clamp lock acc. to ISO/IEC 24702 and IEC 61076-3-106 var. 5
- IP67 protected housing to hold Industry plug inserts
- increased diameter range of 10 mm for connection of cable jackets
- resistant to welding sputter
- industry-compatible metal housing with improved durability
- flammability class as per UL 94V-0
- improved resistance to chemical substances
- snap-on clip for color coding after assembly
- cable can be pushed through preassembled plug housing
- matching plug inserts: E-DAT Industry RJ45 field plug insert, E-DAT Industry RJ45 plug insert

Data sheet Industry IP67 V5 metal plug housing

Page 2/6

P/N
1401065000ME
EAN 4250184116585

2017-13-04

Technical Data

General Data

Fields of application	Harsh environment
Design	Plug housings
Color	gray
Dimensions	
Dimension (L x W x H)	74.80 x 36.00 x 26.70 mm
Dimension (L x W x H)	2.945 x 1.417 x 1.051 in.
Labeling option	on housing
Marking option	by latching clip

Connections/interfaces

Number of ports interface 2	1
Number of ports interface 2 equipped	0
Protective housing interface 1	V5
Protective housing interface 2	V5
Cable sheath diameter (min. - max.)	
Cable sheath diameter	5.00 - 10.00 mm
Cable sheath diameter	0.197 - 0.394 in.
Module plug-in direction	straight
Cable access/outlet	180°

Materials and material properties

Material - Protective housing	die-cast aluminium
Material - Protective housing seal	NBR (nitrile butadiene rubber)
Material - Flat seal	NBR (nitrile butadiene rubber)
Material - Cap nut	CuZn (brass)
Material - Cap nut finish	Ni (nickel)
Material - Protective housing screw(s)	stainless steel
Material - Plug insert	PBT UL94 V0
Material - Washer	PA (polyamide)

Data sheet Industry IP67 V5 metal plug housing

Page 3/6

P/N
1401065000ME
EAN 4250184116585

2017-13-04

Technical Data

Environmental conditions

Temperature (min. - max.)	
Temperature - Storage °C	-40 - 70 °C
Temperature - Storage °F	-40 - 158 °F
Temperature - Operating °C	-40 - 70 °C
Temperature - Operating °F	-40 - 158 °F
Particulate ingress	IP6X
Liquid ingress/immersion	IPX7
Rapid change of temperature	-40°C / -40°F - +70°C / +158°F / 25 cycles t=30min
Damp heat	+25°C / +77°F / +65°C / 149°F / 93% RH // -10°C / 14°F / 21 cycles
Salt spray fog test (NSS Test)	+35°C / +95 / 4 days 5% NaCL
Resistance to welding beads	yes
Increased robustness	yes
Increased chemical resistance	yes

Approvals

RoHS	compliant
UL listed (file no.)	DUXR.E178484



The product meets the following standards

Generic cabling systems	
Industrial area	ISO/IEC 24702
Expansion of Communication Circuit Accessories (DUXR) Category	UL 1863
Degrees of Protection Provided by Enclosures	IEC 60529
Connectors for electronic equipment	
Rectangular connectors	DIN EN 61076-3-106

Data sheet
Industry IP67 V5 metal plug housing

Page 4/6

P/N
1401065000ME
EAN 4250184116585

2017-13-04

Technical Data**Classifications**

ETIM 5.0	EC001121
ETIM 6.0	EC001121

Packing details

Type of packaging	10 pc(s) / box
Packaging unit - Weight (gram)	666.00 g
Packaging unit - Weight (pound)	1.47 lb
Packaging dimension (W x H x D)	247.00 x 161.00 x 58.00 mm
Packaging dimension (W x H x D)	9.724 x 6.339 x 2.283 in.



Data sheet

Industry IP67 V5 metal plug housing

Page 5/6

P/N

1401065000ME**EAN 4250184116585**

2017-13-04

Accessories

P/N	Designation
1401500810-I	E-DAT Industry RJ45 plug insert Cat.6 Class E _A
1401400810-I	E-DAT Industry RJ45 field plug insert Cat.6 Class E _A
1401068000MI	Industry IP67 V5 metal plug protective cap



**Data sheet
Industry IP67 V5 metal plug housing**

Page 6/6

**P/N
1401065000ME
EAN 4250184116585**

2017-13-04

Illustrations

Dimensional drawing

