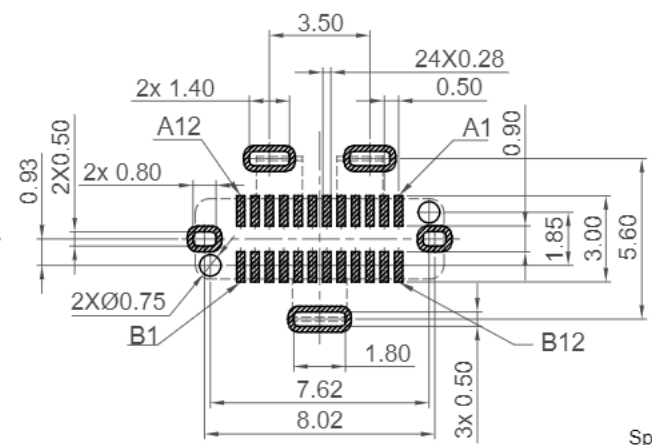
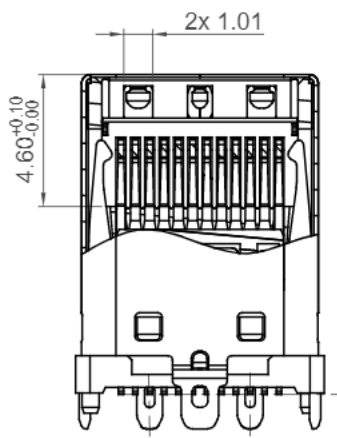


Section A-A

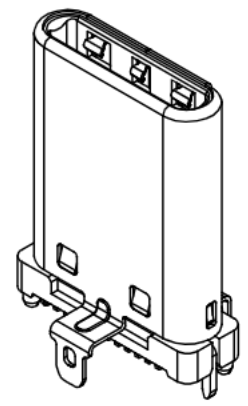


Recommended PCB Layout
 Thickness 0.8±0.10mm
 Tolerance: ±0.05mm

■ Solder Area □ Component Outline



Section B-B



Ordering Grid

USB4151 - GF - C [Request Samples and Quotation](#)

Contact Plating
 GF = Gold Flash

Packing Options
 C = Tape & Reel with Cap
 (400 per reel)

Pin	Signal	Mating Sequence	Pin	Signal	Mating Sequence
A1	GND	First	B12	GND	First
A2	SSTxp1	Second	B11	SSRXp1	Second
A3	SSTXn1	Second	B10	SSRXn1	Second
A4	Vbus	First	B9	Vbus	First
A5	CC1	Second	B8	SBU2	Second
A6	Dp1	Second	B7	Dn2	Second
A7	Dn1	Second	B6	Dp2	Second
A8	SBU1	Second	B5	CC2	Second
A9	Vbus	First	B4	Vbus	First
A10	SSRXn2	Second	B3	SSTXn2	Second
A11	SSRXp2	Second	B2	SSTXp2	Second
A12	GND	First	B1	GND	First
SHELL		GND	SHELL		GND

Specifications

Material

Insulator: LCP, UL 94V-0, Black
 Contact: C7025, T=0.15mm
 Shell: SUS304, T=0.15mm
 Latch: SUS301, T=0.30mm
 Spring: SUS304, T=0.10mm

Plating

Contact
 Contact Area: Gold Flash over 50µ" min. Nickel
 Solder Tails: 80µ" min. Matte Tin over 50µ" min. Nickel
 Shell: 50µ" min. Nickel
 Latch: 80µ" min. Tin
 Spring: 50µ" min. Nickel

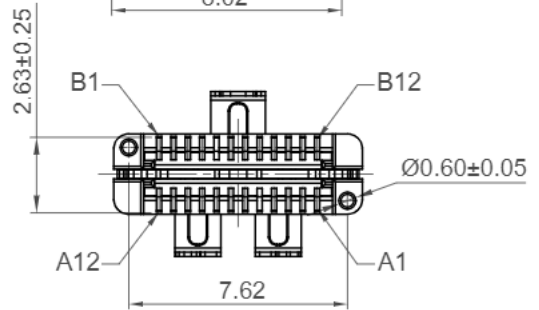
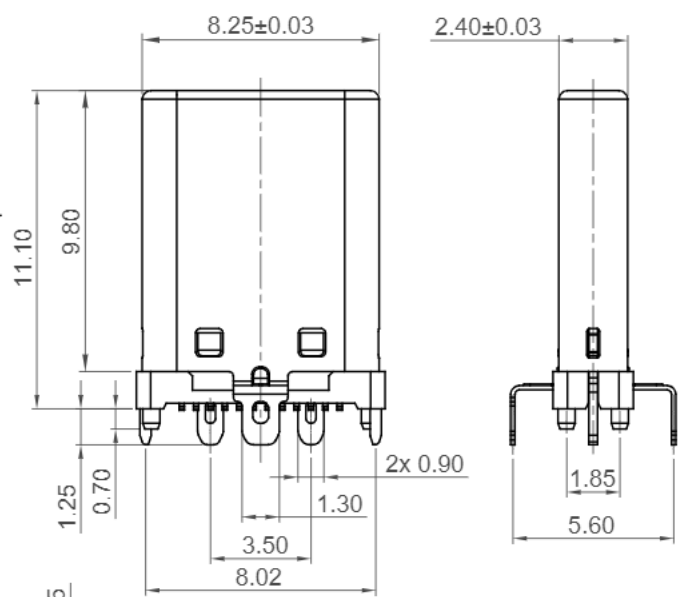
Electrical

Current Rating: 5.00A collectively for Vbus pins
 6.25A collectively for GND pins
 1.25A for A5/B5 pin
 0.25A per pin for all other pins

Voltage Rating: 48V DC
 Power Rating: 240W
 Contact Resistance: 40mΩ max initial.
 50mΩ max after test
 Dielectric Withstanding Voltage: 100V AC
 Insulation Resistance 100MΩ min

Mechanical & Environmental

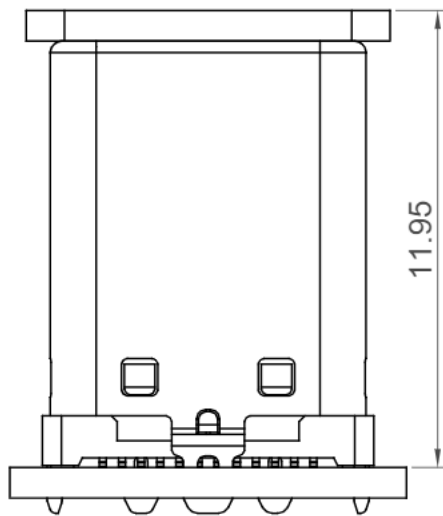
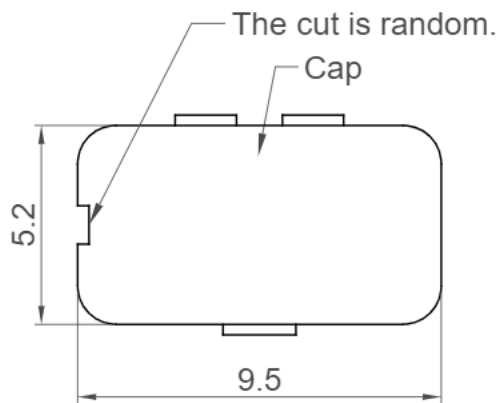
Operating Temperature: -40°C to +85°C
 Mating Force: 5 to 20 N.
 Unmated Force: 6 to 20 N after test
 Durability: 10,000 cycles



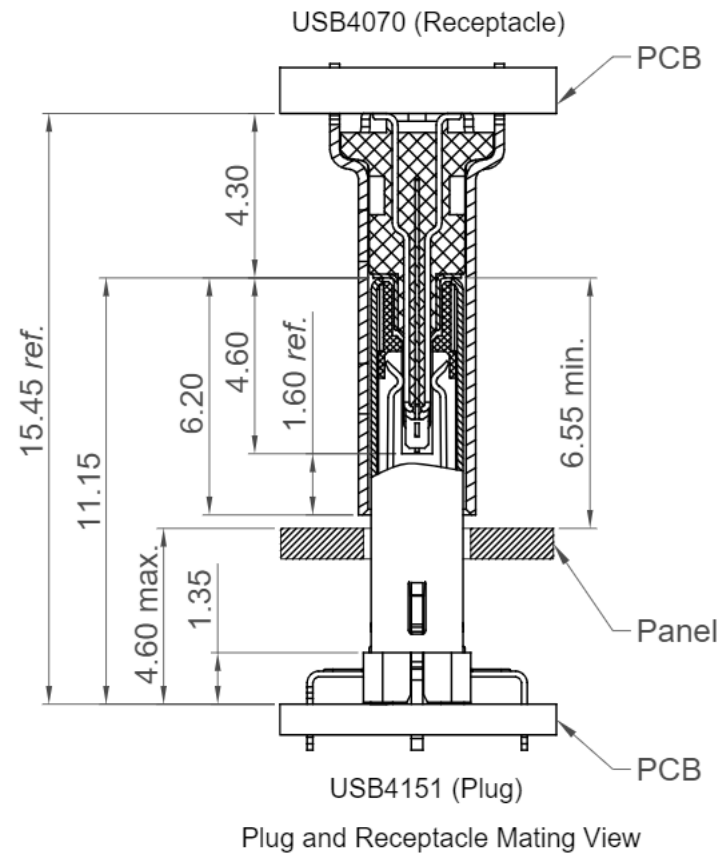
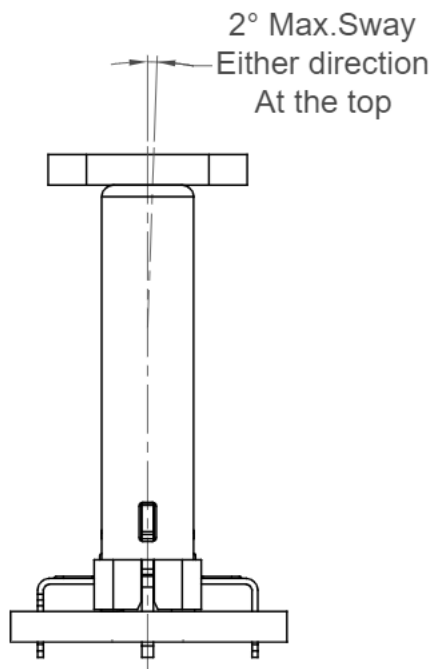
Part Number USB4151		Product Description USB3.2 Gen2 Type C Plug, Vertical, SMT	
Drawing Date 14th January 2020			
By CC	Tolerances (Except as Noted) Length Angle	Units: Metric (mm)	<p>This drawing is confidential and copyright of Global Connector Technology, Ltd (GCT). This drawing must not be copied or disclosed without written consent. E & OE</p>
Detail USB4151 B PCN	X.X ± 0.30 X.XX ± 0.25 X.XXX ± 0.10	2nd Angle Projection	
Revision B3			
Date 08/05/23			







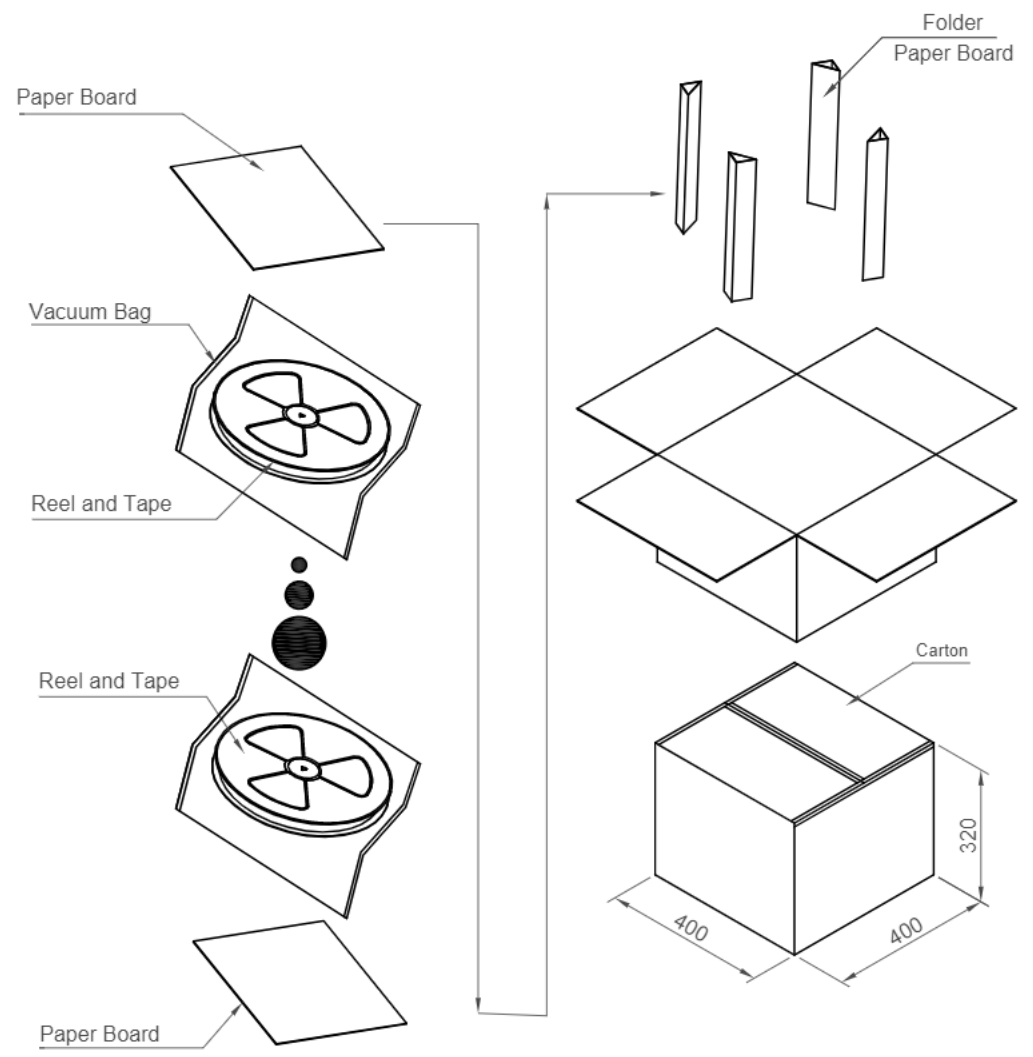
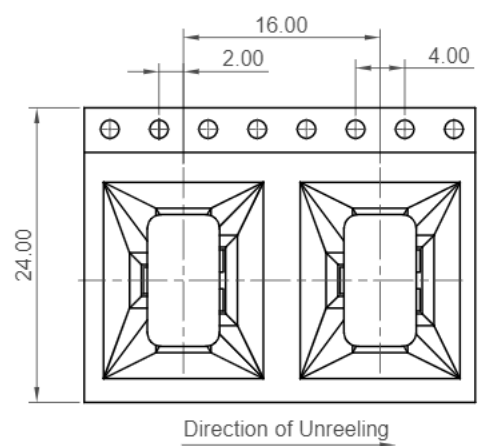
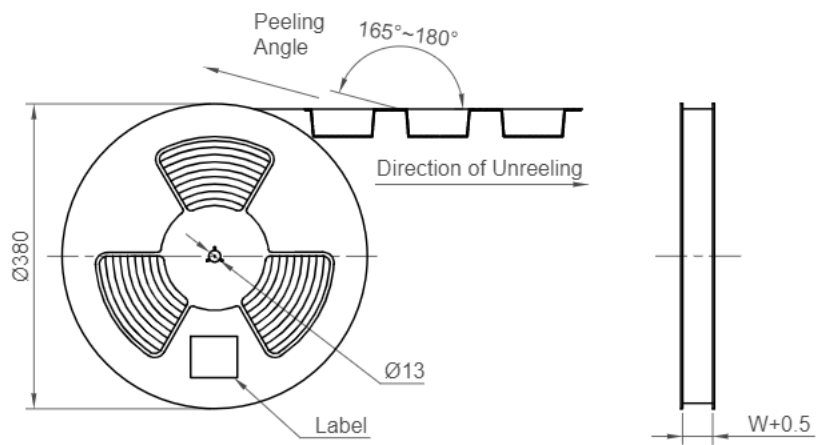
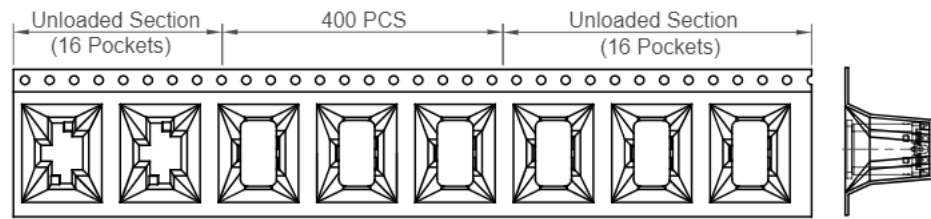
Not to Scale	Drawn By CC	Sheet No. 1/3
--------------	----------------	------------------



PCB Mount&Cap Information



Part Number		Product Description		 www.gct.co
USB4151		USB3.2 Gen2 Type C Plug,Vertical, SMT		
Drawing Date		14th January 2020		
By	CC	Tolerances (Except as Noted)	Units:	This drawing is confidential and copyright of Global Connector Technology, Ltd (GCT). This drawing must not be copied or disclosed without written consent. E & OE
Detail	USB4151 B PCN	Length	Metric (mm)	
Revision	B3	X.X ± 0.30	 2nd Angle Projection	
Date	08/05/23	X.XX ± 0.25		
		X.XXX ± 0.10	 RoHS COMPLIANT 2011/65/EU  Deca-BDE	



Pcs / Reel	Reels / Carton	Total Quantity
400	10	4,000 pcs

Part Number USB4151		Product Description USB3.2 Gen2 Type C Plug, Vertical, SMT	
Drawing Date 14th January 2020			
By CC	Tolerances (Except as Noted) Length X.X ± 0.30 X.XX ± 0.25 X.XXX ± 0.10	Units: Metric (mm)	RoHS COMPLIANT 2011/08/EU Deca-REE
Detail USB4151 B PCN	Angle -	2nd Angle Projection	This drawing is confidential and copyright of Global Connector Technology, Ltd (GCT). This drawing must not be copied or disclosed without written consent. E & OE
Revision B3			
Date 08/05/23			



Not to Scale	Drawn By CC	Sheet No. 3/3
--------------	----------------	------------------