

Specifications

Material

Insulator: LCP, UL 94V-0, Black
 Contact: Copper Alloy (C1814), T=0.12mm
 Mid Plate: Stainless Steel (SUS301), T=0.15mm
 Shell: Stainless Steel (SUS304), T=0.30mm

Plating

Contact
 Contact Area: 3u" Au over 50µ" min. Nickel
 Solder Tails: Gold Flash over 50µ" min. Nickel
 Shell: 30µ" min. Nickel
 Mid Plate: Clear

Electrical

Current Rating: 5.00A collectively for Vbus pins
 6.25A collectively for GND pins
 1.25A for A5/B5 pin
 0.25A per pin for all other pins
 Voltage Rating: 48V DC
 Power Rating: 240W
 Contact Resistance: 40mΩ max initial.
 50mΩ max after test
 Dielectric Withstanding Voltage: 100V AC
 Insulation Resistance 100MΩ min

Mechanical & Environmental

Operating Temperature: -25°C to +85°C
 Mating Force: 5 to 20 N.
 Unmated Force: 6 to 20 N after test
 Durability: 10,000 cycles

Ordering Grid

USB4120 - 03 - C Request Samples and Quotation

Contact Plating: 03 = 3u" Gold
 Packing Options: C = Tape & Reel with Cap (600 per reel)

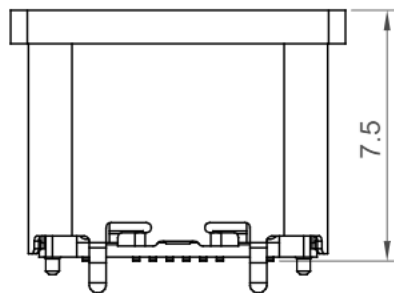
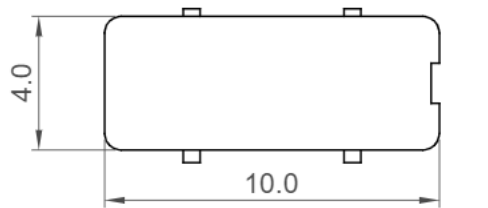
Part Number		Product Description	
USB4120		USB 2.0 Type C Receptacle, 16contacts, Vertical, SMT, H=6.5mm	
Drawing Date		28th September 2020	
By	CC	Tolerances (Except as Noted)	Units:
Detail	Drawing Release	Length	Metric (mm)
Revision	A4	X.X ± 0.30	 2nd Angle Projection
Date	11/04/23	X.XX ± 0.25	
		X.XXX ± 0.10	



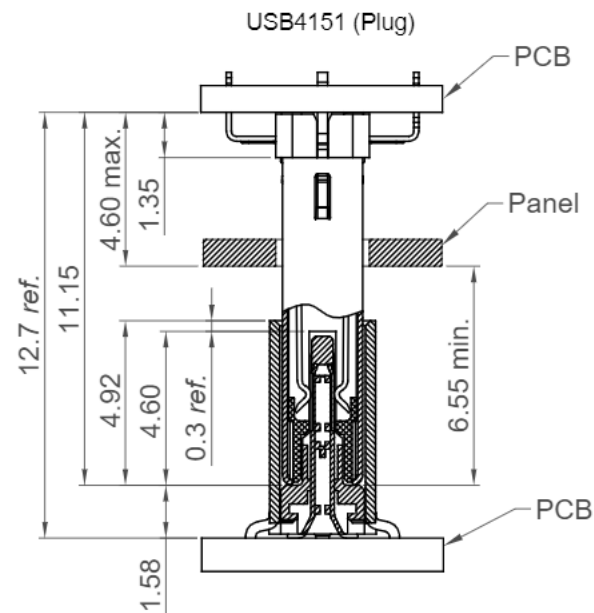
This drawing is confidential and copyright of Global Connector Technology, Ltd (GCT). This drawing must not be copied or disclosed without written consent. E & OE



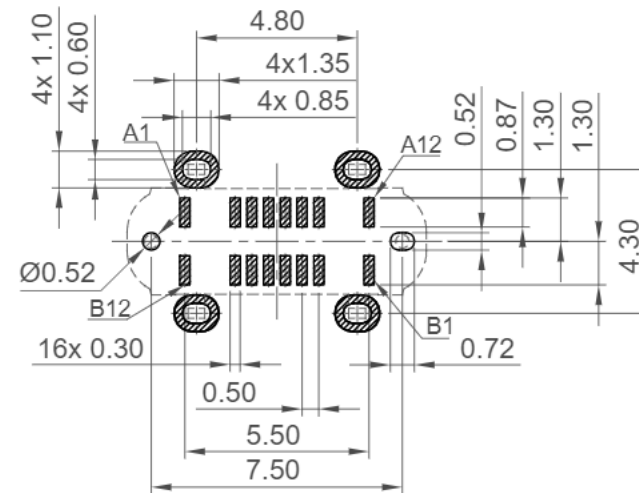
Not to Scale	Drawn By CC	Sheet No. 1/3
--------------	-------------	---------------



Cap Information



USB4120 (Receptacle)
Plug and Receptacle Mating View

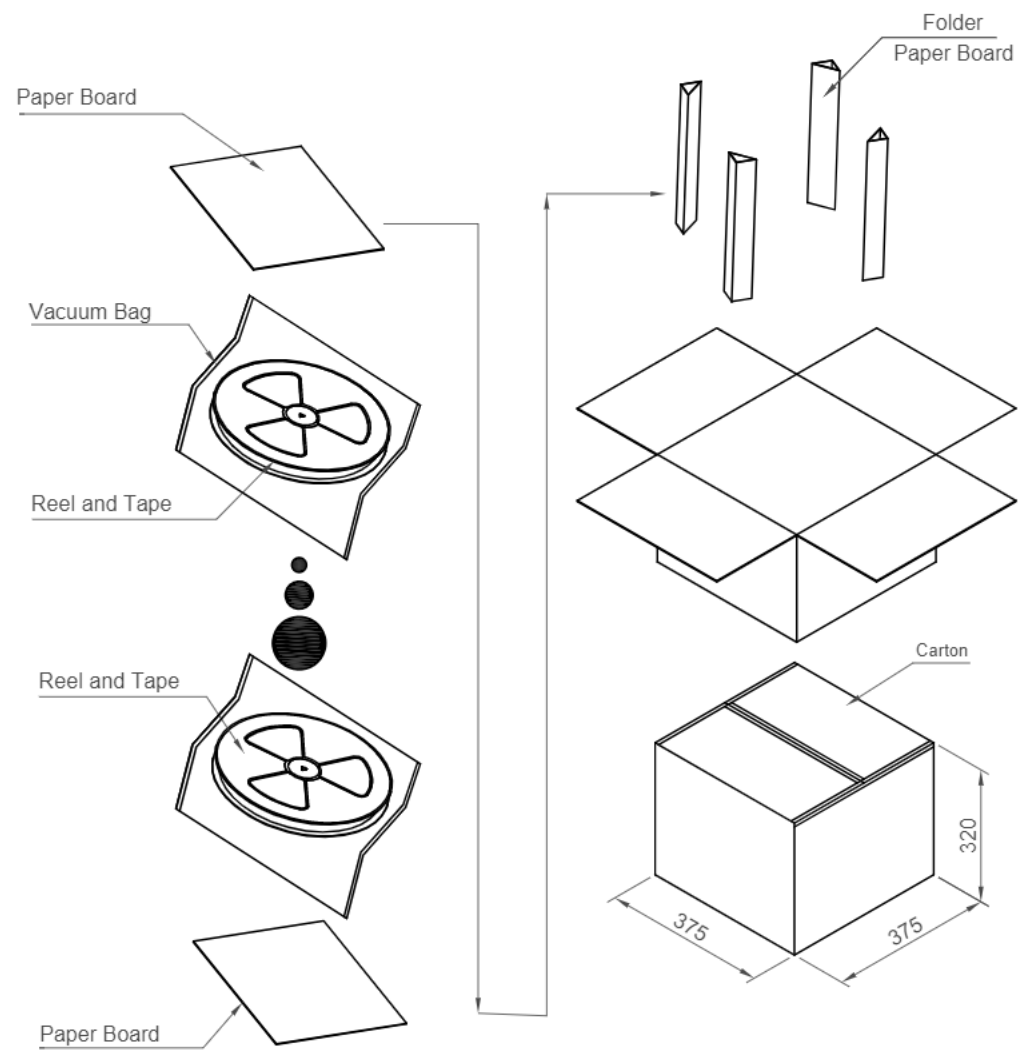
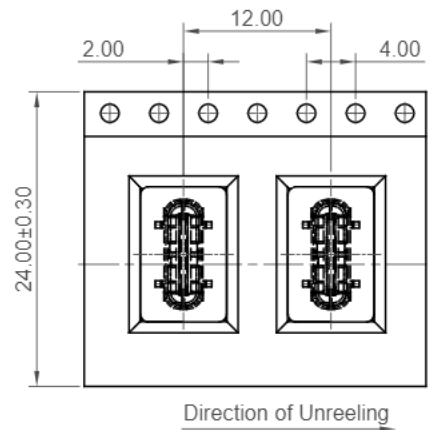
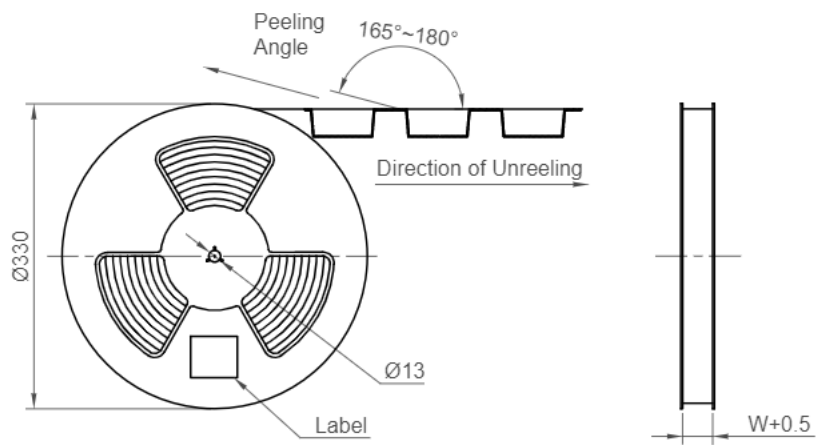
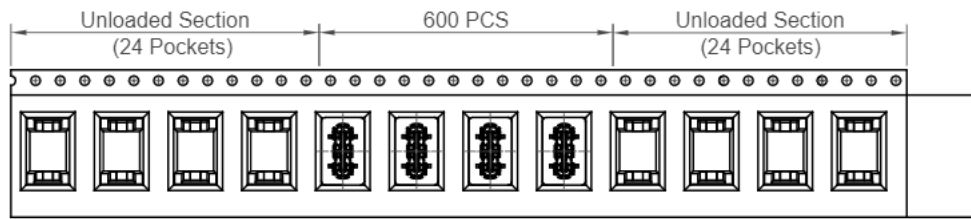


Recommended PCB Layout
Thickness 1.00±0.10mm
Tolerance: ±0.05mm

■ Solder Area □ Component Outline

Pin	Signal	Mating Sequence	Pin	Signal	Mating Sequence
A1	GND	First	B12	GND	First
A4	V _{bus}	First	B9	V _{bus}	First
A5	CC1	Second	B8	SBU2	Second
A6	Dp1	Second	B7	Dn2	Second
A7	Dn1	Second	B6	Dp2	Second
A8	SBU1	Second	B5	CC2	Second
A9	V _{bus}	First	B4	V _{bus}	First
A12	GND	First	B1	GND	First
SHELL	GND		SHELL	GND	

Part Number USB4120		Product Description USB 2.0 Type C Receptacle, 16contacts, Vertical, SMT, H=6.5mm		 www.gct.co
Drawing Date 28th September 2020				
By CC	Detail Drawing Release	Tolerances (Except as Noted) Length X.X ± 0.30 X.XX ± 0.25 X.XXX ± 0.10	Units: Metric (mm)	
Revision A4	Date 11/04/23	2nd Angle Projection	 	This drawing is confidential and copyright of Global Connector Technology, Ltd (GCT). This drawing must not be copied or disclosed without written consent. E & OE
		Not to Scale	Drawn By CC	Sheet No. 2/3



Pcs / Reel	Reels / Carton	Total Quantity
600	10	6,000 pcs

Part Number USB4120		Product Description USB 2.0 Type C Receptacle, 16contacts, Vertical, SMT, H=6.5mm	
Drawing Date 28th September 2020			
By CC	Drawing Release	Tolerances (Except as Noted) Length X.X ± 0.30 X.XX ± 0.25 X.XXX ± 0.10	Units: Metric (mm)
Detail	A4	-	2nd Angle Projection
Revision	11/04/23		
Date			



This drawing is confidential and copyright of Global Connector Technology, Ltd (GCT). This drawing must not be copied or disclosed without written consent. E & OE



Not to Scale	Drawn By CC	Sheet No. 3/3
--------------	----------------	------------------