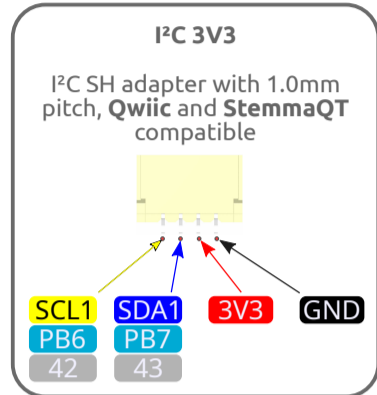


GroundStudio Magma Splash

STM32F411CEU6 based development board with high-performance ARM® Cortex®-M4 32-bit RISC core operating at a frequency of up to 100 MHz, 512kBytes of Flash memory, 128kBytes SRAM, 24 PWM, 5 SPI, 3 UART, 32 Digital Pins and 10 channel 12 bit ADC Pins

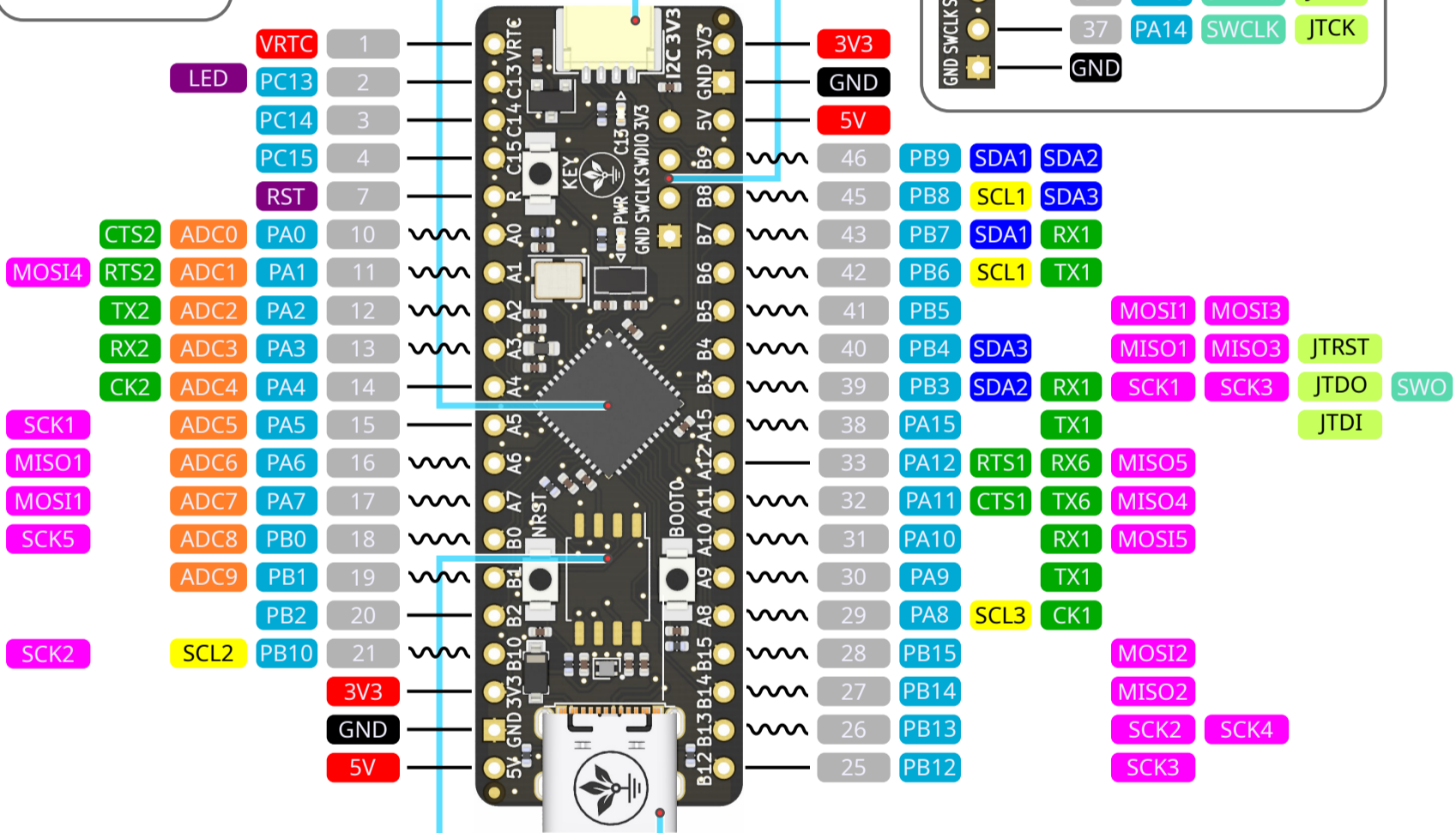
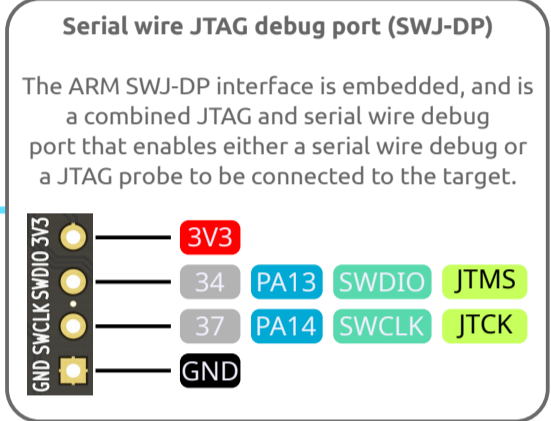
COLOR DIAGRAM

- Chip Pin Number
- Pin Name
- UART
- ADC Channel
- SCL
- SDA
- SPI
- JTAG
- Serial wire
- Others
- Ground
- Power
- ⚡ PWM Enabled Pin



STM32F411CEU6

A high-performance STMicroelectronics's ARM® Cortex®-M4+ based microcontroller

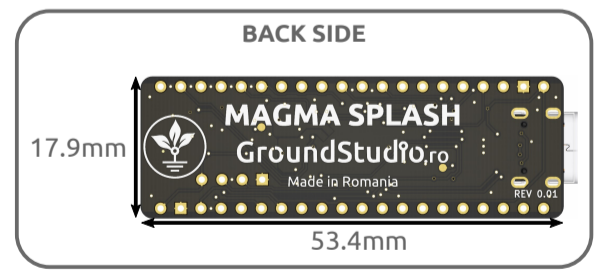


FLASH CHIP PADS

Optional SOIC-8 pads allows you to add 2MB of Flash via SPI1 and chip select pin PA4 in Arduino

USB C

USB 2.0 type C for double-sided connection



Board: "GroundStudio Magma Splash" SOJOWS_GS REV0.01
 Credits: "WeAct Black Pill V2.0" by WeAct
 Copyright: ARDUSHOP SRL 2022
 License: CC BY-SA 4.0 Attribution-ShareAlike 4.0 International Pinout REV: 1