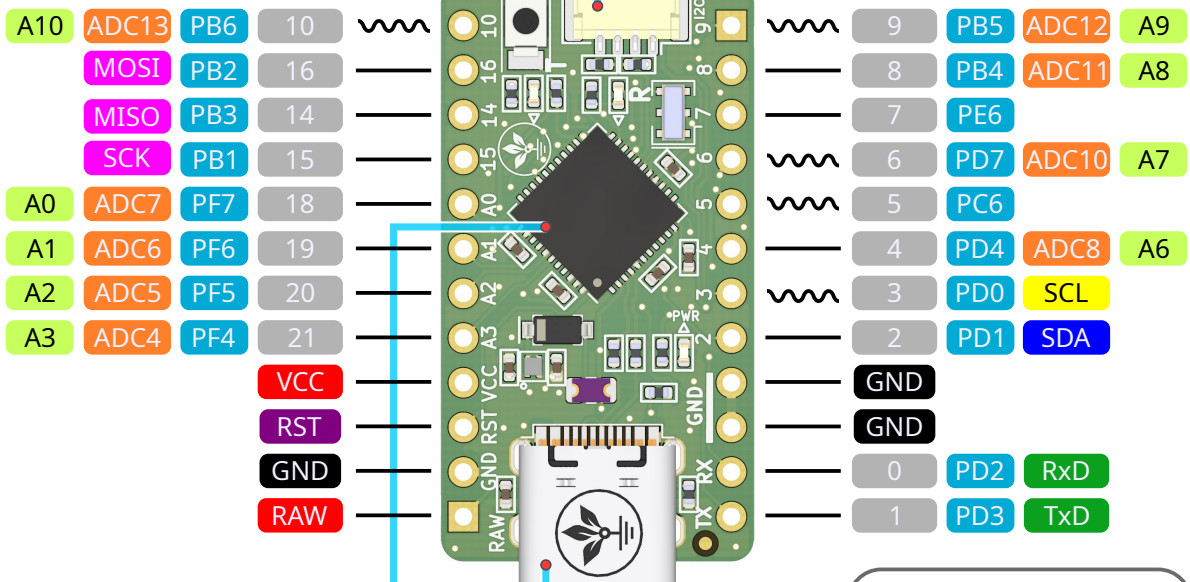
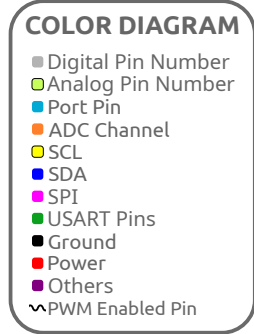
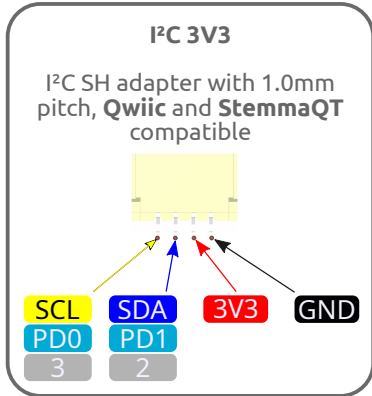


GroundStudio Jade Pro Micro

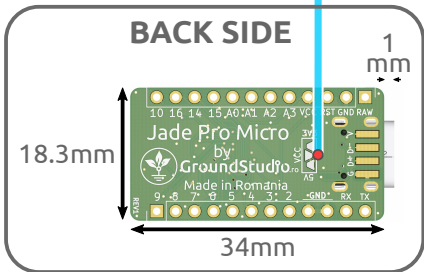
ATMEGA32U4 based development board with **32kBytes** of In-System Self-Programmable **Flash** program memory, **1kBytes EEPROM**, **2.5kBytes** Internal **SRAM**, **5 PWM Channels**, **18 Digital Pins** and **9 channel 10 bit ADC Pins**



ATMEGA32U4
Widely popular ATmega32U4 is a high-performance 8-Bit microcontroller with advanced RISC architecture

USB C
USB 2.0 **type C** for double-sided connection

LOGIC LEVEL SELECT
Solder jumper that enables VCC and logic level selection.
Default value: 3.3V



Board: "GroundStudio Jade Pro Micro" PZDZZP_GS REV0.1
Credits: "SparkFun Pro Micro" by SparkFun
Copyright: ARDUSHOP SRL 2022
License: CC BY-SA 4.0 Attribution-ShareAlike 4.0 International

Pinout REV: 1