

The specialist for noise: AxiForce size 120



Description

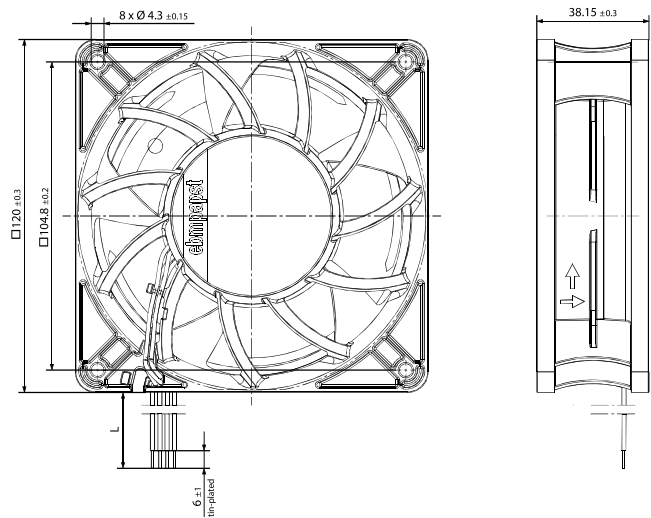
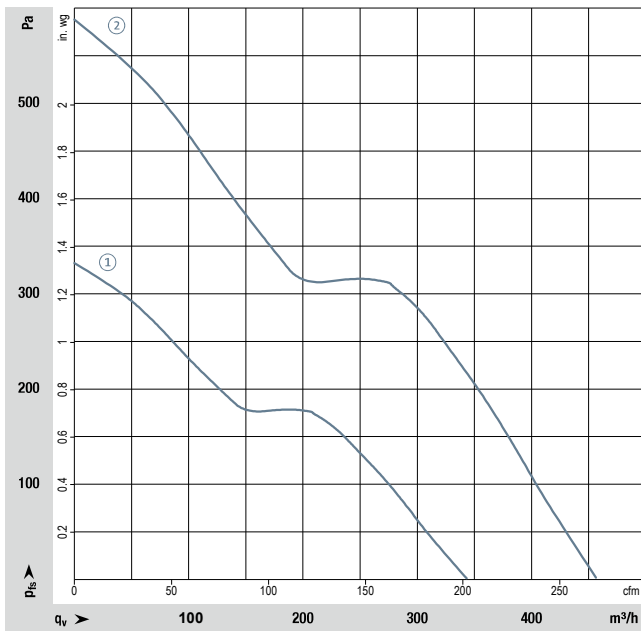
- New developed flow geometry
- New one-phase motor concept
- Powerful electronics
- Air flow direction: Exhaust over struts
- Rotational direction: Counterclockwise, looking towards rotor
- Material Housing: Medium Power: Plastic (PBT), High Power: Aluminum
- Material Impeller: Plastic (PA)
- Tach output
- PWM control input

More at

www.ebmpapst.com/compactfans

Optional

- Go/NoGo alarm
- Alarm with speed limit
- Temperature sensor for speed control
- Analog control input
- Salt spray protection
- Degree of protection up to IP68
- EMC class B according to EN55022



Nominal data		Air flow*	Air flow*	Nominal voltage	Voltage range	Sound pressure	Sound power level	Sintered sliding bearing Ball bearing	Power consumption*	Max. input current	Nominal speed	Temperature range	Mass	Curve	Powerclass
Type	part no.	m³/h	cfm	VDC	VDC	dB(A)	Bel (A)	<input type="checkbox"/>	Watt	Watt	rpm	°C	kg		
VWC0120KUJBS	8315100143	345	203	12	10,8...13,2	59	7,0	<input checked="" type="checkbox"/>	30	35	6.500	-20...+70	0,3	①	Medium
VWC0120KUJBS	8315100142	345	203	24	16...28	59	7,0	<input checked="" type="checkbox"/>	30	35	6.500	-20...+70	0,3	①	Medium
VWC0120KUJBS	8315100144	345	203	48	36...60	59	7,0	<input checked="" type="checkbox"/>	30	35	6.500	-20...+70	0,3	①	Medium
VWC0120KUJBS	8315100183	462	272	24	16...30	66	7,7	<input checked="" type="checkbox"/>	65	120	8.700	-20...+70	0,4	②	High
VWC0120KUJBS	8315100145	462	272	48	36...60	66	7,7	<input checked="" type="checkbox"/>	65	120	8.700	-20...+70	0,4	②	High

All dimensions in mm. Data sheets available on request. Subject to technical changes.
*in free air operation