

HG 4000 E
HG 5000 E

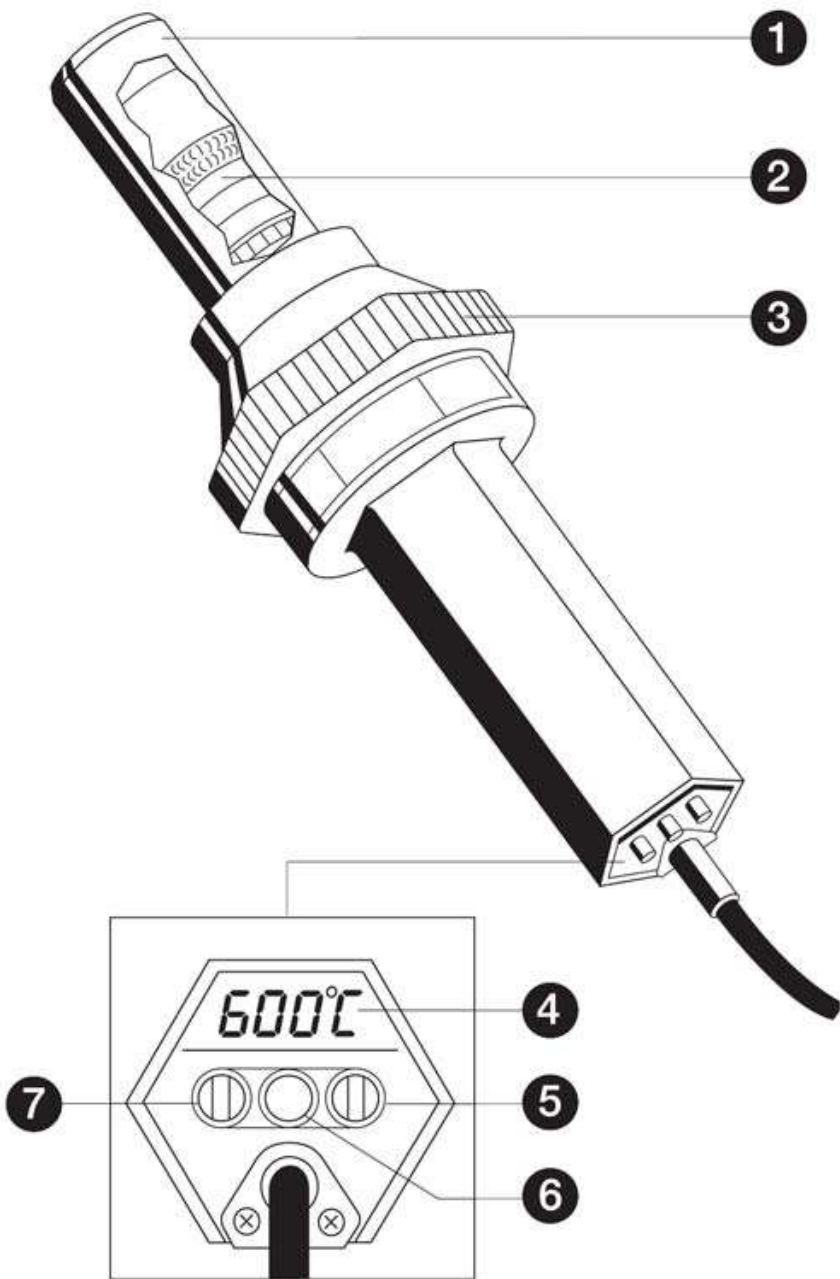


STENEL

Operating instructions

STENEL

HG 4000 E / HG 5000 E



GB Operating Instructions



Hot air gun – specifications

- Fully electronic temperature and air flow monitoring
- Air flow and temperature infinitely variable
- Intelligent motor and temperature control
- Temperature display showing target and actual temperature
- Heating element easily changed
- Brushless motor for long service life
- Sturdy, one-piece housing
- Power cord can be changed without opening the housing

Features

Components

- ① Hot air outlet nozzle (HG 4000 E: 40 mm dia., HG 5000 E: 50 mm dia.)
- ② Heating element
- ③ Rubber bumper
- ④ LED segment display
- ⑤ Temperature regulator
- ⑥ ON/OFF switch
- ⑦ Air-flow switch

Technical Specifications

	HG 4000 E			HG 5000 E
Voltage:	100 V	110 V	230–240 V/50 Hz	230–240 V/50 Hz
Output:	1500 W	1650 W	1750 W	3400 W
Temperature:	25–600°C, infinitely variable			25–600°C, infinitely variable
Display type:	LED segment display			LED segment display
Air-flow control:	Infinitely variable			Infinitely variable
Max. air-flow rate:	max. 600 l/min.			max. 800 l/min.
Air pressure:	3000 Pa			3000 Pa
Air outlet nozzle:	40 mm dia.			50 mm dia.
Motor service life:	approx. 20,000 hrs.			approx. 20,000 hrs.
Heating element service life:	approx. 500–800 hrs.			approx. 500–800 hrs.
Power cord:	H07 RN-F 2 x 1 Length: 2.5 m			H07 RN-F 2 x 1,5 Length: 2.5 m
Weight (without power cord):	1115 g			1190 g
Dimensions:	Length: 370 mm 122 mm dia. (at rubber bumper ③)			Length: 350 mm 122 mm dia. (at rubber bumper ③)

Safety Notification

Caution! When using electric power tools, observe the following basic safety precautions to avoid electric shock as well as the risk of injury and fire. Read and observe this information before using the tool.

■ **Fire may be caused if the tool is not used with care.**

■ **Take ambient conditions into account.**

- Do not expose power tools to rain.
- Do not use power tools when they are damp or in damp or wet surroundings.
- Exercise care when using the tool in the proximity of combustible materials. Do not direct the tools at one and the same place for a prolonged period.
- Do not use in the presence of an explosive atmosphere.
- Heat may be conducted to combustible materials that are out of sight.

■ **Protect yourself from electric shock.**

- Avoid touching grounded equipment, such as piping, radiators, cookers, refrigerators.

■ **Do not leave the appliance unattended while in operation.**

■ **Store your tools in a safe place.**

- Place tool on its stand after use and allow to cool before storage.

- Tools that are not in use should be stored in a dry, locked room and be out of the reach of children.

■ **Do not overload the tool.**

- Your work results and safety will be enhanced if you operate the tool within the specified output range.
- After using the tool for a prolonged period at 600° C, you should reduce the temperature before switching it off. This will prolong the service life of the heating element.

■ **Beware of toxic gases and ignition hazards.**

- Toxic gases may occur when working on plastics, paints, varnishes or similar materials. Beware of fire or ignition hazards.

■ **Do not misuse the power cord.**

- Do not carry the tool by the power cord and do not use it to pull the plug from the power socket outlet. Protect the power cord from heat, oil and sharp edges.

■ **Caution**

- For your own safety, use only accessories and attachments that are given in the operating instructions or recommended or specified by the tool manufacturer. Using attachments or accessories other than those

recommended in the operating instructions or catalogue may result in personal injury.

■ **Repairs only by qualified electricians.**

- This power tool complies with the relevant safety regulations. Repairs should only be performed by a qualified electrician, otherwise the user may run the risk of accidents.

■ **Failure to observe the operating instructions may turn the tool into a source of danger.**

■ **Keep these safety notifications in a safe place.**

Operation

Switch the tool on with ON/OFF switch **6**.

Use temperature switch **5** to preset the target temperature you require (25° C - 600° C). The temperature setting as well as the letter "A" to show the setting mode will appear on the LED segment display. Once the temperature has been preset, the tool will automatically display the actual temperature after approx. 3 seconds. Target and actual temperature is displayed in increments of 10° C.

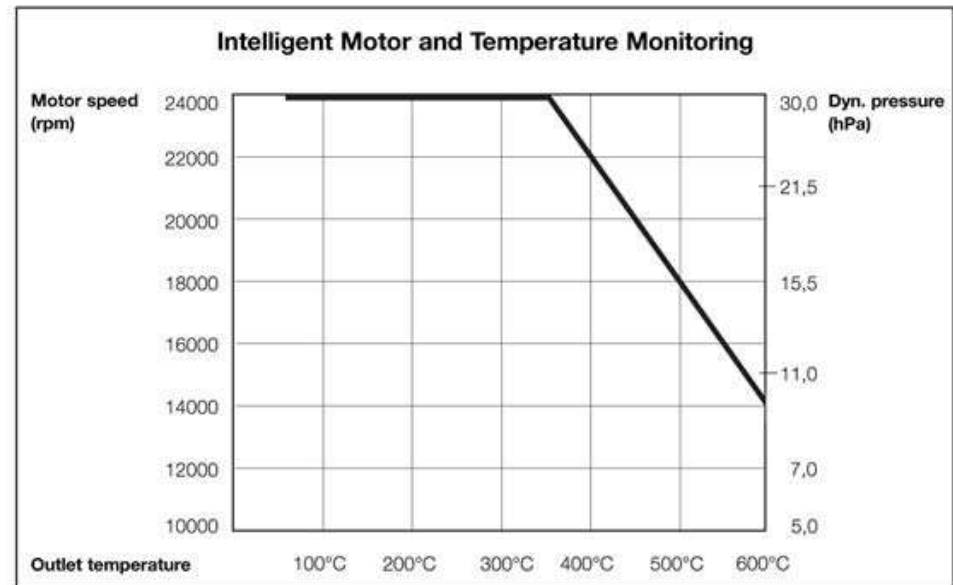
The air flow rate **7** may be infinitely varied using the airflow regulator.

The control system complies with the latest standards on mains pollution (EN 61000-3-3 Flicker standard, EN 61000-3-2 Harmonics standard).

The tool features an intelligent temperature and airflow control system that always gives priority to temperature setting (see graph). Example: To attain the maximum temperature of 600° C

with speed set to max. air flow rate, the electronics will automatically reduce air flow until 600° C is reached. The airflow rate will then increase again as soon as the temperature is reduced.

Intelligent Motor and Temperature Monitoring



Changing Heating Element

The plug-in HG 4000 E/ HG 5000 E heating element can be changed/replaced within seconds.

Each heating element contains a chip that holds its specific data. When a new heating element is installed, its parameters will be

adopted by the control electronics.

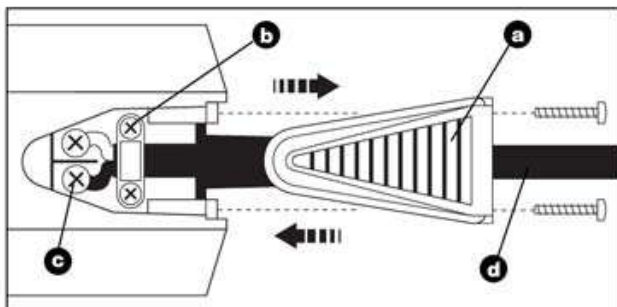


- Important!** Disconnect tool from power supply.
- Undo the 4 screws at the end of the outlet nozzle.
- Pull off heating element and replace with new one.
- Firmly re-secure output nozzle.

Changing Power Cord

If the power cord becomes damaged it can be changed/

replaced easily without opening the housing.



- Important!** Disconnect tool from power supply.
- Undo screws and detach cover cap **a**.
- Release cable grip **b**.
- Undo mains terminals **c**.
- Pull out cable **d**.
- Insert new cable and secure in reverse order (first tighten mains terminals, etc.).

Accessories / Example Applications

Accessories for HG 4000 E



40 x 2 offset flat nozzle

Applications: Plastic sheet welding using the lap weld process. Repair work on bitumen roofs.



20 x 2 offset flat nozzle

Applications: Plastic sheet welding using the lap weld process.



5 mm round nozzle

Applications: Plastics welding. Spot heating.



10 mm round nozzle

Applications: Plastics welding. Spot heating. Use with welding nozzle.



Welding nozzle

Applications: Pushes onto 10 mm round nozzle. Welding with plastic welding wire.

Accessories for HG 5000 E



70 x 10 flat nozzle

Applications: For concentrating air flow.



74 x 3 offset flat nozzle

Applications: Plastic sheet welding using the lap weld process.

Auxiliary tools for HG 4000 E / HG 5000 E



Feed roller

Applications: For pressing down edgebands, PVC filler strip.



Welding wire feed roller

Applications: For pressing down welding wire.

CE Declaration of conformity

This product is in conformity with standards of low voltage in accordance with

the regulations 73/23/EEC, 89/336/EEC.

Functional Guarantee

This STEINEL product has been manufactured with great care, performance and safety tested according to current regulations, and then subjected to a batch test.

STEINEL guarantees that it is in perfect condition and functions correctly. The correct working order of this product is guaranteed for a period of 12 months commencing on the date of sale to the user. All defects due to faulty material or manufacturing will be corrected. This warranty does not cover damage to wear parts, e.g. heating element, power cord, or damage and faults caused by incorrect operation and maintenance. Breakage due to a fall is also not covered. Further consequential damage to other items is excluded.

Claims under the guarantee will only be granted if the product, not disassembled, with sales slip or invoice (date of purchase and dealer's stamp) is sent, well packed, to the appropriate Service Centre, or handed in to the dealer within the first 6 months.

Repair-Service
Our customer service department will repair faults not covered by the guarantee, or after the guarantee has expired. Please send the product, well packed, to the nearest Service Centre.

FUNCTIONAL
12 month
WARRANTY

STEINEL®

9051 Lyndale Avenue South, Bloomington, MN 55420

Phone: (800) 852-4343 Fax: (866) 388-5132

www.steinel.net sales@steinel.net