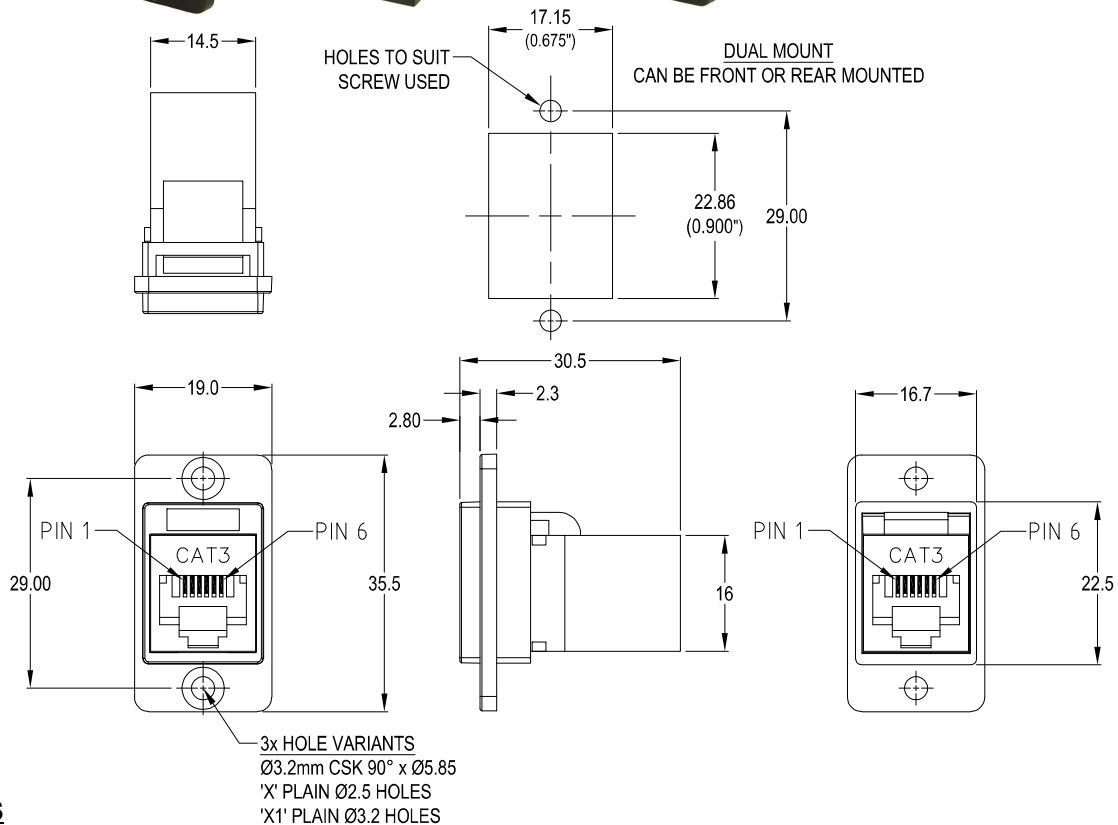


CLIFF

DUALSLIM CAT3 RJ12 6P6C FEEDTHROUGH CONNECTOR

Can be front or rear mounted in the panel



VARIANTS

Part No.

CP30724

DUALSLIM Cat3 RJ12 6P6C Black plastic frame, CSK holes

CP30724X

DUALSLIM Cat3 RJ12 6P6C Black plastic frame, Ø2.5 PLAIN holes

CP30724X1

DUALSLIM Cat3 RJ12 6P6C Black plastic frame, Ø3.2 PLAIN holes

Feedthrough Features

- Fits standard rectangular cutout.
- Front or rear mounting through the panel.
- Various hole mounting options.
- No soldering or punch termination. Use standard cable for each connector style.
- Low rear profile.

Material:

1. RJ12 In-Line Coupler: PC/ABS, UL94 V-0 Black
2. RJ12 In-Line Coupler Contact:
Phosphor Bronze, 3-50 micro inches
gold plating over nickel plate.
3. PCB: FR4, UL94 V-0
4. FT Frame: Polyamide UL 94V-2
5. Operating Temperatures: Min -10°C Max +60°C

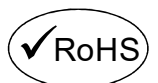
General:

Please note: Functionality is affected by cable quality, length and cable wiring configuration.

© CLIFF 06/2023 ISS.1

For further information, contact sales@cliffuk.co.uk

Cliff Electronic Components Limited,
76 Holmethorpe Avenue, Holmethorpe Ind. Estate,
Redhill, Surrey RH1 2PF U.K.
Tel: +44 (0)1737 771375 Fax: +44 (0)1737 766012



Visit us online at:
www.cliffuk.co.uk