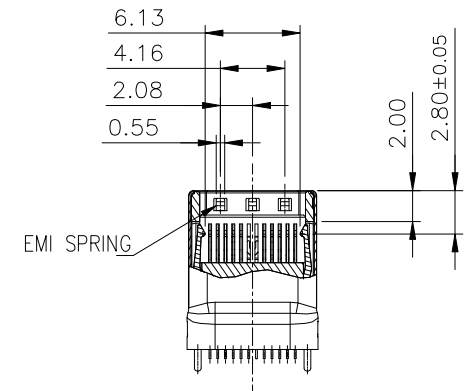
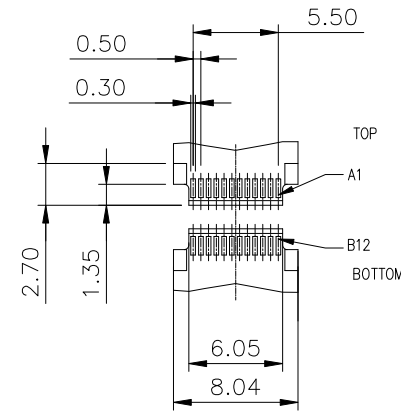
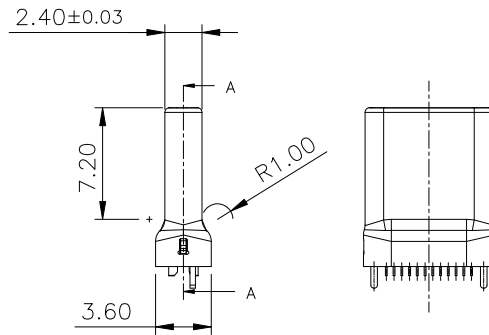
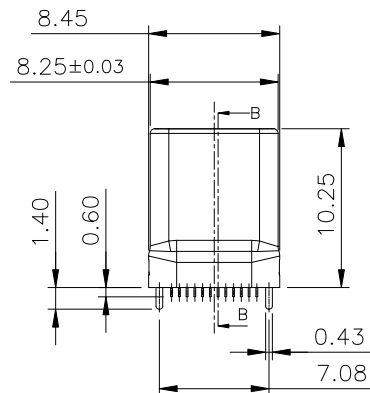
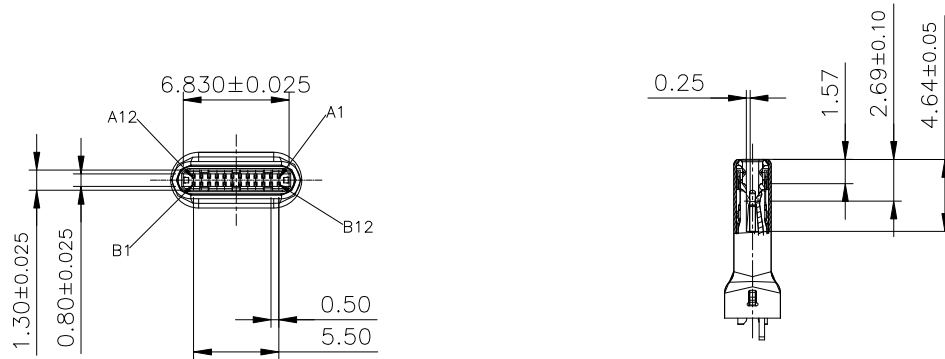
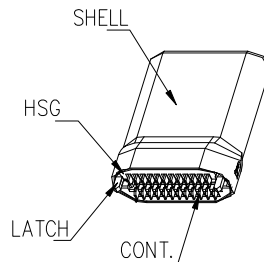
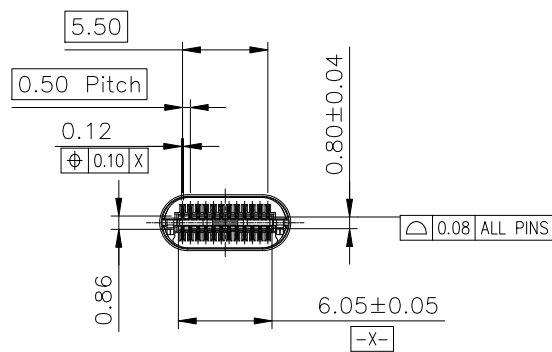


PRODUCT NUMBER
SEE PART NO. SCHEME



RECOMMEND P.C.B LAYOUT
TOLERANCES: ±0.05; PCB T=0.80mm

SECTION A-A
SCALE 1:1



mat'l. code		surface		tolerance	projection	product family		
ltr		ecn no	dr	date	tolerances unless otherwise specified		USB	
A			TAI	2015-10-16	angles	X.X±0.3	title	
					mm	X.XX±0.15		
					X°±3°	scale	USB 3.1 TYPE C PLUG CONNECTOR ASSY WITH OUTER SHELL, NO PCB	
					dr	KENNY TAI	2015-09-21	dwg no
					enr	KENNY TAI	2015-09-21	
					chr	KENNY TAI	2015-10-06	sheet 1 of 2
					appd	PM ZHENG	2015-10-16	size
								A4
sheet index	revision sheet	A	A					type
		1	2					CUSTOMER Drawing



PRODUCT NUMBER
SEE PART NO. SCHEME

PIN DESCRIPTION

A12	A11	A10	A9	A8	A7	A6	A5	A4	A3	A2	A1
GND	RX2-	RX2+	VBus	VBus1	D-	D+	CC	VBus	TX1+	TX1-	GND
GND	TX2+	TX2-	VBus	Vconn			SBU2	VBus	RX1-	RX1+	GND
B1	B2	B3	B4	B5	B6	B7	B8	B9	B10	B11	B12

NOTES:

1. MATERIAL:
 - 1.1 HSG: HIGH TEMPERATURE THERMOPLASTIC UL94V-0 BLACK;
 - 1.2 CONTACT: COPPER ALLOY
 - 1.3 LATCH: STAINLESS STEEL
 - 1.4 EMI SPRING: STAINLESS STEEL
 - 1.5 SHELL: STEEL
2. FINISH:
 - 2.1 CONTACT:
 - SEE P/N SCHEME FOR Au PLATING ON CONTACT AREA.
 - TIN PLATING ON SOLDERTAIL AREA.
 - NICKEL UNDERPLATING ON ALLOVER AREA.
 - 2.2 SHELL
 - TIN PLATING ON SOLDERTAIL AREA.
 - NICKEL UNDERPLATING ON ALLOVER AREA.
 - 2.3 LATCH:
 - TIN PLATING ON SOLDERTAIL AREA.
 - NICKEL UNDERPLATING ON ALLOVER AREA.
3. PRODUCT SPECIFICATION: GS-12-1336
4. PACKAGE SPECIFICATION: GS-14-2487

PART NO. SCHEME:
10137067-000 X X LF

CONTACT PLATING PACKAGING
 1. GOLD FLASH 1. TRAY
 2. 30u" Au

mat'l. code		surface <input checked="" type="checkbox"/>		tolerance		projection		product family	
ltr		ecn no		dr		date		USB	
								title	
								USB 3.1 TYPE C PLUG CONNECTOR ASSY WITH OUTER SHELL, NO PCB	
								scale	
								dwg no	
								sheet 2 of 2	
								size	
								A4	
								type	
								CUSTOMER Drawing	
sheet index		revision sheet		A 1		A 2			

