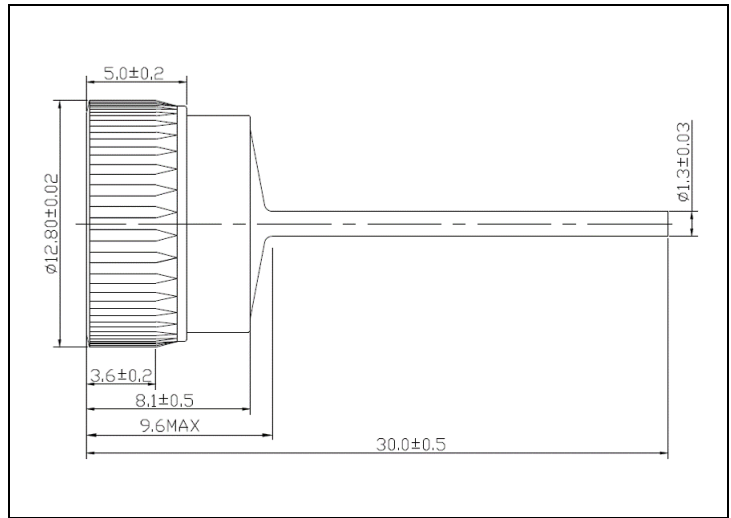


### Features

- High Power Capability
- High Temperature Application
- Low Leakage
- Open Junction Technic
- Suffix "-Q1" for AEC-Q101

### Polarity

- V35P-Q1- Cathode Toward to Case
- V35N-Q1- Anode Toward to Case



### Maximum Ratings (Ta=25°C)

| CHARACTERISTIC  | SYMBOL          | RATING  | UNIT |
|---|-----------------|---------|------|
| Average Forward Current   | $I_{F(AV)}$     | 35      | A    |
| Non-repeative Forward Peak Surge Current<br>(Half Sine Wave, 50Hz, 1 Cycle) | $I_{FSM}$       | 420     | A    |
| Maximum Repeative Peak Reverse Voltage                                      | $V_{RRM}$       | 300     | V    |
| Junction Temperature  | $T_j$           | -40~215 | °C   |
| Thermal Resistance Junction to Case   | $R_{\theta JC}$ | 0.7     | °C/W |

### Electrical Characteristics (Ta=25°C)

| CHARACTERISTIC                                    | SYMBOL     | TEST CONDITION                   | VALUE | UNIT |
|---|------------|----------------------------------|-------|------|
| Maximum Forward Voltage                           | $V_{FM}$   | $I_{FM}=100A, PW=0.3mS$          | 1.12  | V    |
| Maximum Reverse Current                           | $I_{RRM1}$ | $V_{RRM}=300V$                   | 1     | uA   |
| Maximum Reverse Current<br>Under High Temperature | $I_{RRM2}$ | $T_a=150^{\circ}C, V_{RRM}=300V$ | 300   | uA   |
| Minimum Breakdown Voltage                         | $V_{BR}$   | $I_B=10uA, T=10mS$               | 350   | V    |

## Rating And Characteristic Curves

