

Straight 50Ω RF Adapter BNC Socket to BNC Socket 4GHz

**RoHS
Compliant**

Stock No.: 1702537A060

FEATURES

- 50Ω impedance
- BNC Socket to BNC Socket
- 4GHz



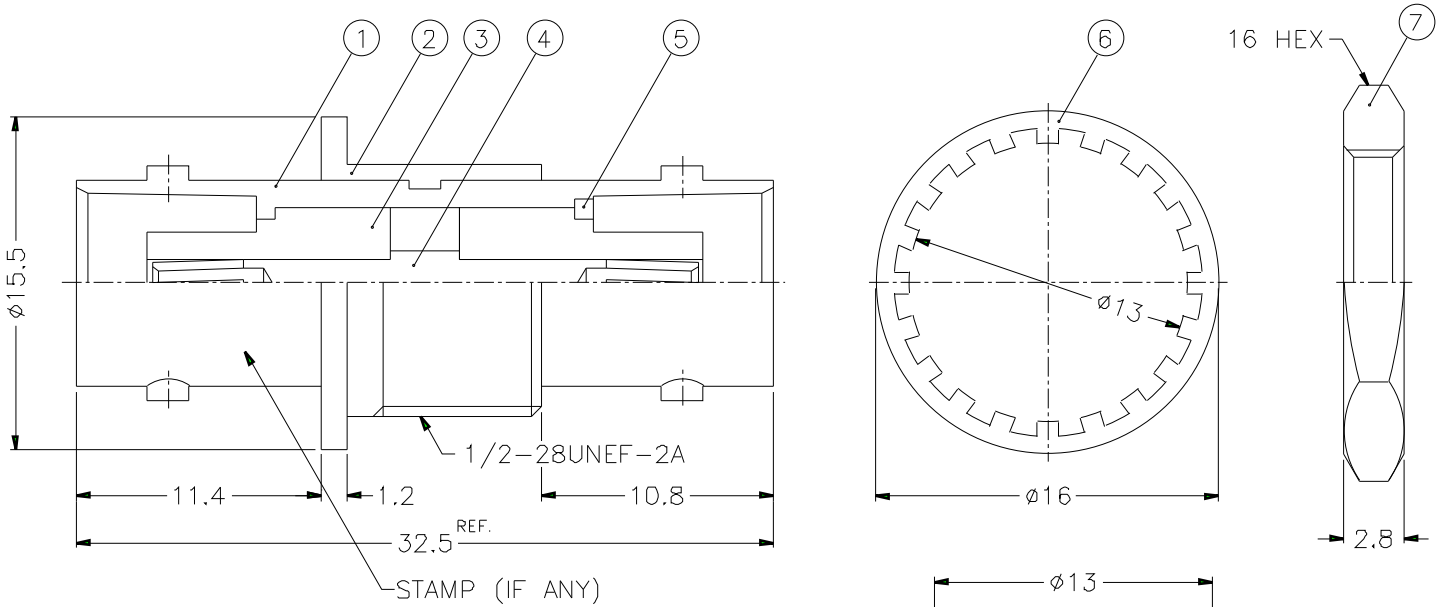
Product Description

Adaptors to facilitate interconnections between common connectors – Straight 50Ω RF Adapter BNC Socket to BNC Socket 4GHz.

General Specifications

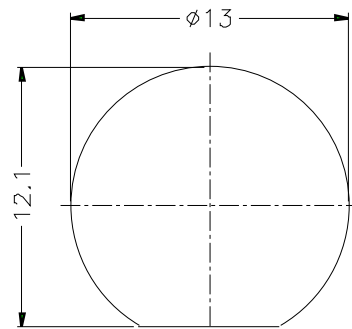
Attribute	Value
Adapter Type A	BNC
Adapter Type B	BNC
Gender A	Female
Gender B	Female
Impedance	50Ω
Body Orientation	Straight
Operating Frequency	4GHz
Contact Plating	Gold over Nickel
Length	32.5mm
Body Plating	Nickel over Copper
Contact Material	Phosphor Bronze

Product Drawing



NOTES: FINISH (PLATING THICKNESS IN MICRO-INCHES)

1. BRASS PER QQ-B-626
2. BRASS PER QQ-B-613
3. NICKEL PL. 100 MIN. THICK OVER COPPER STRIKE
4. PHOSPHOR BRONZE PER QQ-B-750
5. GOLD PL. 3 MIN. THICK OVER NICKEL PL. 100 MIN. THICK OVER COPPER STRIKE



RECOMMENDED MOUNTING HOLE

1. MAX. PANEL THICKNESS=5.5mm

Dimensions: Millimeters (Inches)

Part Number Table

Part Number	Description
1702537A060	Straight 50Ω RF Adaptor BNC Socket to BNC Socket 4GHz

Important Notice: This data sheet and its contents (the "Information") belong to the members of the EASE group of companies (the "Group") or are licensed to it. No license is granted for the use of it other than for information purposes in connection with the products to which it relates. No license of any intellectual property rights is granted. The Information is subject to change without notice and replaces all data sheets previously supplied. The Information supplied is believed to be accurate, but the Group assumes no responsibility for its accuracy or completeness, any error in or omission from it or for any use made of it. Users of this data sheet should check for themselves the Information and the suitability of the products for their purpose and not make any assumptions based on information included or omitted. Liability for loss or damage resulting from any reliance on the Information or use of it (including liability resulting from negligence or where the Group was aware of the possibility of such loss or damage arising) is excluded. This will not operate to limit or restrict the Group's liability for death or personal injury resulting from its negligence. EASE is the registered trademark of Ease Electronics Co., Limited 2019.