

Straight 50Ω RF Adapter N Socket to 7/16 Plug 7.5GHz.

**RoHS
Compliant**

Stock No.: 2957380A024

FEATURES

- 50Ω impedance
- N Socket to 7/16 Plug
- 7.5GHz



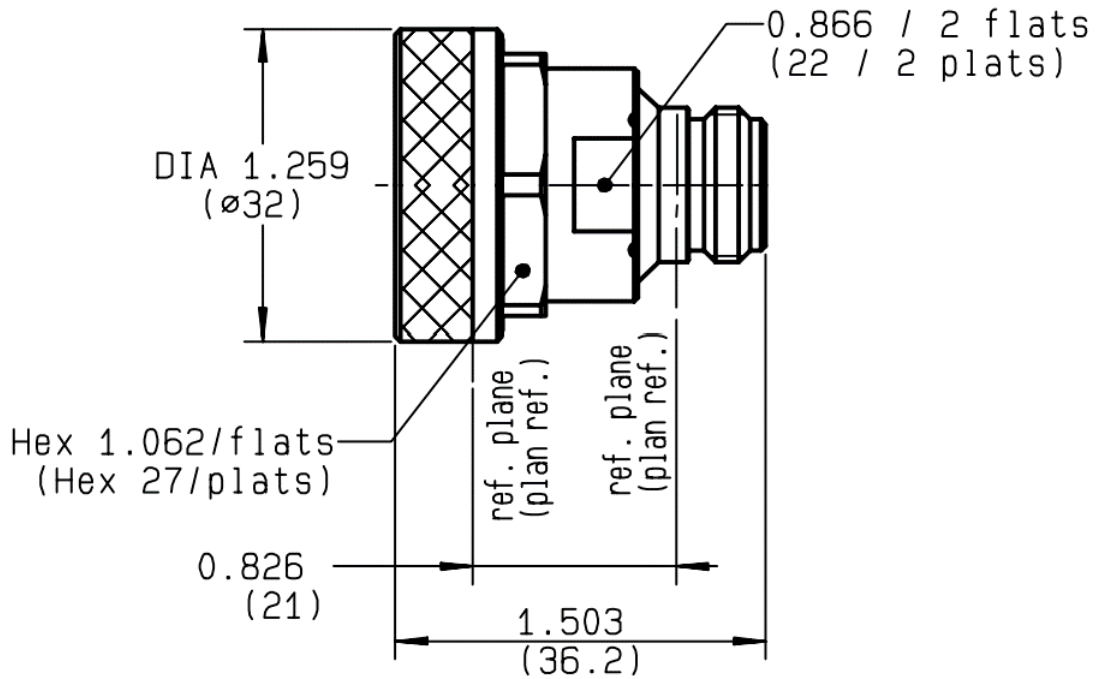
Product Description

Adaptors to facilitate interconnections between common connectors – Straight 50Ω RF Adapter N Socket to 7/16 Plug 7.5GHz.

General Specifications

Attribute	Value
Adapter Type A	N
Adapter Type B	7/16
Gender A	Female
Gender B	Male
Impedance	50Ω
Body Orientation	Straight
Operating Frequency	7.5GHz
Contact Plating	Silver over Copper
Length	36.2mm
Body Plating	Bronze over Silver
Contact Material	Beryllium Copper

Product Drawing



Dimensions: Millimeters (Inches)

Part Number Table

Part Number	Description
2957380A024	Straight 50Ω RF Adapter N Socket to 7/16 Plug 7.5GHz

Important Notice: This data sheet and its contents (the "Information") belong to the members of the EASE group of companies (the "Group") or are licensed to it. No license is granted for the use of it other than for information purposes in connection with the products to which it relates. No license of any intellectual property rights is granted. The Information is subject to change without notice and replaces all data sheets previously supplied. The Information supplied is believed to be accurate, but the Group assumes no responsibility for its accuracy or completeness, any error in or omission from it or for any use made of it. Users of this data sheet should check for themselves the Information and the suitability of the products for their purpose and not make any assumptions based on information included or omitted. Liability for loss or damage resulting from any reliance on the Information or use of it (including liability resulting from negligence or where the Group was aware of the possibility of such loss or damage arising) is excluded. This will not operate to limit or restrict the Group's liability for death or personal injury resulting from its negligence. EASE is the registered trademark of Ease Electronics Co., Limited 2019.