

**Straight 50Ω RF Adapter SMA
Socket to SMA Socket 18GHz.**

**RoHS
Compliant**

Stock No.: 2956494A016

FEATURES

- 50Ω impedance
- SMA Socket to SMA Socket
- 18GHz



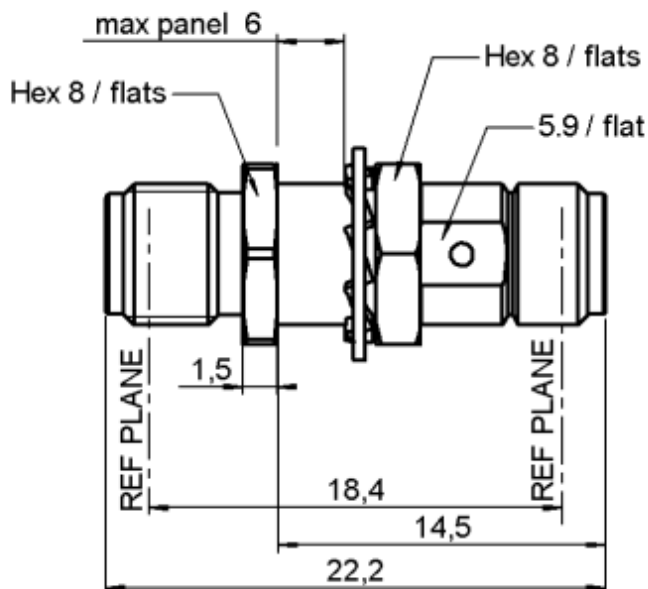
Product Description

Adaptors to facilitate interconnections between common connectors – Straight 50Ω RF Adapter SMA Socket to SMA Socket 18GHz.

General Specifications

Attribute	Value
Adapter Type	SMA Socket to SMA Socket
Adapter Type A	SMA
Adapter Type B	SMA
Gender A	Female
Gender B	Female
Impedance	50Ω
Body Orientation	Straight
Operating Frequency	18GHz
Polarity	Normal
Contact Plating	Gold over Nickel
Length	22.2mm
Contact Material	Beryllium Copper

Product Drawing



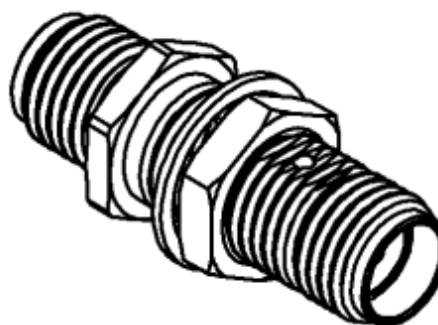
PANEL CUT OUT



mm		
	Maxi	mini
A	6.5	6.4
B	6.1	6



Scale : 1/1



Dimensions: Millimeters (Inches)

Part Number Table

Part Number	Description
2956494A016	Straight 50Ω RF Adaptor SMA Socket to SMA Socket 18GHz

Important Notice: This data sheet and its contents (the "Information") belong to the members of the EASE group of companies (the "Group") or are licensed to it. No license is granted for the use of it other than for information purposes in connection with the products to which it relates. No license of any intellectual property rights is granted. The Information is subject to change without notice and replaces all data sheets previously supplied. The Information supplied is believed to be accurate, but the Group assumes no responsibility for its accuracy or completeness, any error in or omission from it or for any use made of it. Users of this data sheet should check for themselves the Information and the suitability of the products for their purpose and not make any assumptions based on information included or omitted. Liability for loss or damage resulting from any reliance on the Information or use of it (including liability resulting from negligence or where the Group was aware of the possibility of such loss or damage arising) is excluded. This will not operate to limit or restrict the Group's liability for death or personal injury resulting from its negligence. EASE is the registered trademark of Ease Electronics Co., Limited 2019.