

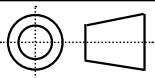
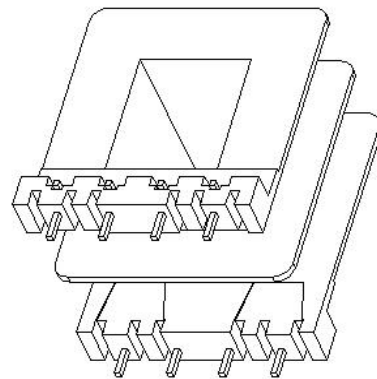
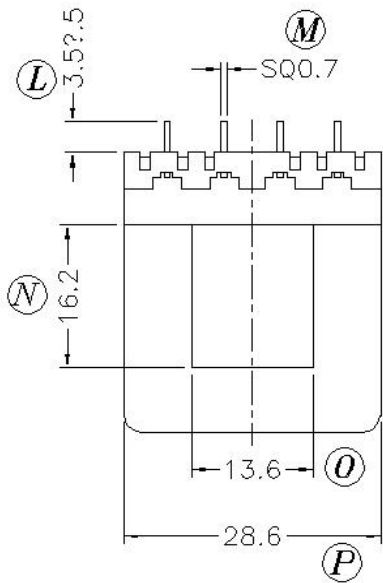
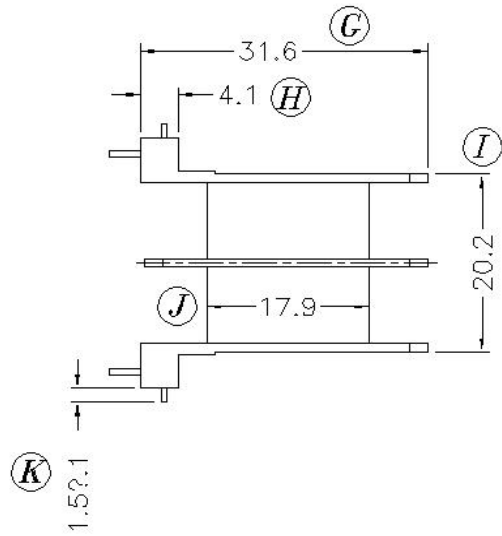
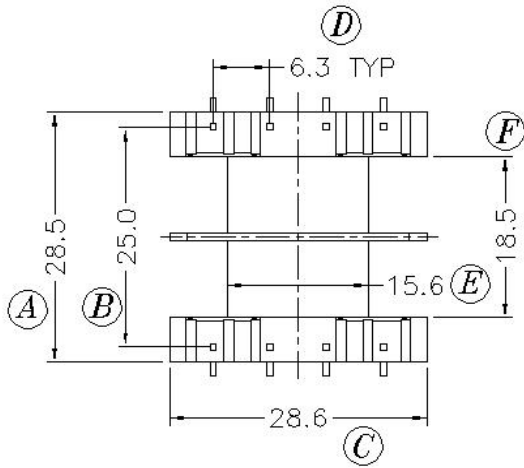


**Core Fit Reference**

0117

EI-41  
Metric

EI-50  
American



| Scale | Tolerance (mm) |               |                |
|-------|----------------|---------------|----------------|
| None  | 0-4mm +/-0.1   | 4-16mm +/-0.2 | 16-60mm +/-0.3 |

| Terminal Plating | Terminal Material | No of Terminals |  |
|------------------|-------------------|-----------------|--|
| 100% Sn          | CP Wire           | 8               |  |



| Molding Material       | UL File No. | Rating  | Class  |
|------------------------|-------------|---------|--------|
| 70G33L                 | E41938      | UL94-HP | F      |
| Bobbin Part Number     |             |         | Rev No |
| B-EIM41X16-5H-8-2-GFN2 |             |         | 1      |