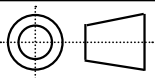
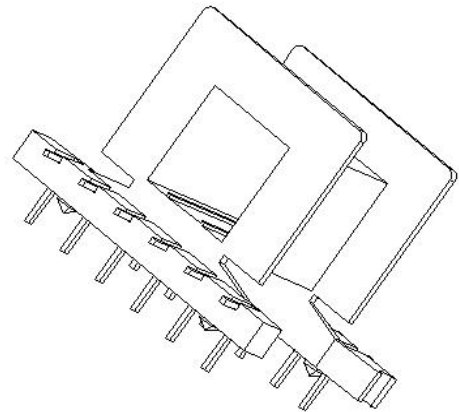
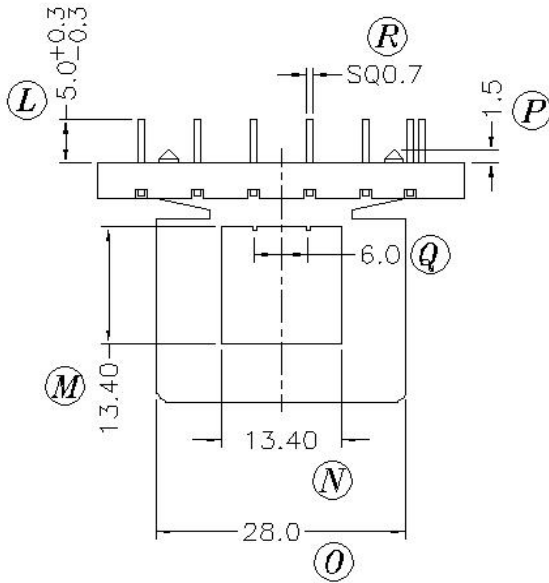
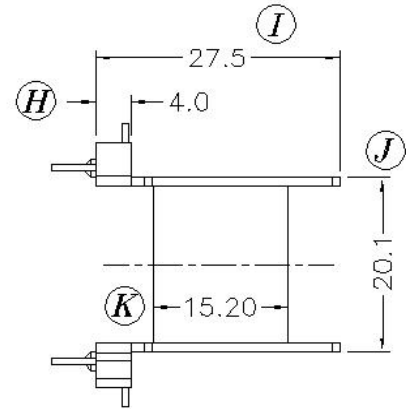
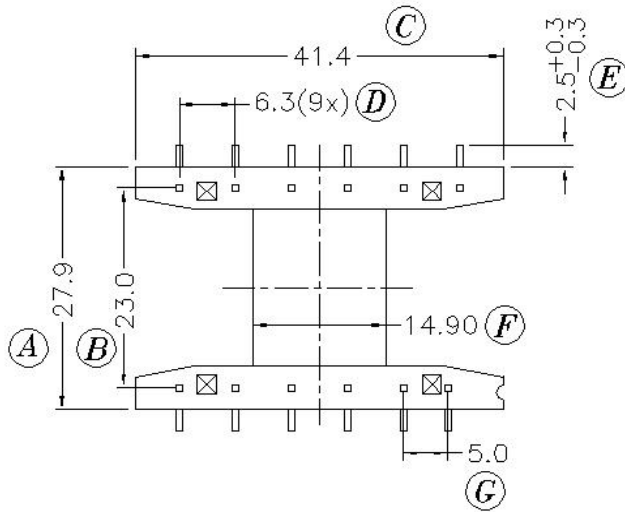


**Core Fit Reference**

<b>0100</b>		<b>EI-41</b>	<b>EI-50</b>
		<b>Metric</b>	<b>American</b>



Scale	Tolerance (mm)			Terminal Plating	Terminal Material	No of Terminals	
None	0-4mm +/-0.1	4-16mm +/-0.2	16-60mm +/-0.3	100% Sn	CP Wire	12	

Molding Material	UL File No.	Rating	Class
FR530	E41938	UL94-V0	N

**LODESTONE PACIFIC**  
  
**CHINA FACTORY**  
[www.lodestonepacific.com](http://www.lodestonepacific.com)

Bobbin Part Number			Rev No
<b>B-EIM41X13-1H-12-1-PET</b>			<b>1</b>