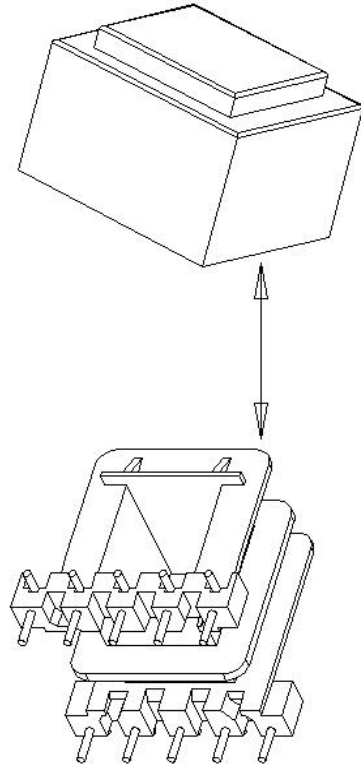
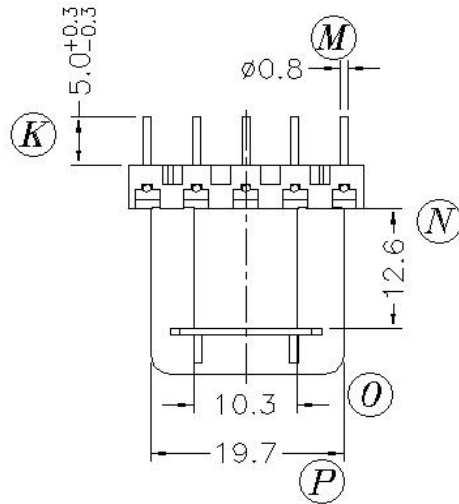
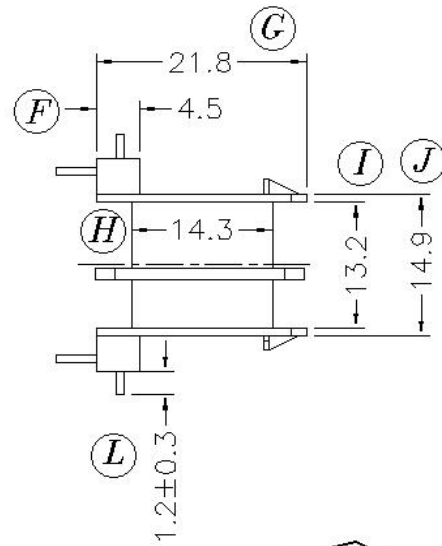
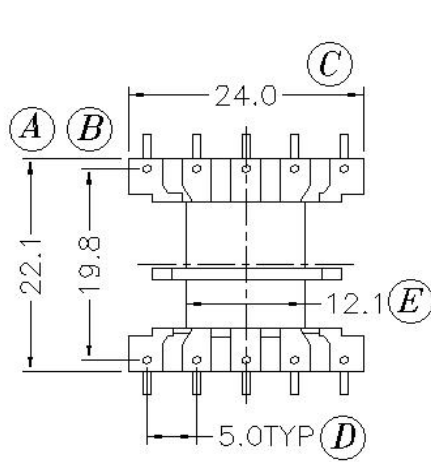
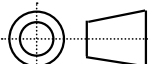


Core Fit Reference

0037		EI-30	EI-37
		Metric	American



CAN BE USED WITH CASE
 BC-EIM30X12H-10-2-GFN

	Scale	Tolerance (mm)			Terminal Plating	Terminal Material	No of Terminals	
	None	0-4mm +/-0.1	4-16mm +/-0.2	16-60mm +/-0.3	100% Sn	CP Wire	10	



Molding Material	UL File No.	Rating	Class
FR50	E41938	UL94-V0	F
Bobbin Part Number			Rev No
B-EIM30X12H-10-2-GFN			1