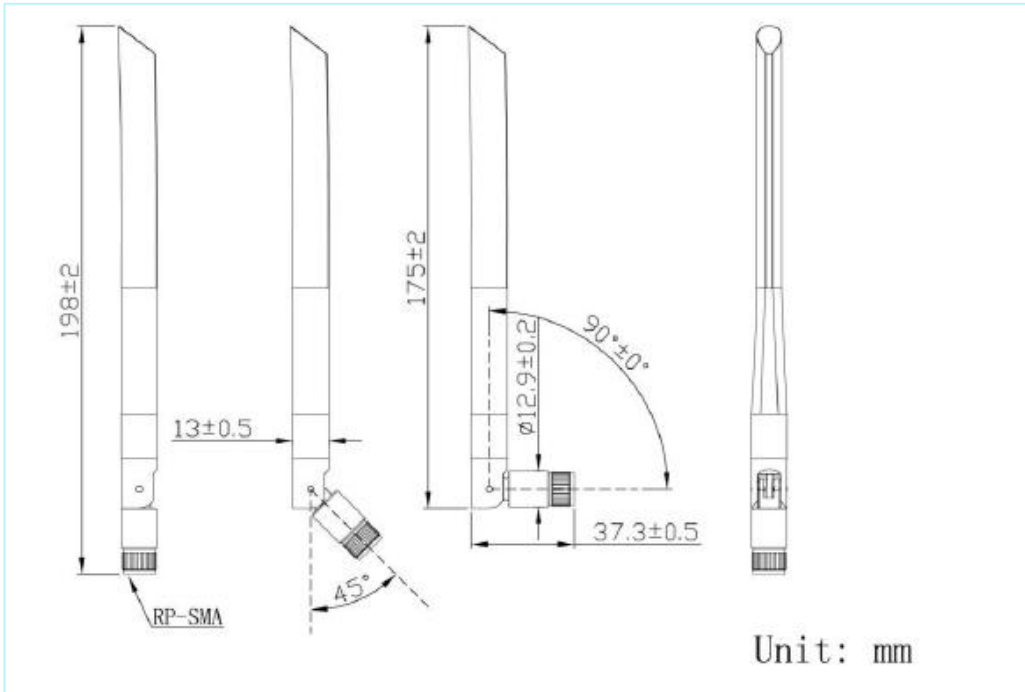


5G Antenna Monopole Suitable For 5G, 4G LTE, 3G And Wifi Signal Boosting

AN_Master_003



Mechanical dimension



5G Antenna

Specifications

Item	Specifications	
Antenna	Center Frequency	698~3800MHz
	Polarization	Linear
	Gain	3dBi typ.
	V.S.W.R	<3.0
	Impedance	50Ω
	Connector	SMA Male
Environmental	Operating Temperature	-40°C~+85°C
	Vibration	10 to 55Hz with 1.5mm amplitude 2hours
	Environmentally Friendly	ROHS Compliant

5G Antenna

Return Loss & V.S.W.R

