

Jack Panel Mount BNC Connector, 50Ω, Solder Termination, Straight Body

Compliant

Stock No.: 1648785C103

FEATURES

- 50Ω impedance
- Up to 4Ghz
- Panel Mount



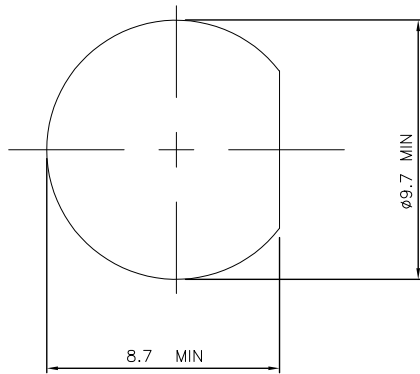
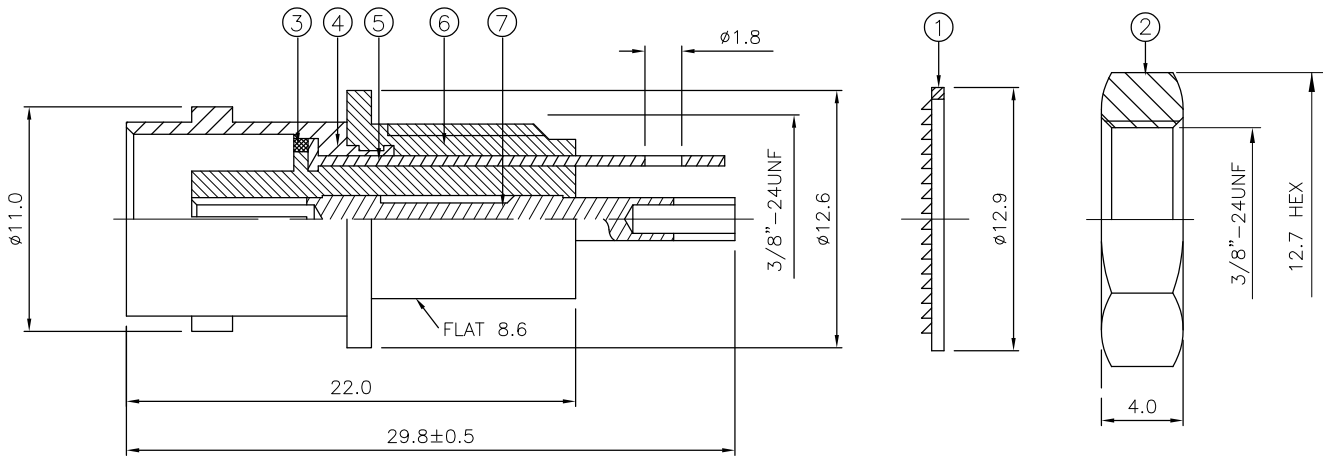
Product Description

50 Ohm Professional Grade BNC front mount bulkhead solder jacks with hex nut panel mount retention and a D-shape panel cut-out. These 50 Ohm bulkhead solder sockets have brass bodies and contacts which are available with a variety of plating along with a variety of dielectric materials, please refer to table for details.

General Specifications

Attribute	Value
Gender	Female
Coaxial Connector Type	BNC Connector
Mounting Type	Panel Mount
Impedance	50Ω
Termination Method	Solder
Body Orientation	Straight
Bulkhead	Yes
Operating Frequency	0 to 4GHz
Minimum Operating Temperature	-55°C
Body Plating	Nickel
Polarity	Normal
Maximum Operating Temperature	+85°C
Series	BNC
Contact Material	Brass
Contact Plating	Gold

Product Drawing



ELECTRICAL CHARACTERISTICS

FREQUENCY RANGE:	DC - 4 GHz
NOMINAL IMPEDANCE:	50 Ohms
INSULATION RESISTANCE:	5000 MOhms Min.
WORKING VOLTAGE:	500 Volts RMS at Sea Level
DIELECTRIC WITHSTAND VOLTAGE:	1500 Volts RMS Max
CONTACT RESISTANCE:	
CENTRE CONTACT:	1.50 mOhms Max
OUTER CONTACT:	1.0 mOhms Max
VSWR @ xGHz:	1.3 MAX. @1 GHz
INSERTION LOSS xdb:	0.2 dB MAX. @1 GHz

MECHANICAL CHARACTERISTICS

INTERFACE IN ACCORDANCE WITH:	MIL-STD-348A
DURABILITY:	500 MATINGS

ENVIRONMENTAL CHARACTERISTICS

OPERATING TEMPERATURE:	-40 to +60 DegC
------------------------	-----------------

MOUNTING HOLE

Dimensions: Millimeters (Inches)

Part Table

Part Number	Description
1648785C103	Jack Panel Mount BNC Connector, 50Ω, Solder Termination, Straight Body

Important Notice: This data sheet and its contents (the "Information") belong to the members of the EASE group of companies (the "Group") or are licensed to it. No license is granted for the use of it other than for information purposes in connection with the products to which it relates. No license of any intellectual property rights is granted. The Information is subject to change without notice and replaces all data sheets previously supplied. The Information supplied is believed to be accurate, but the Group assumes no responsibility for its accuracy or completeness, any error in or omission from it or for any use made of it. Users of this data sheet should check for themselves the Information and the suitability of the products for their purpose and not make any assumptions based on information included or omitted. Liability for loss or damage resulting from any reliance on the Information or use of it (including liability resulting from negligence or where the Group was aware of the possibility of such loss or damage arising) is excluded. This will not operate to limit or restrict the Group's liability for death or personal injury resulting from its negligence. EASE is the registered trademark of Ease Electronics Co., Limited 2019.