

## 3D PDF DATASHEET



 eCATALOG solutions




 BIM catalogs.net



 PART solutions



Create Your Individual 3D PDF Datasheet 

Learn How to Create Your Mechanical Product Catalog 

Learn How to Create Your BIM Product Catalog 

Reduce Your Costs in Engineering and Purchasing 

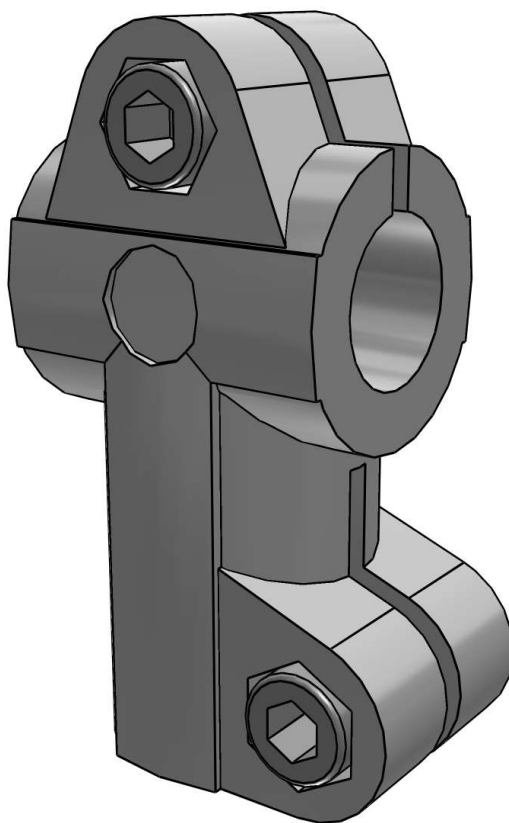


## 111500000200#ID-Winkel\_W

Solid Clamps

### 3D View

To activate the interactive 3D view, you must trust this document (see hint on the top) in Adobe Acrobat and click on the question mark.



#### Zoom

Moves you toward or away from objects in the scene when you drag vertically. You can also zoom with the hand tool by holding down Shift as you drag.

#### Pan

Moves the model vertically and horizontally only. You can also pan with the hand tool: Ctrl-drag.

#### Rotate

Turns 3D objects around relative to the screen. How the objects move depends on the starting view, where you start dragging and the direction in which you drag.

3D PDF DATASHEET



eCATALOGsolutions



BIM catalogs.net



PARTsolutions



Create Your Individual 3D PDF Datasheet ▶

Learn How to Create Your Mechanical Product Catalog ▶

Learn How to Create Your BIM Product Catalog ▶

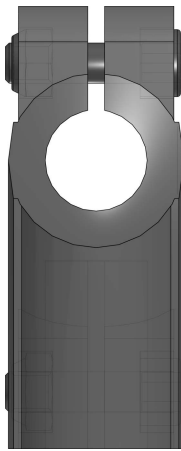
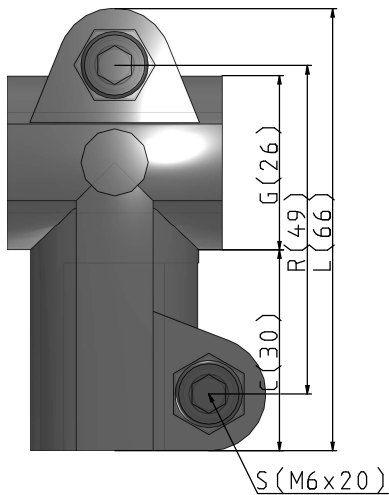
Reduce Your Costs in Engineering and Purchasing ▶

## 111500000200#ID-Winkel\_W

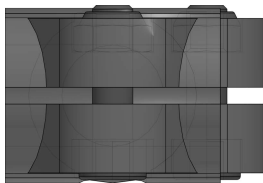
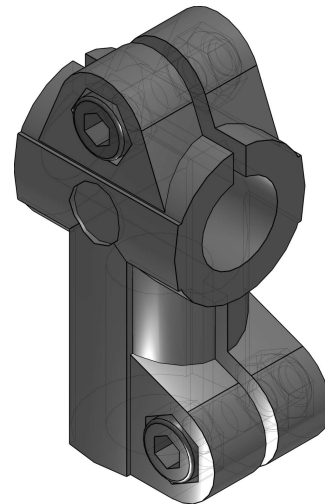
Solid Clamps



2D derivation



ISO View



## 3D PDF DATASHEET



eCATALOGsolutions



BIM catalogs.net



PARTsolutions



Create Your Individual 3D PDF Datasheet ▶

Learn How to Create Your Mechanical Product Catalog ▶

Learn How to Create Your BIM Product Catalog ▶

Reduce Your Costs in Engineering and Purchasing ▶

## 111500000200#ID-Winkel\_W

### Solid Clamps



## Technical Data

ARTIKEL (Article / mm)	Angle clamps
TYPE (Type / mm)	W 15
TYPENENGR (Nenngröße der Typen (Baugrößen))	15
BEST (Order-no.)	111500000200
OFL (surface)	ground finish
KLAVIS (clamping A)	screw
KLA (Schraube (0) oder Klemmhebel (1) an KLA)	0
KLBVIS (clamping B)	screw
KLB (Schraube (0) oder Klemmhebel (1) an KLA)	0
A (clamp diameter A / mm)	15.1
B (clamp diameter B / mm)	15.1
C (insertion depth clamping B / mm)	28
D (outer diameter B / mm)	25
E (width clamping A / mm)	32
G (outer diameter A / mm)	26
K (Distance outer diameter KLA / mm)	56
L (Total length / mm)	66
M (distance centerline - clamp diameter A / mm)	43
P (width clamping eye / mm)	23
R (distance clamping eye - centerline / mm)	49
ANFRAGE (on request / mm)	stainless steel screws
KLEMMHEBELSNR (Best.-Nummer Klemmhebel)	90209
WARTUNGSINTVALL (Maintenance interval for the item)	No Need
CNSMAT (Material)	Cast aluminium
CNSMASSEXACT (Weight / kg)	0.1
CNSSTDDTIME (standard delivery time after receipt of order)	2 Days
WEEE (Registration No. WEEE)	DE71223010
ECLASS80 (eClass V 8.0)	23-35-01-90
WARENNUMMER (Customs tariff number)	76169910
ROHSWWW (Zertifikat ROHS)	..\..\..\pool_normalien\icons-symbole\icon_rohs8bit250x250.png
REACHWWW (Zertifikat REACH)	..\..\..\pool_normalien\icons-symbole\icon_reach8bit250x250.png

## 3D PDF DATASHEET



 eCATALOG solutions




 BIM catalogs.net




 PART solutions



Create Your Individual 3D PDF Datasheet 

Learn How to Create Your Mechanical Product Catalog 

Learn How to Create Your BIM Product Catalog 

Reduce Your Costs in Engineering and Purchasing 



# 111500000200#ID-Winkel\_W

## Solid Clamps

### Bill of Materials

N°	Description	Amount
1	111500000200#Winkelklemmstück_W 15	2
1.1	X094372 Zylinderschraube M6 (L=20) (ISO4762)	1