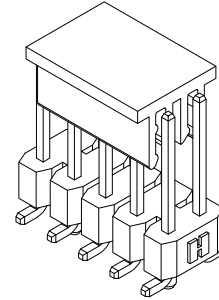
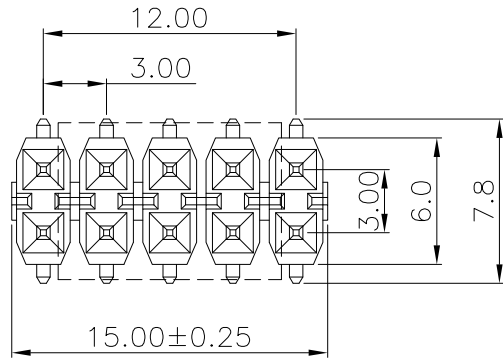


REV.	SPECIFICATION	ECN NO.	APPD.
R1		ECN230610	



**Material and Plating:**

Housing: LCP,UL94V-0,Black.  
withstands IR and VPR soldering methods.

Signal Contacts: Phosphor Bronze.  
150u"Min Matte Tin Plated over Nickel 50u"Min.

**Electrical Characteristics:**

Current Rating: 2 AMP.  
Dielectric Withstanding Voltage: AC 1000V For 1 minute.  
Insulator Resistance: 1000MΩ min. at DC 500V.  
Contact Resistance: 20mΩ max. at DC 100mA.  
Operating Temperature: -40°C~+105°C.

**\*RoHS Compliant**

**Note:**

A002 means PAD length 10.6mm with 3 points.

**IPC/ECA J-STD 002C**

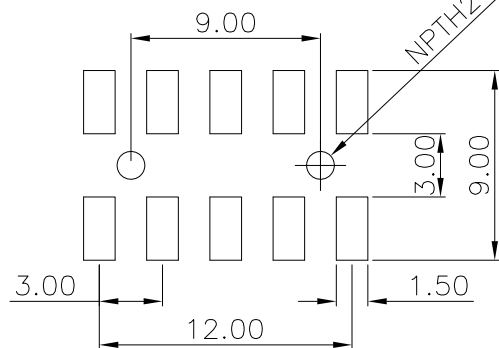
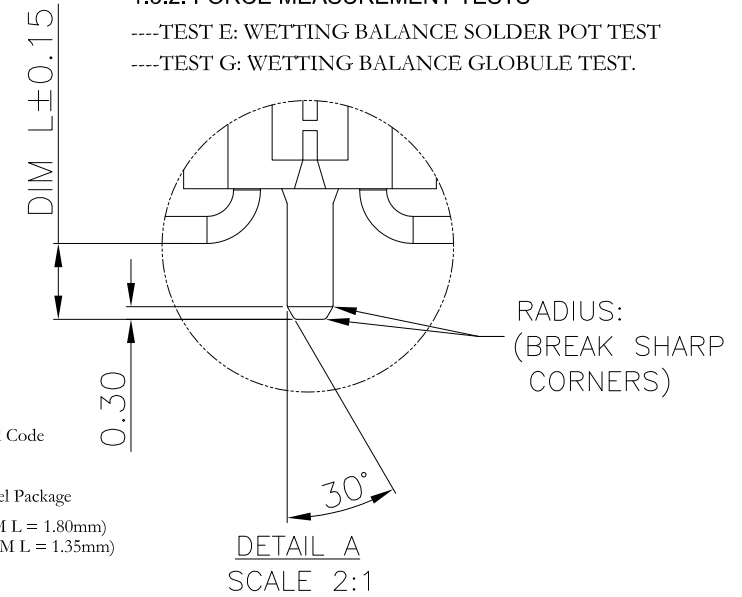
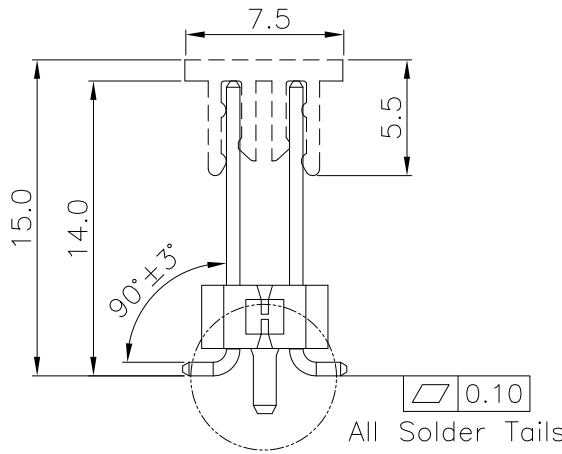
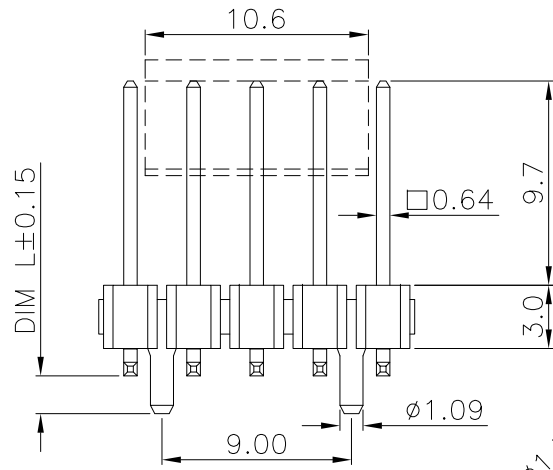
**1.31 VISUAL ACCEPTANCE CRITERIA TESTS,**

---TEST A: SOLDER BATH DIP AND LOOK TEST  
---TEST D: RESISTANCE TO DISSOLUTION/DEWETTING OF METALLIZATION TEST

---TEST S: SURFACE MOUNT PROCESS SIMULATION TEST.

**1.3.2: FORCE MEASUREMENT TESTS**

---TEST E: WETTING BALANCE SOLDER POT TEST  
---TEST G: WETTING BALANCE GLOBULE TEST.



P.C. Board Layout  
(Tolerance:±0.05)

NPTH2-Ø1.32±0.076

**0090- 2 X 05 T D X T -P -A002**

Series: 0090  
Double Row: 2  
No. of Pin Per Row: X 05  
T: Matte Tin Plated  
D: SMD Type  
Internal Code: -P -A002  
P: Plastic Pad  
T: Tape & Reel Package  
P: With Post (DIM L = 1.80mm)  
P1: With Post (DIM L = 1.35mm)

Tolerances	Dwg. No.	0090-D0000-008
x = ±0.5	Projection	
.x = ±0.25	Unit	mm
.xx = ±0.15	Scale	1:1
	Drawn By	XS 07/18'23

Title: 0090 Series  
Pin Header 3.0X3.0mm  
(0.118"X0.118")

<b>OUPIN</b>			
OUPIN ELECTRONIC(KUNSHAN) CO., LTD.			
P/N: 0090-2X05TDXT-P-A002			
SHEET	1/1	Ver.No.	R1