

## U6 Datasheet



**High performance multifunction DAQ with USB.**

**This datasheet covers all U6 variants: U6, U6-Pro, U6-OEM, and U6-Pro-OEM.**

These HTML pages form the complete datasheet, manual, and user's guide for the U6. Most information in this datasheet applies to all U6 variants. There is an [OEM section](#) with information specific to the build of OEM versions. Specifications are in [Appendix A](#). UD library documentation is in [Section 4](#).



## Reading This Document

Searching The Datasheet

To search this datasheet you can just use the search box you find on every page, and to further refine your results include "u6" or "u6 datasheet" in your search term. To specifically restrict your search to just this datasheet, include "site:labjack.com/support/datasheets/u6" in your search term. For more information see the main [Search Page](#).

## **Table of Contents Note**

### **Navigating using the Table of Contents**

An efficient way to navigate this online document is to use the Table of Contents button to the left.

## **Offline PDF Note**

### **Offline PDF**

If you are looking at a PDF, hardcopy, or other downloaded offline version of this document, realize that it is possibly out-of-date since the original is an online document. Also, this document is designed as online documentation, so the formatting of an offline version might be less than perfect.

To make a PDF of this entire document including all child pages, click "Save as PDF" towards the bottom-right of this page. Doing so converts these pages to a PDF on-the-fly, using the latest content, and can take 20-30 seconds. Make sure you have a current browser (we mostly test in Firefox and Chrome) and the current version of Acrobat Reader. If it is not working for you, rather than a normal click of "Save as PDF" do a right-click and select "Save link as" or similar. Then wait 20-30 seconds and a dialog box will pop up asking you where to save the PDF. Then you can open it in the real Acrobat Reader rather than embedded in a browser.

Rather than downloading, though, we encourage you to use this web-based documentation. Some advantages:

- We can quickly improve and update content.
- Click-able links to further or related details throughout the online document.
- The [site search](#) includes this document, the forum, and all other resources at labjack.com. When you are looking for something try using the site search.
- For support, try going to the applicable page and post a comment. When appropriate we can then immediately add/change content on that page to address the question.

Periodically we use the "Save as PDF" feature to export a PDF and attach it to this page (below).

### **File Attachment:**

 [LabJack U6 Datasheet Export 20200729](#)

## **Preface: Warranty, Liability, Compliance [U6 Datasheet]**

[Log in](#) or [register](#) to post comments

For the latest version of this and other documents, go to [www.labjack.com](http://www.labjack.com).

Copyright 2012, LabJack Corporation

### **Package Contents:**

The normal retail packaged U6 or U6-Pro consists of:

- U6 (-Pro) unit itself in red enclosure
- USB cable (6 ft / 1.8 m)
- Screwdriver

## **Warranty**

### **Warranty:**

All LabJack hardware is covered by a 5-year limited warranty, covering products and parts against defects in material or workmanship. We will troubleshoot, repair, or replace with like product to make sure you have a device that is operating to specifications.

LabJack products are very robust, but subject to the influence of user connections. The warranty does not apply if damaging mistakes were made in connecting our device, or if inspection reveals obvious signs of improper use, however we will still make a reasonable attempt to fix such devices for free if possible.

The warranty cannot be honored on discontinued products if replacements are unavailable and repair is not reasonably possible.

LabJack has taken great care of our customers since we sold our first device in 2001, and your satisfaction is our highest priority. If you suspect a problem with a device contact us at [support@labjack.com](mailto:support@labjack.com).

LabJack is not liable for any losses, expenses or damages beyond the LabJack device itself. See our [Limitation of Liability](#) for more details.

## **Limitation of Liability**

### **Limitation of Liability:**

LabJack designs and manufactures measurement and automation peripherals that enable the connection of a PC to the real world. Although LabJacks have various redundant protection mechanisms, it is possible, in the case of improper and/or unreasonable use, to damage the LabJack and even the PC to which it is connected. LabJack Corporation will not be liable for any such damage.

Except as specified herein, LabJack Corporation makes no warranties, express or implied, including but not limited to any implied warranty or merchantability or fitness for a particular purpose. LabJack Corporation shall not be liable for any special, indirect, incidental or consequential damages or losses, including loss of data, arising from any cause or theory.

LabJacks and associated products are not designed to be a critical component in life support or systems where malfunction can reasonably be expected to result in personal injury. Customers using these products in such applications do so at their own risk and agree to fully indemnify LabJack Corporation for any damages resulting from such applications.

LabJack assumes no liability for applications assistance or customer product design. Customers are responsible for their applications using LabJack products. To minimize the risks associated with customer applications, customers should provide adequate design and operating safeguards.

Reproduction of products or written or electronic information from LabJack Corporation is prohibited without permission. Reproduction of any of these with alteration is an unfair and deceptive business practice.

## U6 Compliance

### Conformity Information (FCC, CE, RoHS):

See the [Conformity Page](#) and the text below:

#### FCC PART 15 STATEMENTS:

This equipment has been tested and found to comply with the limits for a Class A digital device, pursuant to Part 15 of the FCC Rules. These limits are designed to provide reasonable protection against harmful interference when the equipment is operated in a commercial environment. This equipment generates, uses, and can radiate radio frequency energy and, if not installed and used in accordance with the instruction manual, may cause harmful interference to radio communications. Operation of this equipment in a residential area is likely to cause harmful interference in which case the user will be required to correct the interference at his own expense. The end user of this product should be aware that any changes or modifications made to this equipment without the approval of the manufacturer could result in the product not meeting the Class A limits, in which case the FCC could void the user's authority to operate the equipment.

#### Declaration of Conformity:

Manufacturers Name: LabJack Corporation  
Manufacturers Address: 3232 S Vance St STE 200, Lakewood, CO 80227, USA

Declares that the product

Product Name: LabJack U6 (-Pro)  
Model Number: LJU6 (-Pro)

conforms to the following Product Specifications:

EMC Directive: 2004/104/EEC

EN 55011 Class A  
EN 61326-1: General Requirements

and is marked with CE

#### RoHS:

The U6 (-Pro) is RoHS compliant per the requirements of Directive 2002/95/EC.

## 1 - Installation [U6 Datasheet]

[Log in](#) or [register](#) to post comments

### Windows Installation Overview

The UD driver requires a PC running Windows. For other operating systems, go to [labjack.com](#) for available support. Software will be installed to the LabJack directory which defaults to c:\Program Files\LabJack\.

**Install the software first:** Go to [labjack.com/support/u6](#).

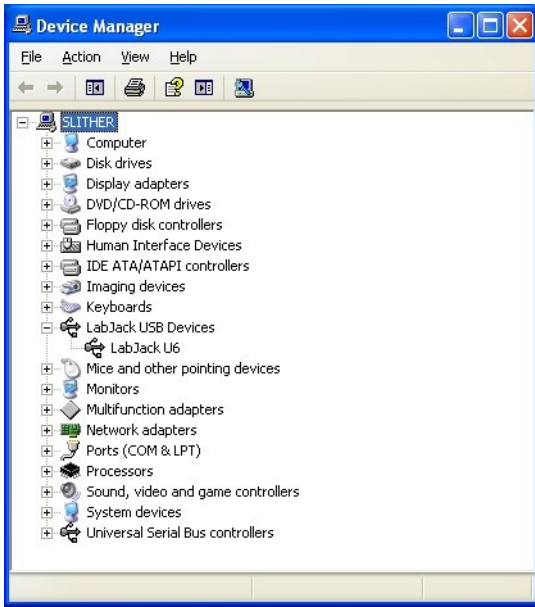
**Connect the USB cable:** The USB cable provides data and power. After the UD software installation is complete, connect the hardware and Windows should prompt with "*Found New Hardware*" and shortly after the Found New Hardware Wizard will open. When the Wizard appears allow Windows to install automatically by accepting all defaults.

**Run LJControlPanel:** From the Windows Start Menu, go to the LabJack group and run LJControlPanel. Click the "Find Devices" button, and an entry should appear for the connected U6 showing the serial number. Click on the "USB - 1" entry below the serial number to bring up the U6 configuration panel. Click on "Test" in the configuration panel to bring up the test panel where you can view and control the various I/O on the U6.

If LJControlPanel does not find the U6, check Windows Device Manager to see if the U6 installed correctly. One way to get to the Device Manager is:

Start => Control Panel => System => Hardware => Device Manager

The entry for the U6 should appear as in the following figure. If it has a yellow caution symbol or exclamation point symbol, right-click and select "Uninstall" or "Remove". Then disconnect and reconnect the U6 and repeat the Found New Hardware Wizard as described above.



Correctly Functioning U6 in Windows Device Manager

## Linux and Mac OS X

The Exodriver is the native USB driver for Linux and Mac OS X. With it you can use low-level functions to interact with your U6 over USB. The LJUD driver, LJControlPanel and LJSelfUpgrade applications are not available for Linux or Mac OS X.

Download the Exodriver at [labjack.com/support/software](http://labjack.com/support/software) or [labjack.com/support/linux-and-mac-os-x-drivers](http://labjack.com/support/linux-and-mac-os-x-drivers). For Mac OS X you can use the Mac Installer for installation, otherwise use the source code and install script.

### Mac OS X Installer

Unzip the contents of Exodriver\_NativeUSB\_Setup.zip and run Exodriver\_NativeUSB\_Setup.pkg. Then follow the installer's instructions to install the driver.

### Source Code

#### Mac OS X Requirements

- OS X 10.5 or newer
- Xcode developer tools
- libusb-1.0 library available at [libusb.info](http://libusb.info)

#### Linux Requirements

- Linux kernel 2.6.28 or newer.
- GNU C Compiler
- libusb-1.0 library and development files (header files)

#### Installation

To install the driver from source code, first unzip the contents of the Exodriver source code. Then run the following commands in a terminal (replace <Exodriver-Source-Directory> with the directory you unzipped the Exodriver source code to):

```
cd <Exodriver-Source-Directory>
sudo ./install.sh
```

Follow the install script's instructions to install the driver.

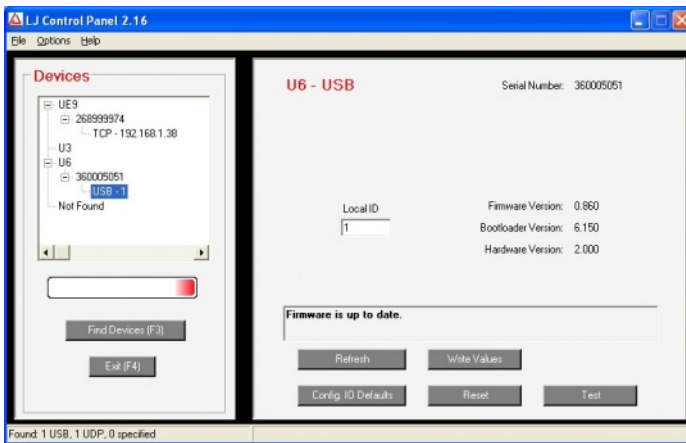
For more Exodriver installation information go to the Exodriver page at [labjack.com/support/linux-and-mac-os-x-drivers](http://labjack.com/support/linux-and-mac-os-x-drivers). The source code download's README, INSTALL.Linux and INSTALL.MacOSX also provides more information. If you run into problems, first take a look at the comments section of the Exodriver page as the issue may have been helped with previously.

After installation, to test your U6 connect it to your computer with a USB cable. The USB cable provides data and power. Build and run one of the examples from the source code download. Alternatively, install LabJackPython (at [labjack.com/support/labjackpython](http://labjack.com/support/labjackpython)) and run one of its examples.

## 1.1 - Control Panel Application (LJControlPanel) [U6 Datasheet]

[Log in](#) or [register](#) to post comments

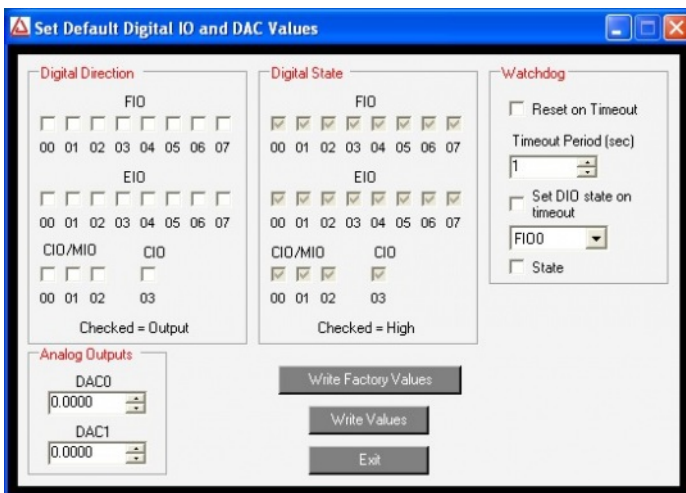
The LabJack Control Panel application (LJCP) handles configuration and testing of the U6. Click on the “Find Devices” button to search for connected devices.



**Figure 1.1-1.** LJControlPanel Device Window

Figure 1.1-1 shows the results from a typical search. The application found a U6 connected by USB. The USB connection has been selected in Figure 1-1, bringing up the main device window on the right side.

- Refresh: Reload the window using values read from the device.
- Write Values: Write the Local ID from the window to the device.
- Config. IO Defaults: Opens the window shown in Figure 1-2.
- Reset: Click to reset the selected device.
- Test: Opens the window shown in Figure 1-3. Starts with Factory Default settings.



**Figure 1.1-2.** LJControlPanel U6 Configure Defaults Window

Figure 1.1-2 shows the configuration window for U6 defaults. These are the values that will be loaded by the U6 at power-up or reset. The factory defaults are shown above.

Figure 1.1-3 shows the U6 test window. This window continuously (once per second) writes to and reads from the selected LabJack.

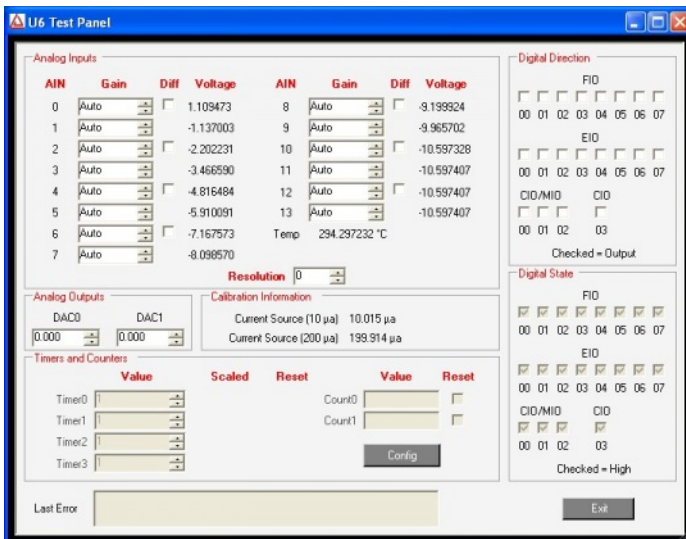


Figure 1.1-3. LJControlPanel U6 Test Window

Selecting Options=>Settings from the main LJControlPanel menu brings up the window shown in Figure 1.1-4. This window allows some features to of the LJControlPanel application to be customized.



Figure 1.1-4. LJControlPanel Settings Window

- Search for USB devices: If selected, LJControlPanel will include USB when searching for devices.
- Search for Ethernet devices using UDP broadcast packet: Does not apply to the U6.
- Search for Ethernet devices using specified IP addresses: Does not apply to the U6.

## 1.2 - Self-Upgrade Application (LJSelfUpgrade) [U6 Datasheet]

[Log in](#) or [register](#) to post comments

The processor in the U6 has field upgradeable flash memory. The self-upgrade application shown in Figure 1-5 programs the latest firmware onto the processor.

USB is the only interface on the U6, and first found is the only option for self-upgrading the U6, so no changes are needed in the “Connect by” box. There must only be one U6 connected to the PC when running LJSelfUpgrade.

Click on “Get Version Numbers” to find out the current firmware versions on the device. Then use the provided [Firmware Upgrade File](#) internet link to go to labjack.com, go to the U6 Firmware subsection, and check for more recent firmware. Download firmware files to the any location on your computer.

Click the Browse button and select the firmware file to program. Click the Program button to begin the self-upgrade process.

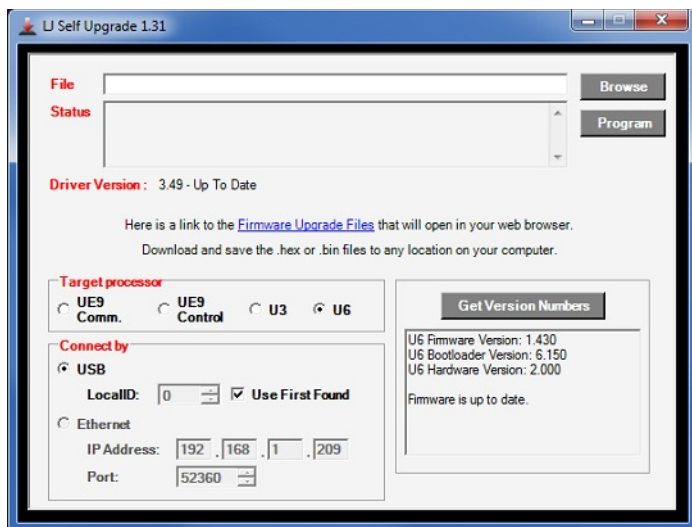


Figure 1.2-1. Self-Upgrade Application

If problems are encountered during programming, try the following:

1. Unplug the U6, wait 5 seconds then reconnect the U6. Click OK then press program again.
2. If step 1 does not fix the problem, unplug the U6 and watch the LED while plugging the U6 back in. Follow the following steps based on the LED's activity:
  - A. **If the LED is blinking continuously**, connect a jumper between FIO0 and SPC, then unplug the U6, wait 5 seconds and plug the U6 back in. Try programming again (disconnect the jumper before programming).
  - B. **If the LED blinks several times and stays on** connect a jumper between FIO1 and SPC, then unplug the U6, wait 5 seconds and plug the U6 back in. The LED should blink continuously indicating flash mode. Try programming again while the device is in flash mode (disconnect the jumper before programming).
  - C. **If the LED blinks several times and stays off** the U6 is not enumerating. Please restart your computer and try to program again.
  - D. **If there is no LED activity**, connect a jumper between FIO1 and SPC, then unplug the U6, wait 5 seconds and plug the U6 back in. If the LED is blinking continuously click OK and program again (after removing the jumper). If the LED does not blink connect a jumper between FIO0 and SPC, then unplug the U6, wait 5 seconds and plug the U6 back in.
3. If there is no activity from the U6's LED after following the above steps, please contact support.

## 1.3 - LJLogUD and LJStreamUD [U6 Datasheet]

[Log in](#) or [register](#) to post comments

Two sample applications are available that can handle the basic data collection needs of many customers. LJLogUD uses command/response mode ([Section 3.1](#)) while LJStreamUD uses stream mode ([Section 3.2](#)). Go to the pages for each application for more information and to download:

[LJLogUD Page](#)

[LJStreamUD Page](#)

## 2 - Hardware Description [U6 Datasheet]

[Log in](#) or [register](#) to post comments

### Hardware Description Overview

The U6 has 3 different I/O areas:

- **Communication Edge:** Has a USB type B connector.
- **Screw Terminal Edge:** Convenient connections for 4 analog inputs, both analog outputs, 4 flexible digital I/O (FIO), and both current sources. The screw terminals are arranged in blocks of 4, with each block consisting of Vs, GND, and two I/O. Also on this edge are two LEDs. One simply indicates power, while the other serves as a status indicator.
- **DB Edge:** Has 2 D-sub type connectors: a DB37 and DB15. The DB37 has some digital I/O and all the analog I/O. The DB15 has 12 additional digital I/O (3 are duplicates of DB37 I/O).

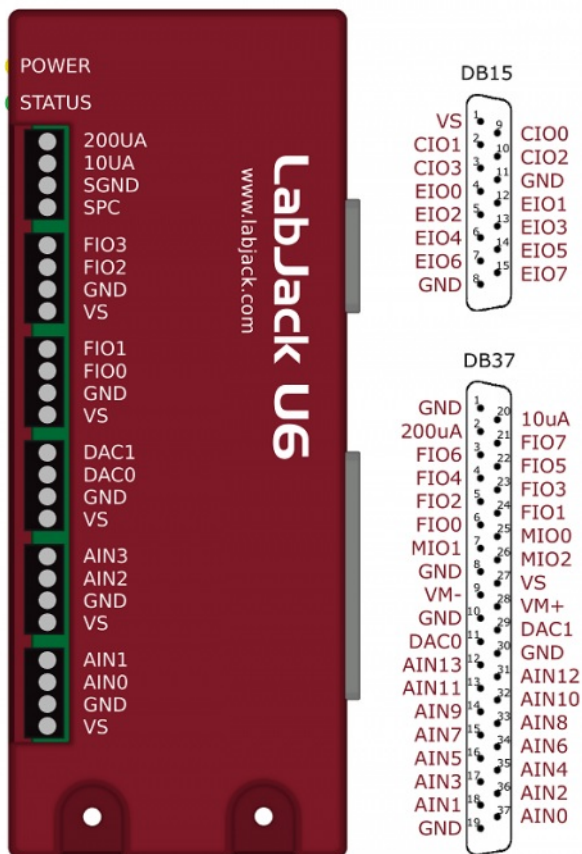


Figure 2-1. Enclosure & Connectors

**USB:** All power and communication is handled by the USB interface.

**LEDs:** The Power and Status LEDs convey different information about the device.

**GND/SGND:** All GND terminals are the same. SGND has a self-resetting thermal fuse in series with GND.

**VS:** All VS terminals are the same. These are outputs that can be used to source about 5 volts.

**10UA/200UA:** Fixed current sources providing 10 $\mu$ A/200 $\mu$ A at a max voltage of about 3 volts.

**AIN#:** AIN0-AIN13 are the 14 analog inputs.

**DAC#:** DAC0 & DAC1 are the 2 analog outputs. Each DAC can be set to a voltage between about 0.02 and 5 volts with 12-bits of resolution.

**FIO#/EIO#/CIO#/MIO#:** These are the 20 digital I/O, and are also referred to as DIO0-DIO19. Besides basic digital I/O operations, some of these terminals can also be configured as [Timers & Counters](#) (frequency input, PWM output, etc.), [SPI serial](#), [I2C serial](#), and [Asynchronous serial](#).

For information about reading inputs, start in [Section 3](#). For information about setting outputs, start with the [Waveform Generation Application Note](#).



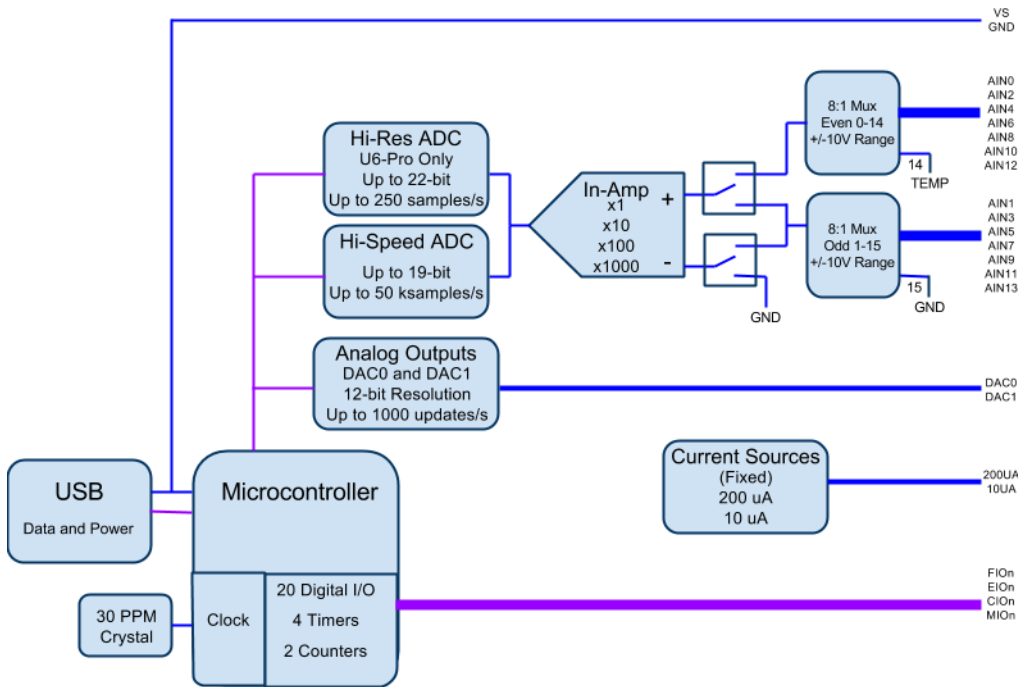


Figure 2-2. Block Diagram

## 2.1 - USB [U6 Datasheet]

[Log in](#) or [register](#) to post comments

For information about USB installation, see [Section 1](#).

The U6 has a full-speed USB connection compatible with USB version 1.1 or 2.0. This connection provides communication and power (Vusb). USB ground is connected to the U6 ground (GND), and USB ground is generally the same as the ground of the PC chassis and AC mains.

The details of the U6 USB interface are handled by the high level drivers (Windows LabJackUDDL), so the following information is really only needed when developing low-level drivers.

The LabJack vendor ID is 0x0CD5. The product ID for the U6 is 0x0006.

The USB interface consists of the normal bidirectional control endpoint (0 OUT & IN), 3 used bulk endpoints (1 OUT, 2 IN, 3 IN), and 1 dummy endpoint (3 OUT). Endpoint 1 consists of a 64 byte OUT endpoint (address = 0x01). Endpoint 2 consists of a 64 byte IN endpoint (address = 0x82). Endpoint 3 consists of a dummy OUT endpoint (address = 0x03) and a 64 byte IN endpoint (address = 0x83). Endpoint 3 OUT is not supported by the firmware, and should never be used.

All commands should always be sent on Endpoint 1, and the responses to commands will always be on Endpoint 2. Endpoint 3 is only used to send stream data from the U6 to the host.

## 2.2 - Power and Status LED [U6 Datasheet]

[Log in](#) or [register](#) to post comments

There is a yellow "Power" LED to indicate power, and a green "Status" LED controlled by the main processor.

The Power LED is connected to VS (with a series resistor). It indicates that some voltage is present on VS, but does not indicate whether the voltage is valid or not.

The Status LED flashes on reset and USB enumeration, then remains solid on with flashes to indicate communication (USB) traffic.

**Normal Power-Up Status LED Behavior:** When the USB cable is connected to the U6, the StatusLED should blink a few times and then remain solid on.

**LED blinking continuously at about 4 Hz, even with no software running** This indicates that the U6 is in flash mode. See Section 1.2 and reprogram the device.

## 2.3 - GND and SGND [U6 Datasheet]

[Log in](#) or [register](#) to post comments

The GND connections available at the screw-terminals and DB connectors provide a common ground for all LabJack functions. All GND terminals are the same and connect to the same ground plane. This ground is the same as the ground line on the USB connection, which is often the same as ground on the PC chassis and therefore AC mains ground.

SGND is located near the upper-left of the device. This terminal has a self-resetting thermal fuse in series with GND. This is often a good terminal to use when connecting the ground from another separately powered system that could unknowingly already share a common ground with the U6.

See the AIN, DAC, and Digital I/O Sections for more information about grounding.

## 2.4 - VS [U6 Datasheet]

[Log in](#) or [register](#) to post comments

The VS terminals are designed as outputs for the internal supply voltage (nominally 5 volts). This will be the voltage provided from the USB cable. The VS connections are outputs, not inputs. Do not connect a power source to VS in normal situations. All VS terminals are the same.

Related specifications can be found in [Appendix A](#).

For information about powering the U6 from a source other than USB, see the OEM information in [Section 2.13](#).

## 2.5 - 10UA and 200UA [U6 Datasheet]

[Log in](#) or [register](#) to post comments

The U6 has 2 fixed current source terminals useful for measuring resistance (thermistors, RTDs, resistors). The 10UA terminal provides about 10  $\mu$ A and the 200UA terminal provides about 200  $\mu$ A.

The actual value of each current source is noted during factory calibration and stored with the [calibration constants](#) on the device. These can be viewed using the test panel in LJControlPanel, or [read programmatically](#). Note that these are fixed constants stored during calibration, not some sort of current readings.

The current sources have good accuracy and tempco, but for improvement a fixed resistor can be used as one of the resistors in the figures below. The Y1453-100 and Y1453-1.0K from Digikey have excellent accuracy and very low tempco. By measuring the voltage across one of these you can calculate the actual current at any time.

The current sources can drive about 3 volts max, thus limiting the maximum load resistance to about 300 k $\Omega$  (10UA) and 15 k $\Omega$  (200UA).

Multiple resistances can be measured by putting them in series and measuring the voltage across each. Some applications might need to use differential inputs to measure the voltage across each resistor, but for many applications it works just as well to measure the single-ended voltage at the top of each resistor and subtract in software.

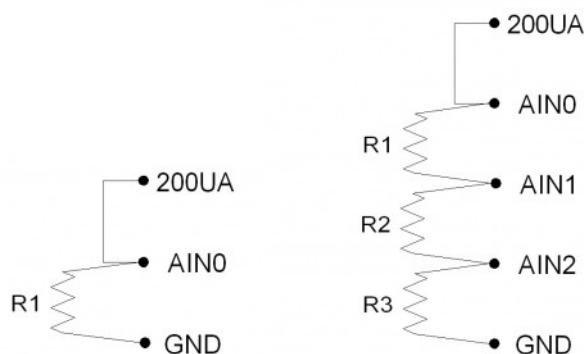


Figure 2.5-1

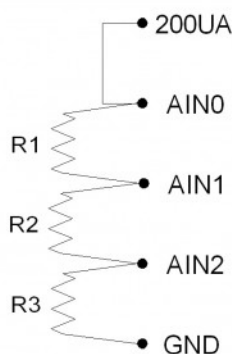


Figure 2.5-2

Figure 2.5-1 shows a simple setup measuring 1 resistor. If  $R1=3k$ , the voltage at AIN0 will be 0.6 volts.

Figure 2.5-2 shows a setup to measure 3 resistors using single-ended analog inputs. If  $R1=R2=R3=3k$ , the voltages at AIN0/AIN1/AIN2 will be 1.8/1.2/0.6 volts. That means AIN0 and AIN1 would be measured with the +/-10 volt range, while AIN2 could be measured with the +/-1 volt range. This points out a potential advantage to differential measurements, as the differential voltage across R1 and R2 could be measured with the +/-1 volt range, providing better resolution.

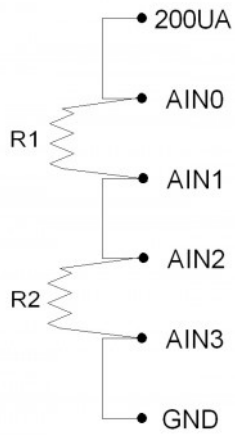


Figure 2.5-3

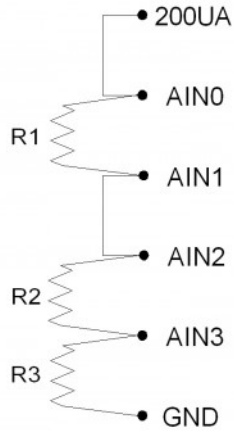


Figure 2.5-4

Figure 2.5-3 shows a setup to measure 2 resistors using differential analog inputs. AIN3 is wasted in this case, as it is connected to ground, so a differential measurement of AIN2-AIN3 is the same as a single-ended measurement of AIN2. That leads to Figure 2.5-4, which shows R1 and R2 measured differentially and R3 measured single-ended.

Figures 2.5-5 and 2.5-6 show the typical current source output variation over temperature. Both Current sources have very low temperature coefficients at or near 25C. Beyond 25C, the temperature coefficient variation may need to be accounted for, depending on application requirements.

**Current Source Temperature Coefficient Vs Temperature**

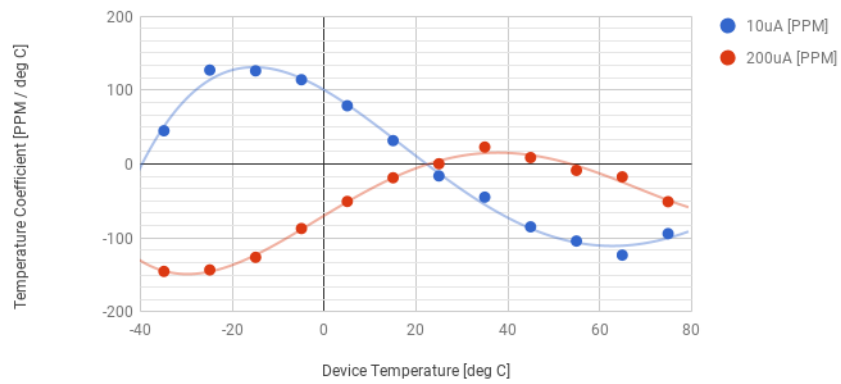


Figure 2.5-5. Typical temperature coefficient values over operating temperature range .

**Current Source Deviation Vs Temperature**

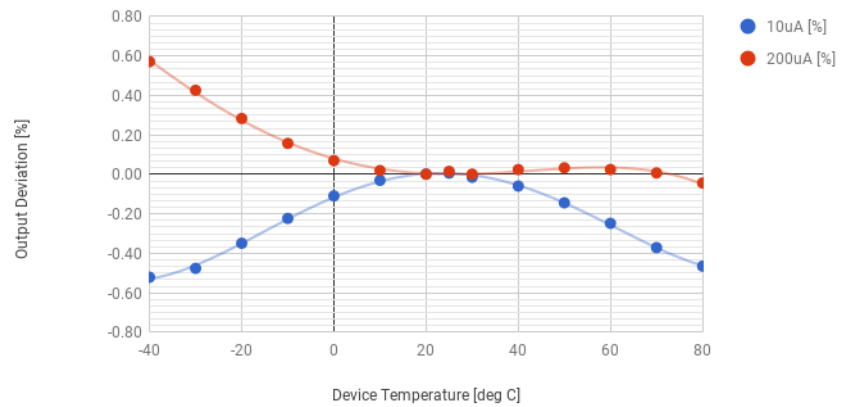


Figure 2.5-6. Typical current source deviation from 25C output over operating temperature range [1].

## 2.6 - AIN [U6 Datasheet]

[Log in](#) or [register](#) to post comments

### AIN Overview

The LabJack U6 has 14 user accessible analog inputs built-in. All the analog inputs are available on the DB37 connector, and the first 4 are also available on the built-in screw terminals.

The analog inputs have variable resolution, where the time required per sample increases with increasing resolution. The value passed for ResolutionIndex is from 0-8, where 0 corresponds to default resolution, 1 is roughly 16-bit resolution (RMS or effective), and 8 is roughly 19-bit resolution. The U6-Pro has additional ResolutionIndex settings 9-12 that use the alternate high-resolution converter (24-bit sigma-delta) and correspond to roughly 19-bit to 22-bit resolution.

The default value of 0 corresponds to 8 (U6 command-response), 9 (U6-Pro command-response), or 1 (stream mode). See [Appendix B](#) for more details about ResolutionIndex.

The analog inputs are connected to a high-impedance instrumentation amplifier. This in-amp buffers the signal for the internal ADCs, allows for single-ended or differential conversions, and provides gains of x1, x10, x100, and x1000 (corresponding to ranges of  $\pm 10V$ ,  $\pm 1V$ ,  $\pm 0.1V$ , and  $\pm 0.01V$ ).

Differential channels are adjacent even/odd pairs only, such as AIN2-AIN3. Thus the positive channel must be even and the negative channel must be +1. The Windows UD driver has different IOTypes for single-ended or differential reads, but the differential IOType can always be used as a negative channel (x1 parameter) of 0/15/199 equates to a single-ended reading.

The inputs are not artificially pulled to 0.0 volts, as that would reduce the input impedance, so readings obtained from floating channels will generally not be 0.0 volts. The readings from floating channels depend on adjacent channels and sample rate and have little meaning. See [Section 2.6.3.8](#).

Settling time is the time from a step change in the input signal to when the signal is sampled by the ADC. A step change in this case is caused when the internal multiplexers change from one channel to another. In general, more settling time is required as gain and resolution are increased. The default "auto" settling time ensures that the device meets specifications at any gain and resolution for source impedances up to at least 1000 ohms. In command/response mode, the effect of the SettlingFactor parameter is 0=Auto, 1=20us, 2=50us, 3=100us, 4=200us, 5=500us, 6=1ms, 7=2ms, 8=5ms, 9=10ms. Stream mode has its own settling parameter which is multiplied by 10 microseconds to determine settling time. The timings in [Section 3](#) are measured with "auto" settling.

### Duplicated Terminals (AIN0-AIN3)

AIN0-AIN3 appear on the built-in screw-terminals and also on the DB37 connector. You should only connect to one or the other, not both at the same time.

To prevent damage due to accidental short circuit, both connection paths have their own series resistor. All AIN lines have a 2.2k series resistor, and in the case of AIN0-AIN3 the duplicated connections each have their own series resistor, so if you measure the resistance between the duplicate terminals you will see about 4.4k.

## 2.6.1 - Channel Numbers [U6 Datasheet]

[Log in](#) or [register](#) to post comments

The LabJack U6 has 16 total built-in analog inputs. Two of these are connected internally (AIN14/AIN15), leaving 14 user accessible analog inputs (AIN0-AIN13). The first 4 analog inputs, AIN0-AIN3, appear both on the screw terminals and on the DB37 connector. There is about 4.4 k $\Omega$  of resistance between the duplicated connections, so connecting signals to both will not short-circuit the signals but they will contend with each other.

Table 2.6.1-1. Positive Channel Numbers

Positive Channel #	
0-13	Single-Ended
0,2,4,6,8,10,12	Differential
14	Temp Sensor (deg K)
15	GND
16-127	Extended Analog Inputs
193-241	DI, Timers, Counters

**Table 2.6.1-2.** Negative Channel Numbers

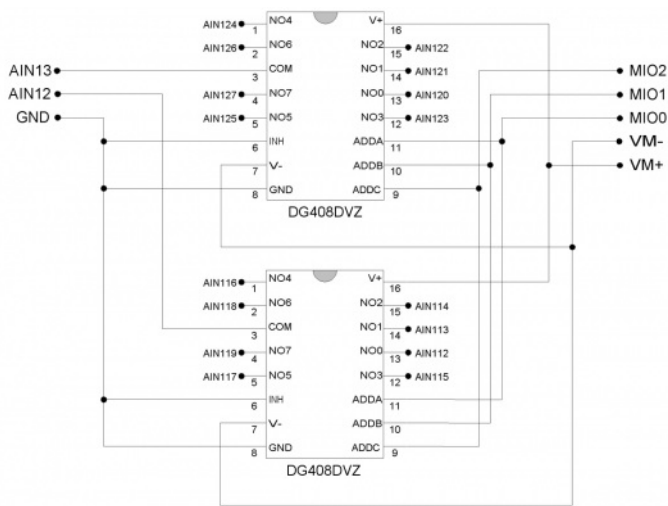
Negative Channel #	
1,3,5,7,9,11,13	Differential
24,25,26,...	Extended Differential
0,15,199	Single-Ended (GND)

Channel 14 is not stream-able. The readings from the internal temperature sensor(channel 14) need extended settling time and this takes too long for stream-mode.

Channels 193 to 241 are special analog input channel numbers that read digital inputs, timers or counters. See [Section 3.2.1](#) for more information.

The [Mux80](#) accessory uses multiplexer ICs to easily expand the total number of analog inputs available from 14 to 84, or you can connect multiplexer chips yourself.

The DB37 connector has 3 MIO lines (shared with CIO0-CIO2) designed to address expansion multiplexer ICs (integrated circuits), allowing for up to 112 total external analog inputs. The DG408 from Intersil is a recommended multiplexer, and a convenient ±12 volt power supply is available so the multiplexers can pass bipolar signals (see Vm+/Vm- discussion in [Section 2.11](#)). Figure 2-2 shows the typical connections for a pair of multiplexers.



**Figure 2-2.** Typical External Multiplexer Connections

To make use of external multiplexers, the user must be comfortable reading a simple schematic (such as Figure 2-2) and making basic connections on a solderless breadboard (such as the EB37). Initially, it is recommended to test the basic operation of the multiplexers without the MIO lines connected. Simply connect different voltages to NO0 and NO1, connect ADDA/ADDB/ADDC to GND, and the NO0 voltage should appear on COM. Then connect ADDA to VS and the NO1 voltage should appear on COM.

If any of the AIN channel numbers passed to a U6 function are in the range 16-127 (extended channels), the MIO lines will automatically be set to output and the correct state while sampling that channel. For instance, a channel number of 28 will cause the MIO to be set to b100 and the ADC will sample AIN1. Channel number besides 16-127 will have no affect on the MIO. The extended channel number mapping is shown in Table 2-2.

For differential extended channels, the positive channel must map to an even channel from 0-12, and the negative channel must map to the odd channel 1 higher (i.e. 1-13). That means that for extended channel numbers the negative channel must be 8 higher than the positive channel. For example, a valid differential extended channel pair would be Ch+ = AIN70 and Ch- = AIN78, since AIN70 maps to AIN6 and AIN78 maps to AIN7. For more information on differential extended channels, see the [Mux80 Datasheet](#).

In command/response mode, after sampling an extended channel the MIO lines remain in that same condition until commanded differently by another extended channel or another function. When streaming with any extended channels, the MIO lines are all set to output-low for any non extended analog channels. For special channels (digital/timers/counters), the MIO are driven to unspecified states. Note that the StopStream can occur during any sample within a scan, so the MIO lines will wind up configured for any of the extended channels in the scan. If a stream does not have any extended channels, the MIO lines are not affected.

**Table 2.6.1-3.** Expanded Channel Mapping

U6	MIO Multiplexed
Channel	Channels
0	16-23
1	24-31
2	32-39
3	40-47
4	48-55
5	56-63
6	64-71

7	72-79
8	80-87
9	88-95
10	96-103
11	104-111
12	112-119
13	120-127

## 2.6.2 - Converting Binary Readings to Voltages [U6 Datasheet]

[Log in](#) or [register](#) to post comments

This information is only needed when using low-level functions and other ways of getting binary readings. Readings in volts already have the calibration constants applied. The UD driver, for example, normally returns voltage readings unless binary readings are specifically requested.

Following are the nominal input voltage ranges for the analog inputs.

**Table 2.6.2-1.** Nominal Analog Input Voltage Ranges

	Gain	Max V	Min V
Bipolar	1	10.1	-10.6
Bipolar	10	1.01	-1.06
Bipolar	100	0.101	-0.106
Bipolar	1000	0.0101	-0.0106

The readings returned by the analog inputs are raw binary values (low-level functions). An approximate voltage conversion can be performed as:

$$\text{Volts(uncalibrated)} = (\text{Bits}/65536) * \text{Span}$$

Where span is the maximum voltage minus the minimum voltage from the table above. For a proper voltage conversion, though, use the calibration values (Slope and Offset) stored in the internal flash on the Control processor.

$$\text{Volts} = (\text{Slope} * \text{Bits}) + \text{Offset}$$

In both cases, "Bits" is always aligned to 16-bits, so if the raw binary value is 24-bit data it must be divided by 256 before converting to voltage. Binary readings are always unsigned integers.

Since the U6 uses multiplexers, all channels have the same calibration for a given input range.

See [Section 5.4](#) for details about the location of the U6 calibration constants.

## 2.6.3 - Typical Analog Input Connections [U6 Datasheet]

[Log in](#) or [register](#) to post comments

### Typical Analog Input Connections Overview

A common question is "can this sensor/signal be measured with the U6". Unless the signal has a voltage (referred to U6 ground) beyond the limits in [Appendix A](#), it can be connected without damaging the U6, but more thought is required to determine what is necessary to make useful measurements with the U6 or any measurement device.

**Voltage (versus ground):** The single-ended analog inputs on the U6 measure a voltage with respect to U6 ground. The differential inputs measure the voltage difference between two channels, but the voltage on each channel with respect to ground must still be within the common mode limits specified in [Appendix A](#). When measuring parameters other than voltage, or voltages too big or too small for the U6, some sort of sensor or transducer is required to produce the proper voltage signal. Examples are a temperature sensor, amplifier, resistive voltage divider, or perhaps a combination of such things.

**Impedance:** When connecting the U6, or any measuring device, to a signal source, it must be considered what impact the measuring device will have on the signal. The main consideration is whether the currents going into or out of the U6 analog input will cause noticeable voltage errors due to the impedance of the source. See [Appendix A](#) for the recommended maximum source impedance.

**Resolution (and Accuracy):** Based on the selected input range and resolution of the U6, the resolution can be determined in terms of voltage or engineering units. For example, assume some temperature sensor provides a 0-10 mV signal, corresponding to 0-100 degrees C. Samples are then acquired with the U6 using the  $\pm 10$  volt input range and 16-bit resolution, resulting in a voltage resolution of about  $20/65536 = 305 \mu\text{V}$ . That means there will be about 33 discrete steps across the 10 mV span of the signal, and the overall resolution is about 3 degrees C. Accuracy (which is different than resolution) will also need to be considered. [Appendix A](#) places some boundaries on expected accuracy, but an in-system calibration can generally be done to provide absolute accuracy down to the INL limits of the U6.

**Speed:** How fast does the signal need to be sampled? For instance, if the signal is a waveform, what information is needed: peak, average, RMS, shape, frequency, ... ? Answers to these questions will help decide how many points are needed per waveform cycle, and thus what sampling rate is required. In the case of multiple channels, the scan rate is also considered. See [Sections 3.1](#) and [3.2](#).

### 2.6.3.1 - Signal from the LabJack [U6 Datasheet]

[Log in](#) or [register](#) to post comments

One example of measuring a signal from the U6 itself, is with an analog output. All I/O on the U6 share a common ground, so the voltage on an analog output

(DAC) can be measured by simply connecting a single wire from that terminal to anAIN terminal. The analog output must be set to a voltage within the range of the analog input.

### 2.6.3.2 - Unpowered Isolated Signal [U6 Datasheet]

[Log in](#) or [register](#) to post comments

An example of an unpowered isolated signal would be a thermocouple or photocell where the sensor leads are not shorted to any external voltages. Such a sensor typically has two leads. The positive lead connects to an AINx terminal and the negative lead connects to aGND terminal.

An exception might be a thermocouple housed in a metal probe where the negative lead of the thermocouple is shorted to the metal probe housing. If this probe is put in contact with something (engine block, pipe, ...) that is connected to ground or some other external voltage, care needs to be taken to insure valid measurements and prevent damage.

### 2.6.3.3 - Signal Powered By the LabJack [U6 Datasheet]

[Log in](#) or [register](#) to post comments

A typical example of this type of signal is a 3-wire temperature sensor. The sensor has a power and ground wire that connect to Vs and GND on the LabJack, and then has a signal wire that simply connects to an AINx terminal.

Another variation is a 4-wire sensor where there are two signal wires (positive and negative) rather than one. If the negative signal is the same as power ground, or can be shorted ground, then the positive signal can be connected to AINx and a single-ended measurement can be made. A typical example where this does not work is a bridge type sensor providing the raw bridge output (strain gage bridge / pressure sensor / load cell ... with no built-in amplifier) with non-isolated excitation voltage. In this case the signal voltage is the difference between the positive and negative signal, and the negative signal cannot be shorted to ground. An instrumentation amplifier is required to convert the differential signal to signal-ended, and probably also to amplify the signal. The U6 has an internal instrumentation amplifier, and thus can take the differential signal (AIN0-AIN1 for example) and also provide amplification.

### 2.6.3.4 - Signal Powered Externally [U6 Datasheet]

[Log in](#) or [register](#) to post comments

An example is a box with a wire coming out that is defined as a 0-5 volt analog signal and a second wire labeled as ground. The signal is known to have 0-5 volts compared to the ground wire, but the complication is what is the voltage of the box ground compared to the LabJack ground.

If the box is known to be electrically isolated from the LabJack, the box ground can simply be connected to LabJackGND. An example would be if the box was plastic, powered by an internal battery, and does not have any wires besides the signal and ground which are connected to AINx and GND on the LabJack. Such a case is obviously isolated and easy to keep isolated. In practical applications, though, signals thought to be isolated are often not at all, or perhaps are isolated at some time but the isolation is easily lost at another time.

If the box ground is known to be the same as the LabJackGND, then perhaps only the one signal wire needs to be connected to the LabJack, but it generally does not hurt to go ahead and connect the ground wire to LabJack GND with a 100  $\Omega$  resistor. You definitely do not want to connect the grounds without a resistor.

If little is known about the box ground, aDMM can be used to measure the voltage of box ground compared to LabJackGND. As long as an extreme voltage is not measured, it is generally OK to connect the box ground to LabJack GND, but it is a good idea to put in a 100  $\Omega$  series resistor to prevent large currents from flowing on the ground. Use a small wattage resistor (typically 1/8 or 1/4 watt) so that it blows if too much current does flow. The only current that should flow on the ground is the return of the analog input bias current, which is on the order of nanoamps for the U6.

The SGND terminal can be used instead of GND for externally powered signals. A series resistor is not needed as SGND is fused to prevent overcurrent, but a resistor will eliminate confusion that can be caused if the fuse is tripping and resetting.

In general, if there is uncertainty, a good approach is to use aDMM to measure the voltage on each signal/ground wire without any connections to the U6. If no large voltages are noted, connect the ground to U6 SGND with a 100  $\Omega$  series resistor. Then again use the DMM to measure the voltage of each signal wire before connecting to the U6.

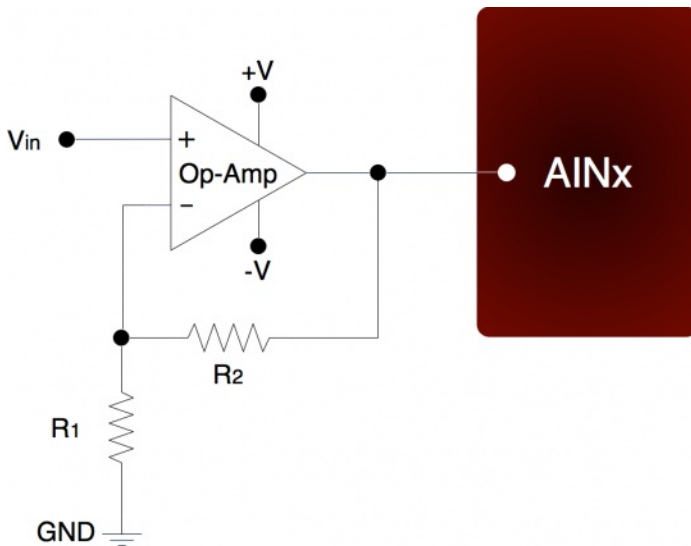
Another good general rule is to use the minimum number of ground connections. For instance, if connecting 8 sensors powered by the same external supply, or otherwise referred to the same external ground, only a single ground connection is needed to the U6. Perhaps the ground leads from the 8 sensors would be twisted together, and then a single wire would be connected to a 100  $\Omega$  resistor which is connected to U6 ground.

### 2.6.3.5 - Amplifying Small Signal Voltages [U6 Datasheet]

[Log in](#) or [register](#) to post comments

This section has general information about external signal amplification. The U6 has an outstanding amplifier built-in. Combined with the high resolution capability of the U6, an external amplifier is seldom needed, and in many cases will actually degrade noise and accuracy performance.

For a do-it-yourself solution, the following figure shows an operational amplifier (op-amp) configured as non-inverting:



**Figure 2.6.3.5-1.** Non-Inverting Op-Amp Configuration

The gain of this configuration is:

$$V_{out} = V_{in} * (1 + (R2/R1))$$

100 k $\Omega$  is a typical value for R2. Note that if R2=0 (short-circuit) and R1=inf (not installed), a simple buffer with a gain equal to 1 is the result.

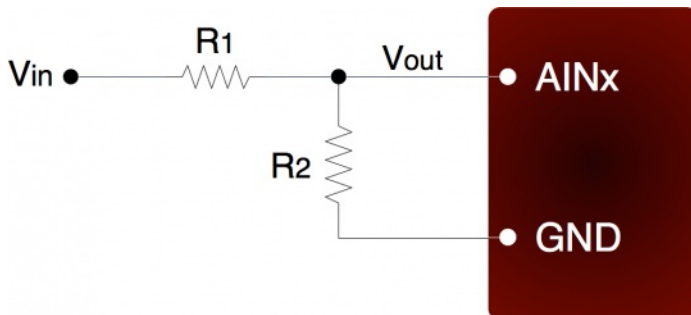
There are numerous criteria used to choose an op-amp from the thousands that are available. One of the main criteria is that the op-amp can handle the input and output signal range. Often, a single-supply rail-to-rail input and output (RIRO) is used as it can be powered from Vs and GND and pass signals within the range 0-Vs. The OPA344 from Texas Instruments (ti.com) is good for many 5 volt applications. The max supply rating for the OPA344 is 5.5 volts, so for applications using Vm+/Vm- ( $\pm 12$  volts), the LT1490A from Linear Technologies (linear.com) might be a good option.

The op-amp is used to amplify (and buffer) a signal that is referred to the same ground as the LabJack (single-ended). If instead the signal is differential (i.e. there is a positive and negative signal both of which are different than ground), an instrumentation amplifier (in-amp) should be used. An in-amp converts a differential signal to single-ended, and generally has a simple method to set gain.

## 2.6.3.6 - Signal Voltages Beyond $\pm 10$ Volts (and Resistance Measurement) [U6 Datasheet]

[Log in](#) or [register](#) to post comments

The nominal maximum analog input voltage range for the U6 is  $\pm 10$  volts. The basic way to handle higher voltages is with a resistive voltage divider. The following figure shows the resistive voltage divider assuming that the source voltage ( $V_{in}$ ) is referred to the same ground as the U6 (GND).



**Figure 2.6.3.6-1.** Voltage Divider Circuit

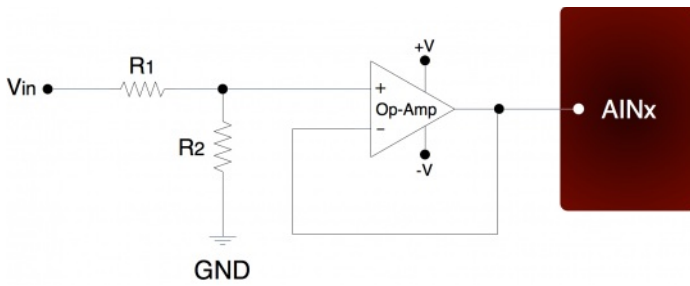
The attenuation of this circuit is determined by the equation:

$$V_{out} = V_{in} * (R2 / (R1+R2))$$

This divider is easily implemented by putting a resistor (R1) in series with the signal wire, and placing a second resistor (R2) from the AIN terminal to a GND terminal. To maintain specified analog input performance across all gains and resolutions, R1 should not exceed 1 k $\Omega$  (some gain/resolution combinations work fine with much higher resistance). Typically, R1 is fixed at 1 k $\Omega$  and R2 can be adjusted for the desired attenuation. For example, R1 = R2 = 1 k $\Omega$  provides a divide by 2, so a  $\pm 20$  volt input will be scaled to  $\pm 10$  volts and a 0-20 volt input will be scaled to 0-10 volts.

The divide by 2 configuration where R1 = R2 = 1 k $\Omega$ , presents a 2 k $\Omega$  load to the source, meaning that a  $\pm 10$  volt signal will have to be able to source/sink up to  $\pm 5$  mA. Some signal sources might require a load with higher resistance, in which case a buffer should be used. The following figure shows a resistive voltage divider followed by an op-amp configured as non-inverting unity-gain (i.e. a buffer).





**Figure 2.6.3.6-2.** Buffered Voltage Divider Circuit

The op-amp is chosen to have low input bias currents so that large resistors can be used in the voltage divider. The LT1490A from Linear Technologies (linear.com) is a good choice for dual-supply applications. The LT1490A only draws 40  $\mu\text{A}$  of supply current, thus many of these amps can be powered from the  $V_m+V_m-$  supply on the U6, and can pass signals in the  $\pm 10$  volt range. Since the input bias current is only -1 nA, large divider resistors such as  $R1 = R2 = 470 \text{ k}\Omega$  will only cause an offset of about -470  $\mu\text{V}$ , and yet present a load to the source of about 1 megaohm.

For 0-5 volt applications, where the amp will be powered from  $V_s$  and GND, the LT1490A is not the best choice. When the amplifier input voltage is within 800 mV of the positive supply, the bias current jumps from -1 nA to +25 nA, which with  $R1 = 470 \text{ k}\Omega$  will cause the offset to change from -470  $\mu\text{V}$  to +12 mV. A better choice in this case would be the OPA344 from Texas Instruments (ti.com). The OPA344 has a very small bias current that changes little across the entire voltage range. Note that when powering the amp from  $V_s$  and GND, the input and output to the op-amp is limited to that range, so if  $V_s$  is 4.8 volts your signal range will be 0-4.8 volts.

Another option is the [LJTick-Divider](#) which plugs into the U6 screw-terminals. It is similar to the buffered divider shown in Figure 2.6.3.6-2.

The information above also applies to resistance measurement. A common way to measure resistance is to build a voltage divider as shown in Figure 2.6.3.6-1, where one of the resistors is known and the other is the unknown. If  $V_{in}$  is known and  $V_{out}$  is measured, the voltage divider equation can be rearranged to solve for the unknown resistance.

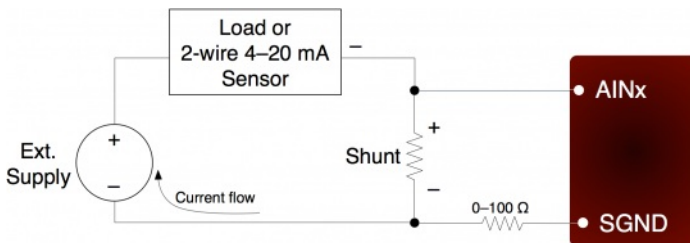
A great way to measure resistance is using the current sources on the U6. By sending this known current through the resistance and measuring the voltage that results across, the value of the resistance can be calculated. Common resistive sensors are thermistors and RTDs.

## 2.6.3.7 - Measuring Current (Including 4-20 mA) with a Resistive Shunt [U6 Datasheet]

[Log in](#) or [register](#) to post comments

The best way to handle 4-20 mA signals is with the [LJTick-CurrentShunt](#), which is a two channel active current to voltage converter module that plugs into the U6's screw-terminals.

The following figure shows a typical method to measure the current through a load, or to measure the 4-20 mA signal produced by a 2-wire (loop-powered) current loop sensor. The current shunt shown in the figure is simply a resistor.

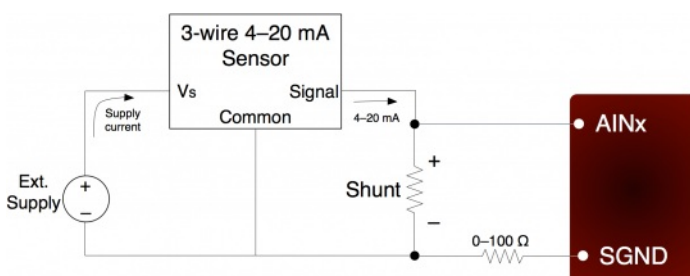


**Figure 2.6.3.7-1.** Current Measurement With Arbitrary Load or 2-Wire 4-20 mA Sensor

When measuring a 4-20 mA signal, a typical value for the shunt would be 240  $\Omega$ . This results in a 0.96 to 4.80 volt signal corresponding to 4-20 mA. The external supply must provide enough voltage for the sensor and the shunt, so if the sensor requires 5 volts the supply must provide at least 9.8 volts.

For applications besides 4-20 mA, the shunt is chosen based on the maximum current and how much voltage drop can be tolerated across the shunt. For instance, if the maximum current is 1.0 amp, and 2.5 volts of drop is the most that can be tolerated without affecting the load, a 2.4  $\Omega$  resistor could be used. That equates to 2.4 watts, though, which would require a special high wattage resistor. A better solution would be to use a lower resistance shunt, and rely on the outstanding performance of the U6 to resolve the smaller signal. If the maximum current to measure is too high (e.g. 100 amps), it will be difficult to find a small enough resistor and a hall-effect sensor should be considered instead of a shunt.

The following figure shows typical connections for a 3-wire 4-20 mA sensor. A typical value for the shunt would be 240  $\Omega$  which results in 0.96 to 4.80 volts.



### Figure 2.6.3.7-2. Current Measurement With 3-Wire 4-20 mA (Sourcing) Sensor

The sensor shown in Figure 2.6.3.7-2 is a sourcing type, where the signal sources the 4-20 mA current which is then sent through the shunt resistor and sunk into ground. Another type of 3-wire sensor is the sinking type, where the 4-20 mA current is sourced from the positive supply, sent through the shunt resistor, and then sunk into the signal wire. If sensor ground is connected to U6 ground, the sinking type of sensor presents a couple of problems, as the voltage across the shunt resistor is differential (neither side is at ground) and at least one side of the resistor has a high common mode voltage (equal to the positive sensor supply). If the sensor and/or U6 are isolated, a possible solution is to connect the sensor signal or positive sensor supply to U6 ground (instead of sensor ground). This requires a good understanding of grounding and isolation in the system. The LJTick-CurrentShunt is often a simple solution.

Both figures show a 0-100  $\Omega$  resistor in series with SGND, which is discussed in general in Section 2.6.3.4. In this case, if SGND is used (rather than GND), a direct connection (0  $\Omega$ ) should be good.

The best way to handle 4-20 mA signals is with the [LJTick-CurrentShunt](#), which is a two channel active current to voltage converter module that plugs into the U6 screw-terminals.

## 2.6.3.8 - Floating/Unconnected Inputs [U6 Datasheet]

[Log in](#) or [register](#) to post comments

The reading from a floating (no external connection) analog input channel can be tough to predict and is likely to vary with sample timing and adjacent sampled channels. Keep in mind that a floating channel is not at 0 volts, but rather is at an undefined voltage. In order to see 0 volts, a 0 volt signal (such as GND) should be connected to the input.

Some data acquisition devices use a resistor, from the input to ground, to bias an unconnected input to read 0. This is often just for "cosmetic" reasons so that the input reads close to 0 with floating inputs, and a reason not to do that is that this resistor can degrade the input impedance of the analog input.

In a situation where it is desired that a floating channel read a particular voltage, say to detect a broken wire, a resistor can be placed from the AINx screw terminal to the desired voltage (GND, VS, DACx, ...), but obviously that degrades the input impedance. The resistor value used depends on how close to the desired voltage you need to be, minimum allowable input impedance, sample rate, settling time, resolution, and adjacent channels.

## 2.6.4 - Internal Temperature Sensor [U6 Datasheet]

[Log in](#) or [register](#) to post comments

The U6 has an internal temperature sensor. The sensor is physically located near the AIN3 screw-terminal. It is labeled U17 on the PCB, and can be seen through the gap between the AIN3 terminal and adjacent VS terminal.

The U6 enclosure typically makes a 1  $^{\circ}\text{C}$  difference in the temperature at the internal sensor. With the enclosure on the temperature at the sensor is typically 3  $^{\circ}\text{C}$  higher than ambient, while with the enclosure off the temperature at the sensor is typically 2  $^{\circ}\text{C}$  higher than ambient. The calibration constants have an offset of -3  $^{\circ}\text{C}$ , so returned calibrated readings are nominally the same as ambient with the enclosure installed, and 1  $^{\circ}\text{C}$  below ambient with the PCB in free air.

The sensor has a specified accuracy of  $\pm 2.1$   $^{\circ}\text{C}$  across the entire device operating range of -40 to +85  $^{\circ}\text{C}$ . Allowing for a slight difference between the sensor temperature and the temperature of the screw-terminals, expect the returned value minus 3  $^{\circ}\text{C}$  to reflect the temperature of the built-in screw-terminals with an accuracy of  $\pm 2.5$   $^{\circ}\text{C}$ .

With the UD driver, the internal temperature sensor is read by acquiring analog input channel 14 and returns  $^{\circ}\text{K}$ .

The internal temperature sensor does not work in stream mode. It takes too long to settle, thus if you stream it you will typically get totally wrong readings.

### Note on thermocouples

If [thermocouples](#) are connected to the CB37, you want to know the temperature of the screw-terminals on the CB37. The CB37 is typically at the same temperature as ambient air, so use the direct value from a read of AIN14. Better yet, add a [sensor such as the LM34CAZ](#) to an unused analog input on the CB37 to measure the actual temperature of the CB37.

The built-in screw-terminals AIN0-AIN3 on the U6 are typically 3  $^{\circ}\text{C}$  above ambient with the enclosure installed, so when the internal temperature sensor is used for CJC for thermocouples connected to the built-in screw-terminals, it is recommended to add 3  $^{\circ}\text{C}$  to its value as you want the actual temperature of the screw-terminals, not necessarily ambient temperature.

## 2.6.5 - Signal Range [U6 Datasheet]

[Log in](#) or [register](#) to post comments

Following are figures showing the approximate signal range of the U6 analog inputs. "Input Common-Mode Voltage" or  $V_{cm}$  is  $(V_{pos} + V_{neg})/2$ .

Keep in mind that the voltage of any input compared to GND should be within the  $V_{m+}$  and  $V_{m-}$  rails by at least 1.5 volts, so if  $V_m$  is the typical  $\pm 13$  volts, the signals should be within  $\pm 11.5$  volts compared to GND.

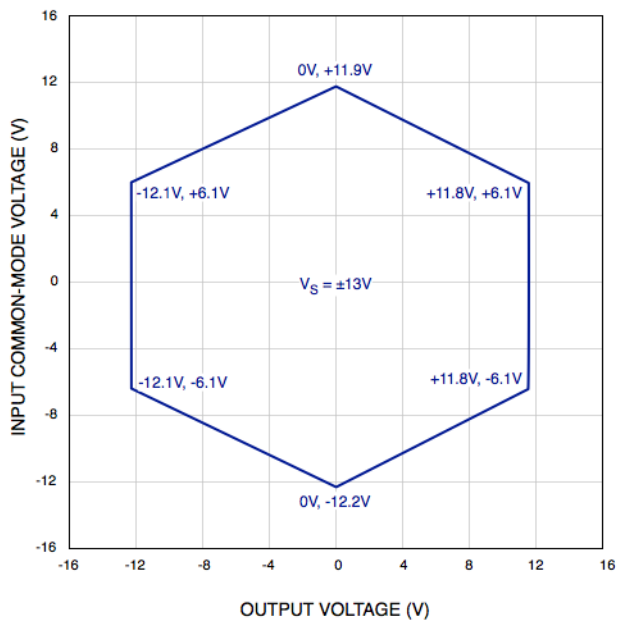
Example #1: Say a differential signal is measured where  $V_{pos}$  is 10.05 volts compared to GND and  $V_{neg}$  is 9.95 volts compared to ground, and  $G=100$ . That means  $V_{cm}=10.0$  volts,  $V_{diff}=0.1$  volts, and the expected  $V_{out}=10.0$  volts. Figures for  $G=10$  and  $G=1000$  are not available, but  $V_{cm}=10.0$  volts and  $V_{out}=10.0$  volts is not valid at  $G=1$  or  $G=1000$ , so is certainly not valid for gains in between.

Example #2: Say a differential signal is measured where  $V_{pos}$  is 15.0 volts compared to GND and  $V_{neg}$  is 14.0 volts compared to ground, and  $G=1$ . That means  $V_{cm}=14.5$  volts,  $V_{diff}=1.0$  volts, and the expected  $V_{out}=1.0$  volts. The voltage of each input compared to GND is too high, so this would not work at all.

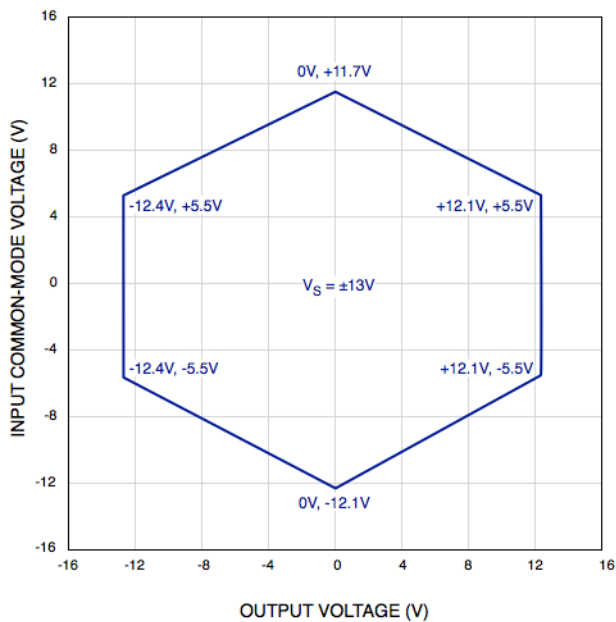
Example #3: Say a single-ended signal is measured where  $V_{pos}$  is 10.0 volts compared to GND and  $G=1$ . That means  $V_{cm}=5.0$  volts,  $V_{diff}=10.0$  volts, and

the expected  $V_{out}=10.0$  volts. This is fine according to the figure below.

*Input Common-Mode Voltage Range vs. Output Voltage,  $G = 1$*



*Input Common-Mode Voltage Range vs. Output Voltage,  $G = 1000$*



## 2.7 - DAC [U6 Datasheet]

[Log in](#) or [register](#) to post comments

### DAC Overview

There are two DACs (digital-to-analog converters or analog outputs) on the U6. Each DAC can be set to a voltage between about 0.02 and 5 volts with 12-bits of resolution.

Although the DAC values are based on an absolute reference voltage, and not the supply voltage, the DAC output buffers are powered internally by  $V_S$  and thus the maximum output is limited to slightly less than  $V_S$ .

The analog output commands are sent as raw binary values (low level functions). For a desired output voltage, the binary value can be approximated as:

$$\text{Bits(uncalibrated)} = (\text{Volts}/4.86) * 65536$$

For a proper calculation, though, use the calibration values (Slope and Offset) stored in the internal flash on the Control processor ([Section 5.4](#)):

$$\text{Bits} = (\text{Slope} * \text{Volts}) + \text{Offset}$$

The DACs appear both on the screw terminals and on the DB37 connector. These connections are electrically the same, and the user must exercise caution only to use one connection or the other, and not create a short circuit.

The power-up condition of the DACs can be configured by the user. From the factory, the DACs default to enabled at minimum voltage (~0 volts). Note that even if the power-up default for a line is changed to a different voltage or disabled, there is a delay of about 100 ms at power-up where the DACs are in the factory default condition.

The analog outputs can withstand a continuous short-circuit to ground, even when set at maximum output.

Voltage should never be applied to the analog outputs, as they are voltage sources themselves. In the event that a voltage is accidentally applied to either analog output, they do have protection against transient events such as ESD (electrostatic discharge) and continuous overvoltage (or undervoltage) of a few volts.

There is an accessory available from LabJack called the [LJTick-DAC](#) that provides a pair of 14-bit analog outputs with a range of  $\pm 10$  volts. The LJTick-DAC plugs into any digital I/O block, and thus up to 10 of these can be used per U6 to add 20 analog outputs. The LJTick-DAC has various differences compared to the built-in DACs on the U6:

- Range of +10.0 to -10.0 volts. (~0-5 volts for the U6 DACs)
- Range includes 0.0 volts. (Typical minimum of 0.04 volts for the U6 DACs)
- Resolution of 14-bits. (Spread across 20V span, so voltage resolution is the same)

## 2.7.1 - Typical Analog Output Connections [U6 Datasheet]

[Log in](#) or [register](#) to post comments

### 2.7.1.1 - High Current Output [U6 Datasheet]

[Log in](#) or [register](#) to post comments

The DACs on the U6 can output quite a bit of current, but have 50  $\Omega$  of source impedance that will cause voltage drop. To avoid this voltage drop, an op-amp can be used to buffer the output, such as the non-inverting configuration shown in [Figure 2.6-1](#). A simple RC filter can be added between the DAC output and the amp input for further noise reduction. Note that the ability of the amp to source/sink current near the power rails must still be considered. A possible op-amp choice would be the TLV246x family (ti.com).

### 2.7.1.2 - Different Output Ranges [U6 Datasheet]

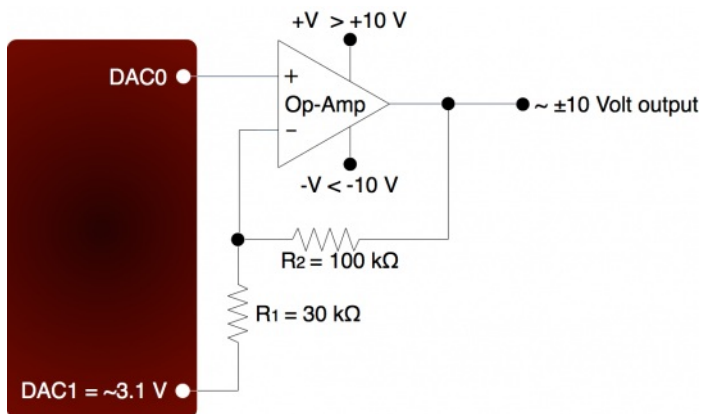
[Log in](#) or [register](#) to post comments

Consider using an [LJTick-DAC](#) rather than the built-in DACs. The LJTDAC provides +/-10 volt outputs with 14-bit resolution across that span.

The typical output range of the DACs is about 0.04 to 4.95 volts (assuming  $V_s=5.0V$ ). For other **unipolar output ranges**, an op-amp in the non-inverting configuration ([Figure 2.6-1 in Section 2.6.3.5](#)) can be used to provide the desired gain. Connect  $V_{in}$  in [Figure 2-3](#) to the DACx terminal, connect -V to GND, connect +V to a voltage source greater than the max desired output, and set R1 & R2 to control the gain. Example: Unipolar 0-10 volt output. Use R1=93.1k $\Omega$  and R2=100k $\Omega$  to provide a gain of about x1.07, and use  $V_{m+}$  to provide up to 2.5mA of 12V power to the LT1490A op-amp. This will provide a nominal output range of 0.08 to 10.3 volts.

For **bipolar output ranges**, such as  $\pm 10$  volts, a similar op-amp circuit can be used to provide gain and offset, and of course the op-amp must be powered with supplies greater than the desired output range (depending on the ability of the op-amp to drive its outputs close to the power rails). For example, the  $V_{m+}/V_{m-}$  supplies available from the U6 are typically  $\pm 13$  volts. If these supplies are used to power the LT1490A op-amp (linear.com), which has rail-to-rail capabilities, the outputs could be driven very close to  $\pm 13$  volts.

For bipolar ranges a reference voltage is also required to provide the offset/level-shifting. In the following circuit, DAC1 is used to provide a reference voltage. The actual value of DAC1 can be adjusted such that the circuit output is 0 volts at the DAC0 mid-scale voltage, and the value of R1 can be adjusted to get the desired gain. A fixed reference (such as 2.5 volts) could also be used instead of DAC1.



**Figure 2.7.1.2-1.** ±10 Volt DAC Output Circuit

A two-point calibration should be done to determine the exact input/output relationship of this circuit. Refer to application note SLOA097 from ti.com for further information about gain and offset design with op-amps.

## 2.8 - Digital I/O [U6 Datasheet]

[Log in](#) or [register](#) to post comments

### Digital I/O Overview

The LabJack U6 has 20 digital I/O. The LabJackUD driver uses the following bit numbers to specify all the digital lines:

0-7 FIO0-FIO7  
 8-15 EIO0-EIO7  
 16-19 CIO0-CIO3  
 20-22 MIO0-MIO2 (Use 16-18 to operate on these)

**Note:** On the U6/U6-Pro the digital lines CIO0-2 and MIO0-2 are shared. This means that changing the state of MIO0-2 will also change the state of CIO0-2. Therefore, anyone using two accessory boards with a U6 needs to be aware that they can use either CIO0-2 or MIO0-2, but cannot use both simultaneously. MIO0-2 are used to control extended analog channels, so if you are reading extended channels from the Mux80 you do not want to use slots 8-10 on the RB12 (only use slots 0-7 & 11).

The "F", "E", "C", and "M" designators have little special meaning. They are just arbitrary letters used to designate different groupings of digital I/O. The generic designator DIOx is sometimes used to specify any digital I/O from 0 to 22, so for example an alternative name for EIO0 is DIO8.

The U6 has 8 FIO. The first 4 lines, FIO0-FIO3, appear both on the screw terminals and on the DB37 connector. The upper 4 lines appear only on the DB37 connector. By default, the FIO lines are digital I/O, but they can also be configured as up to 4 timers and 2 counters (see Timers/Counters Section of this User's Guide).

The 8 EIO and 4 CIO lines appear only on the DB15 connector. See the DB15 Section of this User's Guide for more information.

Up to 6 of the FIO/EIO lines can be configured as timers and counters. These are enabled sequential starting from FIO0-EIO0 (determined by pin offset). Thus, any sequential block of 1-6 digital I/O, starting from FIO0 to EIO0, can be configured as up to 4 timers and up to 2 counters.

MIO are standard digital I/O that also have a special multiplexer control function described in [Section 2.6](#) above (AIN). The MIO are addressed as digital I/O bits 20-22 by the Windows driver. The MIO hardware (electrical specifications) is the same as the EIO/CIO hardware.

### Max Current & Overvoltage Protection

All the digital I/O include an internal series resistor that provides overvoltage/short-circuit protection. These series resistors also limit the ability of these lines to sink or source current. Refer to the specifications in [Appendix A](#).

### Tri-State I/O

All digital I/O on the U6 have 3 possible states: input, output-high, or output-low. Each bit of I/O can be configured individually. When configured as an input, a bit has a ~100 kΩ pull-up resistor to 3.3 volts (all digital I/O are 5 volt tolerant). When configured as output-high, a bit is connected to the internal 3.3 volt supply (through a series resistor). When configured as output-low, a bit is connected to GND (through a series resistor).

When only lightly loaded, an input terminal will measure about 3.3 volts if measured with a DMM, and thus it can be tough to use a DMM to tell whether a line is set to input or output-high. A couple tips to tell the difference:

1. Look for a slight change where output-high measures a little higher. For example, a DMM might show 3.300 for input and 3.315 for output-high.
2. Add a load resistor. If you add a 100k from DIOx to GND, it should read about 1.6V for input and 3.3V for output-high.

### 5 Volt Output

The fact that the digital I/O are specified as 5-volt tolerant means that 5 volts can be connected to a digital input without problems (see the actual limits in the specifications in Appendix A). If 5 volts is needed from a digital output, consider the following solutions:

- Use the [LJTick-DigitalOut5V](#) to convert a pair of digital outputs to 5V logic.
- In some cases, an open-collector style output can be used to get a 5V signal. To get a low set the line to **output-low**, and to get a high set the line to **input** (... note that this does not work with timer outputs, e.g. PWM, as they toggle the line between output-low and output-high). When the line is set to input, the voltage on the line is determined by a pull-up resistor. The U3 has an internal ~100k resistor to 3.3V, but an external resistor can be added to a different voltage. Whether this will work depends on how much current the load is going to draw and what the required logic thresholds are. Say for example a 10k resistor is added from EIO0 to VS. EIO0 has an internal 100k pull-up to 3.3 volts and a series output resistance of about 180 ohms. Assume the load draws just a few microamps or less and thus is negligible. When EIO0 is set to input, there will be 100k to 3.3 volts in parallel with 10k to 5 volts, and thus the line will sit at about 4.85 volts. When the line is set to output-low, there will be 180 ohms in series with the 10k, so the line will be pulled down to about 0.1 volts.
- A surefire way to get 5 volts from a digital output is to add a simple logic buffer IC that is powered by 5 volts and recognizes 3.3 volts as a high input. Consider the CD74ACT541E from T1 (or the inverting CD74ACT540E). All that is needed is a few wires to bring VS, GND, and the signal from the LabJack to the chip. This chip can level shift up to eight 0/3.3 volt signals to 0/5 volt signals and provides high output drive current (+/-24 mA).
- Note that the 2 DAC channels on the U3 can be set to 5 volts, providing 2 output lines with such capability.

## Basic Tests

For basic testing use the Test Panel in LJControlPanel to change the state of a particular DIO while using a DMM to measure the voltage of that DIO versus GND. (Make sure [DMM leads are properly connected](#).)

Below are typical voltages with:

- No load
- 1k resistor from DIO to GND
- 1k resistor from DIO to VS

The values are a little different for FIO versus EIO/CIO as the latter has [less series impedance](#).

### FIO

FIO vs GND with no load  
 Input 3.28 volts  
 Output-low 0.02 volts  
 Output-high 3.30 volts

FIO vs GND with a 1k resistor installed FIO to GND  
 Input 0.025 volts  
 Output-low 0.015 volts  
 Output-high 2.2 volts

FIO vs GND with a 1k resistor installed FIO to VS  
 Input 5.0 volts  
 Output-low 1.7 volts  
 Output-high 3.9 volts

### EIO/CIO

EIO/CIO vs GND with no load  
 Input 3.29 volts  
 Output-low 0.03 volts  
 Output-high 3.30 volts

EIO/CIO vs GND with a 1k resistor installed EIO/CIO to GND  
 Input 0.025 volts  
 Output-low 0.027 volts  
 Output-high 2.9 volts

EIO/CIO vs GND with a 1k resistor installed EIO/CIO to VS  
 Input 5.0 volts  
 Output-low 0.6 volts  
 Output-high 3.6 volts

## Boot-Up Defaults

The power-up condition of the digital I/O can be configured by the user with the "Config Defaults" option in LJControlPanel. From the factory, all digital I/O are configured to power-up as inputs. Note that even if the power-up default for a line is changed to output-high or output-low, there is a delay of about 5 ms at power-up where all digital I/O are in the factory default condition. For more information [see this forum topic](#).

### Why Are My Digital I/O "High" at Boot-Up?

The implied question here is "why do my DIO boot up as output-high from the factory". The answer is that per the "Boot-Up Defaults" section above the factory default state for all DIO is input, but since inputs have a 100k internal pull-up they will read 3.3 volts if only lightly loaded. So likely you are seeing that the state of your DIO is input, not output-high. Also see the "Tri-State I/O" section above.

## Making An Input Read Low By Default

If you want a floating digital input to read low, an external pull-down resistor can be added to overpower the internal 100k pull-up. 4.7k to 22k would be a typical range for this pull-down, with 10k being a solid choice for most applications.

## Software Interface

The low-level Feedback function ([Section 5.2.5](#)) writes and reads all digital I/O. For information about using digital I/O under the Windows LabJackUD driver, see [Section 4.3.5](#). See [Section 3.0](#) for timing information.

## Bit-Packed Integers

Many function parameters contain specific bits within a single integer parameter to write/read specific information. In particular, most digital I/O parameters contain the information for each bit of I/O in one integer, where each bit of I/O corresponds to the same bit in the parameter (e.g. the direction of FIO0 is set in bit 0 of parameter FIODir). For instance, in the low-level function ConfigU3, the parameter FIODirection is a single byte (8 bits) that writes/reads the power-up direction of each of the 8 FIO lines:

- if FIODirection is 0, all FIO lines are input,
- if FIODirection is 1 ( $2^0$ ), FIO0 is output, FIO1-FIO7 are input,
- if FIODirection is 5 ( $2^0 + 2^2$ ), FIO0 and FIO2 are output, all other FIO lines are input,
- if FIODirection is 255 ( $2^0 + \dots + 2^7$ ), FIO0-FIO7 are output.

## Duplicated Terminals (FIO0-FIO3)

FIO0-FIO3 appear on the built-in screw-terminals and also on the DB37 connector. You should only connect to one or the other, not both at the same time.

To prevent damage due to accidental short circuit, both connection paths have their own series resistor. All FIO lines have a 470 ohm series resistor (that is included in the 550 ohm total impedance), and in the case of FIO0-FIO3 the duplicated connections each have their own series resistor, so if you measure the resistance between the duplicate terminals you will see about 940 ohms.

## 2.8.1 - Typical Digital I/O Connections [U6 Datasheet]

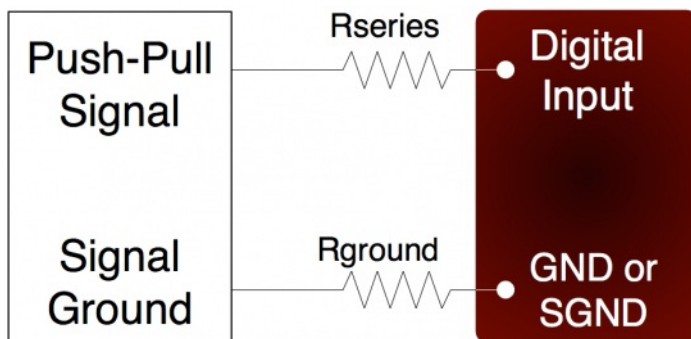
[Log in](#) or [register](#) to post comments

### 2.8.1.1 - Input: Driven Signals [U6 Datasheet]

[Log in](#) or [register](#) to post comments

The most basic connection to a U6 digital input is a driven signal, often called push-pull. With a push-pull signal the source is typically providing a high voltage for logic high and zero volts for logic low. This signal is generally connected directly to the U6 digital input, considering the voltage specifications in Appendix A. If the signal is over 5 volts, it can still be connected with a series resistor. The digital inputs have protective devices that clamp the voltage at GND and VS, so the series resistor is used to limit the current through these protective devices. For instance, if a 24 volt signal is connected through a 22 k $\Omega$  series resistor, about 19 volts will be dropped across the resistor, resulting in a current of 0.9 mA, which is no problem for the U6. The series resistor should be 22 k $\Omega$  or less, to make sure the voltage on the I/O line when low is pulled below 0.8 volts.

The other possible consideration with the basic push-pull signal is the ground connection. If the signal is known to already have a common ground with the U6, then no additional ground connection is used. If the signal is known to not have a common ground with the U6, then the signal ground can simply be connected to U6 GND. If there is uncertainty about the relationship between signal ground and U6 ground (e.g. possible common ground through AC mains), then a ground connection with a 100  $\Omega$  series resistor is generally recommended (see [Section 2.6.3.4](#)).



**Figure 2.8.1.1-1.** Driven Signal Connection To Digital Input

Figure 2.8.1.1-1 shows typical connections. Rground is typically 0-100  $\Omega$ . Rseries is typically 0  $\Omega$  (short-circuit) for 3.3/5 volt logic, or 22 k $\Omega$  (max) for high-voltage logic. Note that an individual ground connection is often not needed for every signal. Any signals powered by the same external supply, or otherwise referred to the same external ground, should share a single ground connection to the U6 if possible.

When dealing with a new sensor, a push-pull signal is often incorrectly assumed when in fact the sensor provides an open-collector signal as described next.

## 2.8.1.2 - Input: Open-Collector Signals [U6 Datasheet]

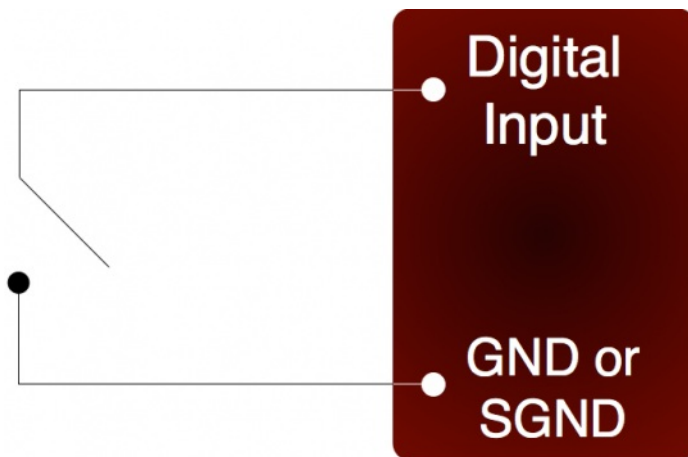
[Log in](#) or [register](#) to post comments

For details about open-collector, open-drain, NPN, or PNP connections, see the [Open-Collector Signals App Note](#)

## 2.8.1.3 - Input: Mechanical Switch Closure [U6 Datasheet]

[Log in](#) or [register](#) to post comments

To detect whether a mechanical switch (dry contact) is open or closed, connect one side of the switch to U6 ground and the other side to a digital input. The behavior is very similar to the open-collector described above.



**Figure 2.8.1.3-1.** Basic Mechanical Switch Connection To Digital Input

When the switch is open, the internal 100 k $\Omega$  pull-up resistor will pull the digital input to about 3.3 volts (logic high). When the switch is closed, the ground connection will overpower the pull-up resistor and pull the digital input to 0 volts (logic low). Since the mechanical switch does not have any electrical connections, besides to the LabJack, it can safely be connected directly to GND, without using a series resistor or SGND.

When the mechanical switch is closed (and even perhaps when opened), it will bounce briefly and produce multiple electrical edges rather than a single high/low transition. For many basic digital input applications, this is not a problem as the software can simply poll the input a few times in succession to make sure the measured state is the steady state and not a bounce. For applications using timers or counters, however, this usually is a problem. The hardware counters, for instance, are very fast and will increment on all the bounces. Some solutions to this issue are:

- Software Debounce: If it is known that a real closure cannot occur more than once per some interval, then software can be used to limit the number of counts to that rate.
- Firmware Debounce: See [section 2.9.1](#) for information about timer mode 6.
- Active Hardware Debounce: Integrated circuits are available to debounce switch signals. This is the most reliable hardware solution. See the MAX6816 ([maxim-ic.com](http://maxim-ic.com)) or EDE2008 ([elabinc.com](http://elabinc.com)).
- Passive Hardware Debounce: A combination of resistors and capacitors can be used to debounce a signal. This is not foolproof, but works fine in most applications



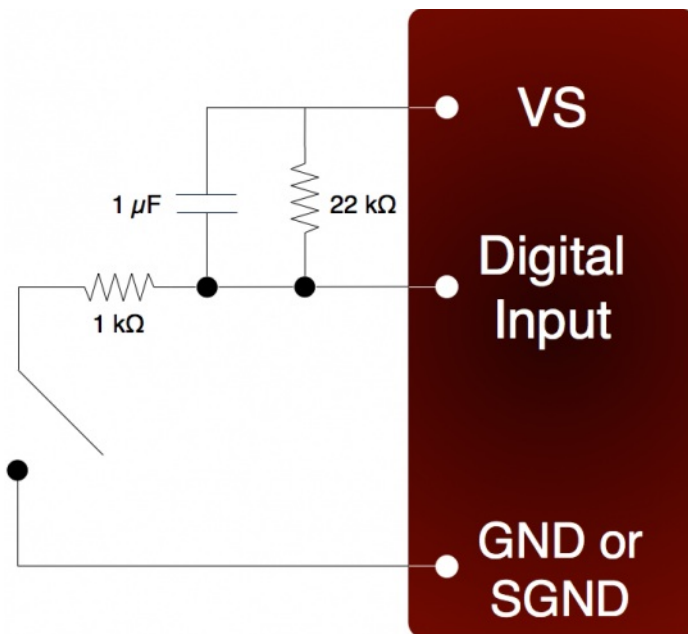


Figure 2.8.1.3-2. Passive Hardware Debounce

Figure 2.8.1.3-2 shows one possible configuration for passive hardware debounce. First, consider the case where the 1 kΩ resistor is replaced by a short circuit. When the switch closes it immediately charges the capacitor and the digital input sees logic low, but when the switch opens the capacitor slowly discharges through the 22 kΩ resistor with a time constant of 22 ms. By the time the capacitor has discharged enough for the digital input to see logic high, the mechanical bouncing is done. The main purpose of the 1 kΩ resistor is to limit the current surge when the switch is closed. 1 kΩ limits the maximum current to about 5 mA, but better results might be obtained with smaller resistor values.

## 2.8.1.4 - Output: Controlling Relays [U6 Datasheet]

[Log in](#) or [register](#) to post comments

All the digital I/O lines have series resistance that restricts the amount of current they can sink or source, but solid-state relays (SSRs) can usually be controlled directly by the digital I/O. The SSR is connected as shown in the following diagram, where VS (~5 volts) connects to the positive control input and the digital I/O line connects to the negative control input (sinking configuration).

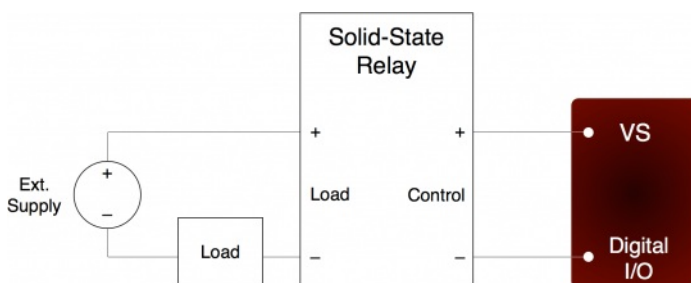


Figure 2.8.1.4-1. Relay Connections (Sinking Control, High-Side Load Switching)

When the digital line is set to output-low, control current flows and the relay turns on. When the digital line is set to input, control current does not flow and the relay turns off. When the digital line is set to output-high, some current flows, but whether the relay is on or off depends on the specifications of a particular relay. It is recommended to only use output-low and input.

For example, the Series 1 (D12/D24) or Series T (TD12/TD24) relays from Crydom specify a max turn-on of 3.0 volts, a min turn-off of 1.0 volts, and a nominal input impedance of 1500 Ω.

- When the digital line is set to output-low, it is the equivalent of a ground connection with 180 Ω EIO/CIO/MIO) or 550 Ω (FIO) in series. When using an EIO/CIO/MIO line, the resulting voltage across the control inputs of the relay will be about  $5 \cdot 1500 / (1500 + 180) = 4.5$  volts (the other 0.5 volts is dropped across the internal resistance of the EIO/CIO/MIO line). With an FIO line the voltage across the inputs of the relay will be about  $5 \cdot 1500 / (1500 + 550) = 3.7$  volts (the other 1.3 volts are dropped across the internal resistance of the FIO line). Both of these are well above the 3.0 volt threshold for the relay, so it will turn on.
- When the digital line is set to input, it is the equivalent of a 3.3 volt connection with 100 kΩ in series. The resulting voltage across the control inputs of the relay will be close to zero, as virtually all of the 1.7 volt difference (between VS and 3.3) is dropped across the internal 100 kΩ resistance. This is well below the 1.0 volt threshold for the relay, so it will turn off.
- When the digital line is set to output-high, it is the equivalent of a 3.3 volt connection with 180 Ω EIO/CIO/MIO) or 550 Ω (FIO) in series. When using an EIO/CIO/MIO line, the resulting voltage across the control inputs of the relay will be about  $1.7 \cdot 1500 / (1500 + 180) = 1.5$  volts. With an FIO line the voltage across the inputs of the relay will be about  $1.7 \cdot 1500 / (1500 + 550) = 1.2$  volts. Both of these in the 1.0-3.0 volt region that is not defined for these example relays, so the resulting state is unknown.

Mechanical relays require more control current than SSRs, and cannot be controlled directly by the digital I/O on the U6. To control higher currents with the digital I/O, some sort of buffer is used. Some options are a discrete transistor (e.g. 2N2222), a specific chip (e.g. ULN2003), or an op-amp.

Note that the U6 DACs can source enough current to control almost any SSR and even some mechanical relays, and thus can be a convenient way to control

1 or 2 relays.

The [RB12 relay board](#) is a useful accessory available from LabJack. This board connects to the DB15 connector on the U6 and accepts up to 12 industry standard I/O modules (designed for Opto22 G4 modules and similar).

Another accessory available from LabJack is the [LJTick-RelayDriver](#). This is a two channel module that plugs into the U6 screw-terminals, and allows two digital lines to each hold off up to 50 volts and sink up to 200 mA. This allows control of virtually any solid-state or mechanical relay.

## 2.9 - Timers/Counters [U6 Datasheet]

[Log in](#) or [register](#) to post comments

### Timers / Counters Overview

The U6 has 4 timers (Timer0-Timer3) and 2 counters (Counter0-Counter1). When any of these timers or counters are enabled, they take over an FIO/EIO line in sequence (Timer0, Timer1, Timer2, Timer3, Counter0, then Counter1), starting with FIO0+TimerCounterPinOffset. The valid range for TimerCounterPinOffset is 0-8, so Timer0 can appear on FIO0-EIO0, and the highest I/O ever used would be EIO5 for Counter1 if all 4 timers and both counters are enabled. Some examples:

1 Timer enabled, Counter0 disabled, Counter1 disabled, and TimerCounterPinOffset=0:  
FIO0=Timer0

1 Timer enabled, Counter0 disabled, Counter1 enabled, and TimerCounterPinOffset=0:  
FIO0=Timer0  
FIO1=Counter1

2 Timers enabled, Counter0 enabled, Counter1 enabled, and TimerCounterPinOffset=8:  
EIO0=Timer0  
EIO1=Timer1  
EIO2=Counter0  
EIO3=Counter1

Timers and counters can appear on various pins, but other I/O lines never move. For example, Timer1 can appear anywhere from FIO1 to EIO1, depending on TimerCounterPinOffset. On the other hand, FIO2 (for example), is always on the screw terminal labeled FIO2.

Applicable digital I/O are automatically configured as input or output as needed when timers and counters are enabled, and stay that way when the timers/counters are disabled.

Timers and counters use digital I/O hardware so the digital I/O specs from [Appendix A](#) apply. An input recognizes 0.0-0.8V as low and 2.0-5.8V as high, so rising and falling edges must transition between those levels. For more information about signal connections see [Section 2.8.1](#).

There are special channel numbers that can be used to read timer and counter values. These channel numbers can be used most places where you would use analog input channel numbers, such as LJLogUD and LJStreamUD. See [Section 3.2.1](#) for more information.

### Timers

The timers (Timer0-Timer3) have various modes available. These are listed in the following table and more details can be found in [Section 2.9.1](#).

**Table 2.9-1.** U6 Timer modes

Index (Low-level & UD)	
0	16-bit PWM output
1	8-bit PWM output
2	Period input (32-bit, rising edges)
3	Period input (32-bit, falling edges)
4	Duty cycle input
5	Firmware counter input
6	Firmware counter input (with debounce)
7	Frequency output
8	Quadrature input
9	Timer stop input (odd timers only)
10	System timer low read (Default mode)
11	System timer high read
12	Period input (16-bit, rising edges)
13	Period input (16-bit, falling edges)
14	Line-to-Line input

All timers use the same timer clock. There are 7 choices for the timer base clock:

**Table 2.9-2.** U6 Timer clock base options

Index (Low-level/UD)	
0/20	4 MHz
1/21	12 MHz
2/22	48 MHz (Default)

4/24	4 MHz /Divisor
5/25	12 MHz /Divisor
6/26	48 MHz /Divisor

The first 3 clocks have a fixed frequency, and are not affected by TimerClockDivisor. The frequency of the last 4 clocks can be further adjusted by TimerClockDivisor, but when using these clocks Counter0 is not available. When Counter0 is not available, it does not use an external FIO/EIO pin. The divisor has a range of 0-255, where 0 corresponds to a division of 256.

## Counters

Each counter (Counter0 or Counter1) consists of a 32-bit register that accumulates the number of falling edges detected on the external pin. If a counter is reset and read in the same function call, the read returns the value just before the reset.

Note that Counter0 is not available with certain timer clock base frequencies. In such a case, it does not use an external FIO/EIO pin. An error will result if an attempt is made to enable Counter0 when one of these frequencies is configured. Similarly, an error will result if an attempt is made to configure one of these frequencies when Counter0 is enabled.

## 2.9.1 - Timer Mode Descriptions [U6 Datasheet]

[Log in](#) or [register](#) to post comments

### 2.9.1.1 - PWM Output (16-Bit, Mode 0) [U6 Datasheet]

[Log in](#) or [register](#) to post comments

Outputs a pulse width modulated rectangular wave output. Value passed should be 0-65535, and determines what portion of the total time is spent low (out of 65536 total increments). That means the duty cycle can be varied from 100% (0 out of 65536 are low) to 0.0015% (65535 out of 65536 are low).

The overall frequency of the PWM output is the clock frequency specified by TimerClockBase/TimerClockDivisor divided by  $2^6$ . The following table shows the range of available PWM frequencies based on timer clock settings.

**Table 2.9.1.1-1.** 16-bit PWM Frequency Ranges

TimerClockBase		PWM16 Frequency Ranges	
		Divisor=1	Divisor=256
0	4 MHz	61.04	N/A
1	12 MHz	138.11	N/A
2	48 MHz (Default)	732.42	N/A
3	1 MHz /Divisor	15.26	0.06
4	4 MHz /Divisor	61.04	0.238
5	12 MHz /Divisor	183.11	0.715
6	48 MHz /Divisor	732.42	2.861

The same clock applies to all timers, so all 16-bit PWM channels will have the same frequency and will have their falling edges at the same time.

PWM output starts by setting the digital line to output-low for the specified amount of time. The output does not necessarily start instantly, but rather has to wait for the internal clock to roll. For 16-bit PWM output, the start delay varies from 0.0 to TimerClockDivisor\*65536/TimerClockBase. For example, if TimerClockBase = 48 MHz and TimerClockDivisor = 1, PWM frequency is 732 Hz, PWM period is 1.4 ms, and the start delay will vary from 0 to 1.4 ms.

If a duty cycle of 0.0% (totally off) is required, consider using a simple inverter IC such as the CD74ACT540E from TI. Or you can switch the mode of the timer to some input mode, and add an external pull-down to hold the line low when set to input.

### 2.9.1.2 - PWM Output (8-Bit, Mode 1) [U6 Datasheet]

[Log in](#) or [register](#) to post comments

Outputs a pulse width modulated rectangular wave output. Value passed should be 0-65535, and determines what portion of the total time is spent low (out of 65536 total increments). The lower byte is actually ignored since this is 8-bit PWM. That means the duty cycle can be varied from 100% (0 out of 65536 are low) to 0.4% (65280 out of 65536 are low).

The overall frequency of the PWM output is the clock frequency specified by TimerClockBase/TimerClockDivisor divided by  $2^8$ . The following table shows the range of available PWM frequencies based on timer clock settings.

**Table 2.9.1.2-1.** 8-bit PWM Frequency Ranges

TimerClockBase		PWM8 Frequency Ranges	
		Divisor=1	Divisor=256
-	-	-	-

1	4 MHz	15625	N/A
2	48 MHz (Default)	187500	N/A
3	1 MHz /Divisor	3906.25	15.259
4	4 MHz /Divisor	15625	61.035
5	12 MHz /Divisor	46875	183.105
6	48 MHz /Divisor	187500	732.422

The same clock applies to all timers, so all 8-bitPWM channels will have the same frequency and will have their falling edges at the same time.

PWM output starts by setting the digital line to output-low for the specified amount of time. The output does not necessarily start instantly, but rather has to wait for the internal clock to roll. For 8-bit PWM output, the start delay varies from 0.0 to  $\text{TimerClockDivisor} * 256 / \text{TimerClockBase}$ . For example, if  $\text{TimerClockBase} = 48 \text{ MHz}$  and  $\text{TimerClockDivisor} = 256$ , PWM frequency is 732 Hz, PWM period is 1.4 ms, and the start delay will vary from 0 to 1.4 ms.

If a duty cycle of 0.0% (totally off) is required, consider using a simple inverter IC such as the CD74ACT540E from TI. Or you can switch the mode of the timer to some input mode, and add an external pull-down to hold the line low when set to input.

## 2.9.1.3 - Period Measurement (32-Bit, Modes 2 & 3) [U6 Datasheet]

[Log in](#) or [register](#) to post comments

**Mode 2:** On every rising edge seen by the external pin, this mode records the number of clock cycles (clock frequency determined by  $\text{TimerClockBase} / \text{TimerClockDivisor}$ ) between this rising edge and the previous rising edge. The value is updated on every rising edge, so a read returns the time between the most recent pair of rising edges.

In this 32-bit mode, the processor must jump to an interrupt service routine to record the time, so small errors can occur if another interrupt is already in progress. The possible error sources are:

- Other edge interrupt timer modes (2/3/4/5/8/9/12/13). If an interrupt is already being handled due to an edge on the other timer, delays of a few microseconds are possible.
- If a stream is in progress, every sample is acquired in a high-priority interrupt. These interrupts could cause delays on the order of 10 microseconds.
- The always active U6 system timer causes an interrupt 61 times per second. If this interrupt happens to be in progress when the edge occurs, a delay of about 1 microsecond is possible. If the software watchdog is enabled, the system timer interrupt takes longer to execute and a delay of a few microseconds is possible.

Note that the minimum measurable period is limited by the edge rate limit discussed in Section 2.9.2.

See [Section 3.2.1](#) for a special condition if stream mode is used to acquire timer data in this mode.

Writing a value of zero to the timer performs a reset. After reset, a read of the timer value will return zero until a new edge is detected. If a timer is reset and read in the same function call, the read returns the value just before the reset.

**Mode 3** is the same except that falling edges are used instead of rising edges.

### Edge Rate Limits

This edge-detecting timer mode requires processing resources as an interrupt is required to handle each edge. See more about edge rate limits in [Section 2.9.2](#).

## 2.9.1.4 - Duty Cycle Measurement (Mode 4) [U6 Datasheet]

[Log in](#) or [register](#) to post comments

Records the high and low time of a signal on the external pin, which provides the duty cycle, pulse width, and period of the signal. Returns 4 bytes, where the first two bytes (least significant word or LSW) are a 16-bit value representing the number of clock ticks during the high signal, and the second two bytes (most significant word or MSW) are a 16-bit value representing the number of clock ticks during the low signal. The clock frequency is determined by  $\text{TimerClockBase} / \text{TimerClockDivisor}$ .

The appropriate value is updated on every edge, so a read returns the most recent high/low times. Note that a duty cycle of 0% or 100% does not have any edges.

To select a clock frequency, consider the longest expected high or low time, and set the clock frequency such that the 16-bit registers will not overflow. In other words, to measure 0% to 100% duty cycle for a given signal frequency, you need to set your clock frequency low enough such that the overall period of the signal is less than  $65535 * 1 / \text{TimerClockFrequency}$ . That equates to:

$$f_{\text{clock}} \leq 65535 * f_{\text{signal}}$$

Note that the minimum measurable high/low time is limited by the edge rate limit discussed in [Section 2.9.2](#).

When using the LabJackUD driver the value returned is the entire 32-bit value. To determine the high and low time this value should be split into a high and low word. One way to do this is to do a modulus divide by  $2^{16}$  to determine the LSW, and a normal divide by  $2^{16}$  (keep the quotient and discard the remainder) to determine the MSW.

Writing a value of zero to the timer performs a reset. After reset, a read of the timer value will return zero until a new edge is detected. If a timer is reset and read in the same function call, the read returns the value just before the reset. The duty cycle reset is special, in that if the signal is low at the time of reset, the high-time/low-time registers are set to 0/65535, but if the signal is high at the time of reset, the high-time/low-time registers are set to 65535/0. Thus if no edges occur before the next read, it is possible to tell if the duty cycle is 0% or 100%.

**Edge Rate Limits**

This edge-detecting timer mode requires processing resources as an interrupt is required to handle each edge. See more about edge rate limits in [Section 2.9.2](#).

**2.9.1.5 - Firmware Counter Input (Mode 5) [U6 Datasheet]**

[Log in](#) or [register](#) to post comments

On every rising edge seen by the external pin, this mode increments a 32-bit register. Unlike the pure hardware counters, these timer counters require that the firmware jump to an interrupt service routine on each edge.

Writing a value of zero to the timer performs a reset. After reset, a read of the timer value will return zero until a new edge is detected. If a timer is reset and read in the same function call, the read returns the value just before the reset.

**Edge Rate Limits**

This edge-detecting timer mode requires processing resources as an interrupt is required to handle each edge. See more about edge rate limits in [Section 2.9.2](#).

**2.9.1.6 - Firmware Counter Input With Debounce (Mode 6) [U6 Datasheet]**

[Log in](#) or [register](#) to post comments

Intended for frequencies less than 10 Hz, this mode adds a debounce feature to the firmware counter, which is particularly useful for signals from mechanical switches. On every applicable edge seen by the external pin, this mode increments a 32-bit register. Unlike the pure hardware counters, these timer counters require that the firmware jump to an interrupt service routine on each edge.

The debounce period is set by writing the timer value. The low byte of the timer value is a number from 0-255 that specifies a debounce period in 16 ms increments (plus an extra 0-16 ms of variability):

$$\text{Debounce Period} = (0-16 \text{ ms}) + (\text{TimerValue} * 16 \text{ ms})$$

In the high byte (bits 8-16) of the timer value, bit 0 determines whether negative edges (bit 0 clear) or positive edges (bit 0 set) are counted.

Assume this mode is enabled with a value of 1, meaning that the debounce period is 16-32 ms and negative edges will be counted. When the input detects a negative edge, it increments the count by 1, and then waits 16-32 ms before re-arming the edge detector. Any negative edges within the debounce period are ignored. This is good behavior for a normally-high signal where the switch closure causes a brief low signal ([Section 2.8.1.3](#)). The debounce period can be set long enough so that bouncing on both the switch closure and switch open is ignored.

Writing a value of zero to the timer performs a reset. After reset, a read of the timer value will return zero until a new edge is detected. If a timer is reset and read in the same function call, the read returns the value just before the reset.

**Edge Rate Limits**

This edge-detecting timer mode requires processing resources as an interrupt is required to handle each edge. See more about edge rate limits in [Section 2.9.2](#).

**2.9.1.7 - Frequency Output (Mode 7) [U6 Datasheet]**

[Log in](#) or [register](#) to post comments

Outputs a square wave at a frequency determined by  $\text{TimerClockBase} / \text{TimerClockDivisor} / 2^{\text{Timer\#Value}}$ . The Value passed should be between 0-255, where 0 is a divisor of 256. By changing the clock configuration and timer value, a wide range of frequencies can be output, as shown in the following table:

**Table 2.9.1.7-1. Mode 7 Frequency Ranges**

		Mode 7 Frequency Ranges	
		Divisor=1	Divisor=1
TimerClockBase		Value =1	Value = 256
0	4 MHz	2000000	7812.5
1	12 MHz	6000000	23437.5
2	48 MHz (Default)	24000000	93750
		Divisor=1	Divisor=256
		Value =1	Value = 256

3	1 MHz /Divisor	500000	7.629
4	4 MHz /Divisor	2000000	30.518
5	12 MHz /Divisor	6000000	91.553
6	48 MHz /Divisor	24000000	366.211

The frequency output has a -3 dB frequency of about 10 MHz on the FIO lines. Accordingly, at high frequencies the output waveform will get less square and the amplitude will decrease.

The output does not necessarily start instantly, but rather has to wait for the internal clock to roll. For the Frequency Output mode, the start delay varies from 0.0 to  $\text{TimerClockDivisor} * 256 / \text{TimerClockBase}$ . For example, if  $\text{TimerClockBase} = 48 \text{ MHz}$  and  $\text{TimerClockDivisor} = 256$ , the start delay will vary from 0 to 1.4 ms.

## 2.9.1.8 - Quadrature Input (Mode 8) [U6 Datasheet]

[Log in](#) or [register](#) to post comments

Requires 2 timer channels used in adjacent pairs (0/1 or 2/3). Even timers will be quadrature channel A, and odd timers will be quadrature channel B.  $\text{Timer\#Value}$  passed has no effect. The U6 does 4x quadrature counting, and returns the current count as a signed 32-bit integer (2's complement). The same current count is returned on both even and odd timer value parameters.

Writing a value of zero to either or both timers performs a reset of both. After reset, a read of either timer value will return zero until a new quadrature count is detected. If a timer is reset and read in the same function call, the read returns the value just before the reset.

### 4X Counting

Quadrature mode uses the very common 4X counting method, which provides the highest resolution possible. That means you get a count for every edge (rising & falling) on both phases (A & B). Thus if you have an encoder that provides 32 PPR, and you rotate that encoder forward 1 turn, the timer Value register will be incremented by +128 counts.

### Z-Phase Support

Quadrature mode supports Z-Phase. When enabled this feature will set the count to zero when the specified IO line sees a logic high.

Z-phase is controlled by the value written to the timer during initialization. To enable z-phase support set bit 15 to 1 and set bits 0 through 4 to the DIO number that Z is connected to. EG: for a Z-line on EIO3 set the timer value to 0x800B or 32779. This value should be sent to both the A and B timers.

Note that the LabJack will only check Z when it sees an edge on the A or B lines.

Z-phase support requires Firmware 1.14+.

### 2's Complement

Other timer modes return unsigned values, but this timer mode is unique in that it returns a signed value from -2147483648 to +2147483647. That is, a 32-bit [2's complement](#) value. When you do a timer value read and get back a single float from the UD driver, the math is already done and you get back a value from -2147483648.0 to +2147483647.0, but when using the special channels 20x/23x/224 you get the LSW and MSW separately and have to do the math yourself. Search for 2's complement math for your particular programming language.

In a language such as C++, you start by doing using unsigned 32-bit variables & constants to compute  $\text{Value} = (\text{MSW} * 65536) + \text{LSW}$ . Then simply cast Value to a signed 32-bit integer.

In a language such as Java that does not support unsigned integers, do everything with signed 64-bit variables & constants. First calculate  $\text{Value} = (\text{MSW} * 65536) + \text{LSW}$ . If  $\text{Value} < 2147483648$ , you are done. If  $\text{Value} \geq 2147483648$ , do  $\text{ActualValue} = -1 * (4294967296 - \text{Value})$ .

### Edge Rate Limits

This edge-detecting timer mode requires processing resources as an interrupt is required to handle each edge. See more about edge rate limits in [Section 2.9.2](#).

### Can I Use a Simple Counter Instead?

If you need to track absolute position with changing direction (forward & reverse), you need to use the timer feature described above to decode quadrature signals, as the relationship between edges on the A & B phases indicates direction. However, if movement is only in one direction, or you always know the direction of movement, you can just connect one phase (A or B) to a [hardware counter](#) (2 available on the U3) or [firmware counter](#) (2 available on the U3). Hardware counters can handle much faster edge rates (up to 8 MHz per [Appendix A](#)). Firmware counters have the same edge rate limits as quadrature, but the firmware counter is counting 1/4th the edges of a quadrature timer and thus can handle a signal with 4x the frequency, and also is only using 1 timer rather than 2.

## 2.9.1.9 - Timer Stop Input (Mode 9) [U6 Datasheet]

[Log in](#) or [register](#) to post comments

This mode should only be assigned to Timer1 or Timer3. On every rising edge seen by the **external pin**, this mode increments a 16-bit register. When that register matches the specified timer value (stop count value), the adjacent even timer (Timer0 or Timer2) is stopped. The range for the stop count value is 1-65535. Generally, the signal applied to TimerOdd is from TimerEven, which is configured in some output timer mode. One place where this might be useful is for stepper motors, allowing control over a certain number of steps.

Note that the timer is counting from the external pin like other input timer modes, so you must connect something to the stop timer input pin. For example, if you are using Timer1 to stop Timer0 which is outputting pulses, you must connect a jumper from Timer0 to Timer1.

Once this timer reaches the specified stop count value, and stops the adjacent timer, the timers must be reconfigured to restart the output.

When TimerEven is stopped, it is still enabled but just not outputting anything. Thus rather than returning to whatever previous digital I/O state was on that terminal, it goes to the state "digital-input" (which has a 100 k $\Omega$  pull-up to 3.3 volts). That means the best results are generally obtained if the terminal used by TimerEven was initially configured as digital input (factory default), rather than output-high or output-low. This will result in negative going pulses, so if you need positive going pulses consider using a simple inverter IC such as the CD74ACT540E from TI.

The MSW of the read from this timer mode returns the number of edges counted, but does not increment past the stop count value. The LSW of the read returns edges waiting for.

### Edge Rate Limits

This edge-detecting timer mode requires processing resources as an interrupt is required to handle each edge. See more about edge rate limits in [Section 2.9.2](#).

## 2.9.1.10 - System Timer Low/High Read (Modes 10 & 11) [U6 Datasheet]

[Log in](#) or [register](#) to post comments

The LabJack U6 has a free-running internal 64-bit system timer with a frequency of 4 MHz. Timer modes 10 & 11 return the lower or upper 32-bits of this timer. An FIO line is allocated for these modes like normal, even though they are internal readings and do not require any external connections. This system timer cannot be reset, and is not affected by the timer clock.

If using both modes 10 & 11, read both in the same low-level command and read 10 before 11.

Mode 11, the upper 32 bits of the system timer, is not available for stream reads. Note that when streaming on the U6, the timing is known anyway (elapsed time = scan rate \* scan number) and it does not make sense to stream the system timer modes 10 or 11.

## 2.9.1.11 - Period Measurement (16-Bit, Modes 12 & 13) [U6 Datasheet]

[Log in](#) or [register](#) to post comments

Similar to the 32-bit edge-to-edge timing modes described above (modes 2 & 3), except that hardware capture registers are used to record the edge times. This limits the times to 16-bit values, but is accurate to the resolution of the clock, and not subject to any errors due to firmware processing delays.

Note that the minimum measurable period is limited by the edge rate limit discussed in Section 2.9.2.

### Edge Rate Limits

This edge-detecting timer mode requires processing resources as an interrupt is required to handle each edge. See more about edge rate limits in [Section 2.9.2](#).

## 2.9.1.12 - Line-to-Line Measurement (Mode 14) [U6 Datasheet]

[Log in](#) or [register](#) to post comments

This timer mode requires firmware 1.16 or later.

### Introduction:

The Line-to-Line timer mode uses two timers to measure the time between specified edges on two different lines. For instance, you can measure the time between a rising edge on Timer0 and a falling edge on Timer1. When the LabJack sees the specified edge on Timer0 it starts counting until it sees the specified edge on Timer1. High resolution up to 20.8ns can be achieved with this mode.

Line-to-Line mode is also available on timers 2 and 3.

### Configuring:

To configure a LabJack for Line-to-Line mode set an even timer and the next (odd) timer to mode 14. The timer values determine the edge that the timer will respond to, 1 being rising, 0 being falling. So, if Timer0's value is 0 and Timer1's is 1 then the LabJack will measure the time between a falling edge on Timer0 to a rising edge on Timer1.

### Readings:

Once configured the timer will return zero until both specified edges have been detected. The time difference in TimerClock periods is then returned by both timers until they are reset. Both timers will return the same reading, so it is only necessary to read one or the other. To convert to time, divide the value returned by the timer clock. This mode returns 16-bit values, so care should be taken to be sure that the specified condition does not exceed the maximum time. The maximum time can be calculated by  $65535/\text{TimerClock}$ , and resolution is  $1/\text{TimerClock}$ , so some examples are:

TimerClock,	MaxTime,	Resolution
48 MHz,	1.3ms,	20.8ns
1 MHz,	65ms,	1 $\mu$ s
3906 Hz,	16.7s,	256 $\mu$ s

### Resetting:

Once a measurement has been acquired the even timer needs to be reset before the LabJack will measure again. Values specified when resetting have no effect. Once reset the even timer will return zero until a new measurement has been completed. Resetting the odd timer is optional, if not reset it will continue to return the last measurement until a new one has been completed.

## 2.9.2 - Timer Operation/Performance Notes [U6 Datasheet]

[Log in](#) or [register](#) to post comments

Note that the specified timer clock frequency is the same for all timers. That is, TimerClockBase and TimerClockDivisor are singular values that apply to all timers. Modes 0, 1, 2, 3, 4, 7, 12, and 13, all are affected by the clock frequency, and thus the simultaneous use of these modes has limited flexibility. This is often not an issue for modes 2 and 3 since they use 32-bit registers.

The output timer modes (0, 1, and 7) are handled totally by hardware. Once started, no processing resources are used and other U6 operations do not affect the output.

The edge-detecting timer input modes do require U6 processing resources, as an interrupt is required to handle each edge. Timer modes 2, 3, 5, 6, 9, 12, and 13 must process every applicable edge (rising **or** falling). Timer modes 4 and 8 must process every edge (rising **and** falling). To avoid missing counts, keep the total number of processed edges (all timers) less than 30,000 per second. That means that in the case of a single timer, there should be no more than 1 edge per 33  $\mu$ s. For multiple timers, all can process an edge simultaneously, but if for instance both timers get an edge at the same time, 66  $\mu$ s should be allowed before any further edges are applied. If streaming is occurring at the same time, the maximum edge rate will be less (7,000 per second), and since each edge requires processing time the sustainable stream rates can also be reduced.

## 2.10 - SPC (or VSPC) [U6 Datasheet]

[Log in](#) or [register](#) to post comments

The SPC (possibly labeled VSPC on some older devices) terminal is used for manually resetting default values or jumping in/out of flash programming mode.

At power-up the device checks to see if SPC is shorted to the specified FIO terminal. A jumper wire must be securely clamped between the terminals.

FIO0-SPC, Force to Normal Mode: See [Section 1.2 - Self-Upgrade Application \(LJSelfUpgrade\)](#)

FIO1-SPC, Force to Flash Mode: See [Section 1.2 - Self-Upgrade Application \(LJSelfUpgrade\)](#)

FIO2-SPC, Set-to-Factory: To set the device to factory condition, power up with a jumper securely clamped from FIO2 to SPC, then remove the jumper and power cycle the device again. The most common use of this is to disable the watchdog in the event it was enabled with a very short timeout and you are having trouble establishing communication with the device before the watchdog resets it.

## 2.11 - DB37 [U6 Datasheet]

[Log in](#) or [register](#) to post comments

### DB37 Overview



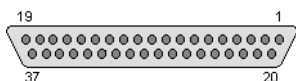
This high-density connector provides access to the U6 features that are not available on the screw terminal edge of the unit. It brings out analog inputs (AIN), analog outputs (DAC), digital I/O (FIO), and other signals. Some signals appear on both the DB37 connector and screw terminals, so care must be taken to avoid a short circuit.

Some signals appear on both the DB37 connector and screw terminals, so care must be taken to avoid contention. For such signals, only connect to one location, not both. Signals duplicated on the U6 screw terminals and the DB37 are denoted in **bold**.

## Pinout

**Table 2.11-1.** DB37 Connector Pinouts

DB37 Pinouts					
1	<b>GND</b>	14	AIN9	27	Vs
2	<b>PIN2 (200uA)</b>	15	AIN7	28	Vm+
3	FIO6	16	AIN5	29	<b>DAC1</b>
4	FIO4	17	<b>AIN3</b>	30	<b>GND</b>
5	<b>FIO2</b>	18	<b>AIN1</b>	31	AIN12
6	<b>FIO0</b>	19	<b>GND</b>	32	AIN10
7	MIO1/CIO1	20	<b>PIN20 (10uA)</b>	33	AIN8
8	<b>GND</b>	21	FIO7	34	AIN6
9	Vm-	22	FIO5	35	AIN4
10	<b>GND</b>	23	<b>FIO3</b>	36	<b>AIN2</b>
11	<b>DAC0</b>	24	<b>FIO1</b>	37	<b>AIN0</b>
12	AIN13	25	MIO0/CIO0		
13	AIN11	26	MIO2/CIO2		



**Figure 2.11-2.** standard DB37 pin numbers looking into the female connector on the U6.

## VS, GND, FIO/MIO, AIN, DAC, 200UA/10UA

Descriptions of these can be found in their related sections of this datasheet.

## VM+/VM-

Vm+/Vm- are bipolar power supplies intended to power external multiplexer ICs such as the DG408 from Intersil. The multiplexers can only pass signals within their power supply range, so Vm+/Vm- can be used to pass bipolar signals. Nominal voltage is  $\pm 13$  volts at no load and  $\pm 12$  volts at 2.5 mA. Both lines have a 100 ohm source impedance, and are designed to provide 2.5 mA or less. This is the same voltage supply used internally by the U6 to bias the analog input amplifier and multiplexers. If this supply is loaded more than 2.5 mA, the voltage can droop to the point that the maximum analog input range is reduced. If this supply is severely overloaded (e.g. short circuited), then damage could eventually occur. If Vm+/Vm- are used to power multiplexers, series diodes are recommended as shown in Figure 9 of the Intersil DG408 datasheet. Not so much to protect the mux chips, but to prevent current from going back into Vm+/Vm-. Use Schottky diodes to minimize voltage drop.

## Duplicated Input Terminals (AIN0-AIN3 & FIO0-FIO3)

AIN0-AIN3 & FIO0-FIO3 appear on the built-in screw-terminals and also on the DB37 connector. You should only connect to one or the other, not both at the same time.

To prevent damage due to accidental short circuit, both connection paths have their own series resistor. All FIO lines have a 470 ohm series resistor (that is included in the 550 ohm total impedance), and in the case of FIO0-FIO3 the duplicated connections each have their own series resistor, so if you measure the resistance between the duplicate terminals you will see about 940 ohms. All AIN lines have a 2.2k series resistor, and in the case of AIN0-AIN3 the duplicated connections each have their own series resistor, so if you measure the resistance between the duplicate terminals you will see about 4.4k.

## CB37 Terminal Board

The **CB37 terminal board** from LabJack connects to the DB37 connector and provides convenient screw terminal access to all lines. The CB37 is designed to connect directly to the DB37, but can also connect via a 37-line 1:1 male-female cable.

When using the analog connections on the CB37, the effect of ground currents should be considered, particularly when a cable is used and substantial current is sourced/sunk through the CB37 terminals. When any sizeable cable lengths are involved, a good practice is to separate current carrying ground from ADC reference ground. An easy way to do this on the CB37 is to use GND as the current source/sink, and use AGND as the reference ground. This works well for passive sensors (no power supply), such as a thermocouple, where the only ground current is the return of the input bias current of the analog input.

## EB37 Experiment Board

The **EB37 experiment board** connects to the DB37 connector and provides convenient screw terminal access. Also provided is a solderless breadboard and useful power supplies. The EB37 is designed to connect directly to the DB37, but can also connect via a 37-line 1:1 male-female cable.

## OEM

The OEM U6 has a separate header location to bring out the same connections as the DB37 connector. This OEM header location is labeled J3. The J3 holes

are always present, but are obstructed when the DB37 connector is installed. For more information see [Section 2.13](#).

## 2.11.1 CB37 Terminal Board [U6 Datasheet]

[Log in](#) or [register](#) to post comments

The [CB37 terminal board](#) from LabJack connects to the U6's DB37 connector and provides convenient screw terminal access to all lines. The CB37 is designed to connect directly to the U6, but can also connect via a 37-line 1:1 male-female cable.

When using the analog connections on the CB37, the effect of ground currents should be considered, particularly when a cable is used and substantial current is sourced/sunk through the CB37 terminals. For instance, a test was done with a 6 foot cable between the CB37 and U6, and a 100 ohm load placed from Vs to GND on the CB37 (~50 mA load). A measurement of CB37 GND compared to U6 GND showed 29.9 mV. If a signal was connected to AIN0 on the CB37 and referred to GND on the CB37, the U6 reading would be offset by ~29 mV. The same test with the CB37 direct connected to the U6 (no cable) resulted in an offset of only 9 mV. In both cases (cable or no cable), the voltage measured between CB37 AGND and U6 GND was 0.01 mV.

When any sizeable cable lengths are involved, a good practice is to separate current carrying ground from ADC reference ground. An easy way to do this on the CB37 is to use GND as the current source/sink, and use AGND as the reference ground. This works well for passive sensors (no power supply), such as a thermocouple, where the only ground current is the return of the input bias current of the analog input.

## 2.11.2 - EB37 Experiment Board [U6 Datasheet]

[Log in](#) or [register](#) to post comments

The [EB37 experiment board](#) connects to the LabJack U6's DB37 connector and provides convenient screw terminal access. Also provided is a solderless breadboard and useful power supplies. The EB37 is designed to connect directly to the LabJack, but can also connect via a 37-line 1:1 male-female cable.

## 2.12 - DB15 [U6 Datasheet]

[Log in](#) or [register](#) to post comments

### DB15 Overview

The DB15 connector brings out 12 additional digital I/O. It has the potential to be used as an expansion bus, where the 8 EIO are data lines and the 4 CIO are control lines.

Note that on the U6/U6-Pro the digital lines CIO0-2 and MIO0-2 are shared. This means that changing the state of MIO0-2 will also change the state of CIO0-2. Therefore, anyone using two accessory boards with a U6 needs to be aware that they can use either CIO0-2 or MIO0-2, but cannot use both simultaneously. MIO0-2 are used to control extended analog channels, so if you are reading extended channels from the Mux80 you do not want to use slots 8-10 on the RB12 (only use slots 0-7 & 11).

In the Windows LabJackUD driver, the EIO are addressed as digital I/O bits 8 through 15, and the CIO are addressed as bits 16-19.

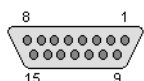
0-7 FIO0-FIO7  
8-15 EIO0-EIO7  
16-19 CIO0-CIO3

These 12 channels include an internal series resistor that provides overvoltage/short-circuit protection. These series resistors also limit the ability of these lines to sink or source current. Refer to the specifications in [Appendix A](#).

All digital I/O on the U6 have 3 possible states: input, output-high, or output-low. Each bit of I/O can be configured individually. When configured as an input, a bit has a ~100 kΩ pull-up resistor to 3.3 volts. When configured as output-high, a bit is connected to the internal 3.3 volt supply (through a series resistor). When configured as output-low, a bit is connected to GND (through a series resistor).

**Table 2.12-1.** DB15 Connector Pinouts

DB15 Pinouts			
1	Vs	9	CIO0
2	CIO1	10	CIO2
3	CIO3	11	GND
4	EIO0	12	EIO1
5	EIO2	13	EIO3
6	EIO4	14	EIO5
7	EIO6	15	EIO7
8	GND		



**Figure 2.12-2.** standard DB15 pin numbers looking into the female connector on the U6.

## 2.12.1 - CB15 Terminal Board [U6 Datasheet]

[Log in](#) or [register](#) to post comments

The [CB15 terminal board](#) connects to the LabJack U6's DB15 connector. It provides convenient screw terminal access to the 12 digital I/O available on the DB15 connector. The CB15 is designed to connect directly to the LabJack, or can connect via a standard 15-line 1:1 male-female DB15 cable.

## 2.12.2 - RB12 Relay Board [U6 Datasheet]

[Log in](#) or [register](#) to post comments

The [RB12 relay board](#) provides a convenient interface for the U6 to industry standard digital I/O modules, allowing electricians, engineers, and other qualified individuals, to interface a LabJack with high voltages/currents. The RB12 relay board connects to the DB15 connector on the LabJack, using the 12 EIO/CIO lines to control up to 12 I/O modules. Output or input types of digital I/O modules can be used. The RB12 is designed to accept G4 series digital I/O modules from Opto22, and compatible modules from other manufacturers such as the G5 series from Grayhill. Output modules are available with voltage ratings up to 200 VDC or 280 VAC, and current ratings up to 3.5 amps.

## 2.13 - OEM Connector Options [U6 Datasheet]

[Log in](#) or [register](#) to post comments

There is an OEM version of the U6 available called the [U6-OEM](#). The U6-OEM does not have the red case, screw-terminals, DB connectors, or the USB connector. If you need any of these, they are much easier to install than to remove.

The U6 PCB has alternate holes available for standard 0.1" pin-header installation. Example connectors are the Digikey WM268xx (where, for example, xx is 16 for the 2x8 header).

The 2x5 header JTAG1 is normally installed on the U6 and U6-OEM. This header is for factory use. You can use a mating header for physical support purposes, but it should not connect to anything. Near JTAG1 there is also a spot to install a 2-pin header called MECH. The MECH holes do not connect to anything, and are just for the user wanting mechanical support in this corner.

Connectors J2 and J3 provide pin-header alternatives to the DB15 and DB37 connectors. The J2 and J3 holes are always present, but are obstructed when the DB15 and DB37 are installed. J4 is duplicate connections and mostly just for continuity with other LabJack devices.

**Table 2.13-1.** J2 OEM Pin-Headers

J2			
1	GND	2	VS
3	CIO0	4	CIO1
5	CIO2	6	CIO3
7	GND	8	EIO0
9	EIO1	10	EIO2
11	EIO3	12	EIO4
13	EIO5	14	EIO6
15	EIO7	16	GND

**Table 2.13-2.** J3 OEM Pin-Headers

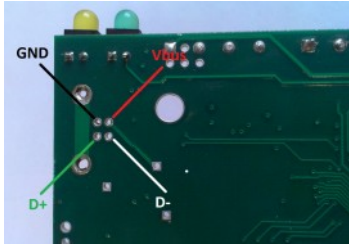
J3			
1	GND	2	GND
3	PIN2 (200uA)	4	PIN20 (10uA)
5	FIO7	6	FIO6
7	FIO5	8	FIO4
9	FIO3	10	FIO2
11	FIO1	12	FIO0
13	MIO0/CIO0	14	MIO1/CIO1
15	MIO2/CIO2	16	GND
17	Vs	18	Vm-
19	Vm+	20	GND
21	DAC1	22	DAC0
23	GND	24	AIN13
25	AIN12	26	AIN11
27	AIN10	28	AIN9
29	AIN8	30	AIN7
31	AIN6	32	AIN5
33	AIN4	34	AIN3
35	AIN2	36	AIN1
37	AIN0	38	GND
39	GND	40	GND

**Table 2.13-3.** J4 OEM Pin-Headers

J4			
1	200uA	2	GND
3	GND	4	GND
5	10uA	6	VS

## USB (USB1)

There are 4 holes for a standard Type-B USB connection (plus a couple large holes for mounting tabs). Looking at the bottom (solder-side) of the PCB with the screw-terminal edge of the PCB oriented top, GND (pin 4, black wire) is in the upper-left corner closest to the yellow LED. Then clockwise it goes Vbus (5 volts, upper-right, pin 1, red wire), D- (lower-right, pin 2, white wire), and D+ (lower-left, pin 3, green wire).



USB pinout details. Solder-side of PCB shown.

If using a normal Type-B USB connector (such as the Digikey 609-1039), it must be installed on the component side of the PCB, not the solder side.

A normal USB cable has a shield, and the normal Type-B connector connects the cable shield to the mounting tabs on the connector which are then soldered into the large USB mounting holes on the PCB. If you are not using a normal USB connector, and have a shield in your USB cable, we recommend that the shield be connected to either of the large USB mounting holes on the PCB.

## Alternative Power Supply (USB, P5, J5)

P5 and J5 overlap each other on the PCB. P5 is for a 5mm 2-pole screw-terminal. J5 is for a 2-pole 0.1" pin header. The hole with the square pad is pin 1 and is for the supply voltage. The other holes are both pin 2 and are for ground.

Generally 5 volt power is provided via the USB holes, and usually it is provided from the USB host. There are few reasons, if any, to power the U6 from anything besides the USB host. The only valid reason we hear has to do with keeping the U6 powered even when the USB host loses power, which is an unusual requirement in itself since the U6 does not really do anything without a USB host connected. If you are considering an external supply for reasons related to noise or stability, you are probably "barking up the wrong tree" and should contact [support@labjack.com](mailto:support@labjack.com).

The power supply provided by USB is typically 5 volts +/-5% @500 mA. The following describe alternate supply options. Note that in all cases USB ground and the external supply common/negative/ground must both connect to GND on the U6 (which could mean just the ground in the USB cable is needed if the power supply is already connected to that same ground). Also note that you never want 2 supplies connected directly to each other without any mechanism to prevent one supply from back-feeding the other.

1) The simplest way to use an alternate supply is connecting it to hole 1 of the USB connector holes, instead of the supply from the USB host. Or if using a USB cable, cut the red wire inside the cable and connect your positive supply lead to that (also might need a connection of the negative supply lead to the black wire but don't cut it). You can also connect an external supply to VS/GND screw-terminals (after cutting the red wire in the USB cable), but it is preferable to bring the supply in through the USB connector.

2) If D48 and C114 are not populated, do so. D48 is a 5 volt TVS SOD-523 (ESD5Z5.0T1G) and C114 is a 0.1uF 0603 cap (Digikey 587-1245). Move R30 to R131. R30/R131 is a 1206 package resistor. The factory value is 0.1 ohms for the purpose of measuring current, but you can also use a 0 ohm resistor or any type of short. Removing R30 disconnects the 5 volts from the USB cable, and installing R131 connects the 5 volts from P5 (optional screw terminals) or J5 (optional pin header).

3) Replace R30 and R131 with Schottky diodes (SMA package) to provide ORing. Install D48 (5 volt TVS SOD-523, ESD5Z5.0T1G) and C114 (0.1uF 0603 cap, Digikey 587-1245). This allows USB or Vext to provide power (whichever is higher wins). The downside is that you lose perhaps 0.3 volts across the input diodes, so VS might be a little low (see Supply Voltage specification note in [Appendix A](#)).

## Parts

There are many options for the parts that can be installed on these OEM boards, but here are some typical parts available at [Digikey.com](http://Digikey.com):

Screw-Terminals (4-pole, 5mm): [Weidmuller 9993300000](#), [Phoenix MKDS 1.5/4](#).

DB15 (0.318", female): [Norcomp 182-015-213R531](#).

DB37 (0.318", female): [Norcomp 182-037-213R531](#).

Pin Headers (0.1"): 2x3 => [Molex 0010897062](#), 2x8 => [Molex 0010897162](#), 2x20 => [Molex 0010897402](#).

USB (Type B): [FCI 61729-0010BLE](#), [TE Connectivity 292304-2](#), [Samtec USBR-B-S-S-O-TH](#) (high retention).





## OEM-Friendly Installers

### OEM-friendly Software Installers (Windows)

To make deploying OEM LabJacks alongside LabJack software easier, there are two options:

- Call the LabJack [Basic Installer](#) silently from your own installer
- Use the [Example LabJack Installer](#) to create your own installer

**File Attachment:**

-  [U6-OEM-J23U-S The "standard" OEM build](#)
-  [U6-OEM-J23U-C1 OEM build with shielded headers](#)
-  [U6\\_2\\_0 Component Locator Diagram.pdf](#)
-  [U6-OEM-J23U-C2 OEM build with headers on bottomsides](#)

## 3 - Operation [U6 Datasheet]

[Log in](#) or [register](#) to post comments

### Operation Overview

The following sections discuss command/response mode and stream mode.

Command/response mode is where communication is initiated by a command from the host which is followed by a response from the LabJack. Command/response is generally used at 1000 scans/second or slower and is generally simpler than stream mode. [See Section 3.1 for details about command/response data rates.](#)

Stream mode is a continuous hardware-timed input mode where a list of channels is scanned at a specified scan rate. The scan rate specifies the interval between the beginning of each scan. The samples within each scan are acquired as fast as possible. As samples are collected automatically by the LabJack, they are placed in a buffer on the LabJack, until retrieved by the host. Stream mode is generally used at 10 scans/second or faster. Stream mode is not supported on the hi-res converter (resolutions 9-12 not supported in stream). [See Section 3.2 for details about stream data rates](#)

Command/response mode is generally best for minimum-latency applications such as feedback control. By latency here we mean the time from when a reading is acquired to when it is available in the host software. A reading or group of readings can be acquired in times on the order of a millisecond.

Stream mode is generally best for maximum-throughput applications where latency is not so important. Data is acquired very fast, but to sustain the fast rates it must be buffered and moved from the LabJack to the host in large chunks. For example, a typical stream application might set up the LabJack to acquire a single analog input at 50,000 samples/second. The LabJack moves this data to the host in chunks of 25 samples each. The Windows UD driver moves data from the USB host memory to the UD driver memory in chunks of 2000 samples. The user application might read data from the UD driver memory once a second in a chunk of 50,000 samples. The computer has no problem retrieving, processing, and storing, 50k samples once per second, but it could not do that with a single sample 50k times per second.

The U6 supports 1 active stream at 1 scan rate. Command-response calls can be used while a stream is active to read/write almost everything except analog inputs (which includes the internal temperature sensor), as stream mode takes over the analog input system.

## 3.1 - Command/Response [U6 Datasheet]

[Log in](#) or [register](#) to post comments

Everything besides streaming is accomplished in command/response mode (CR), meaning that all communication is initiated by a command from the host which is followed by a response from the U6. The low-level *Feedback* function is the primary UD function used in CR activities and is limited to 64-bytes per data packet (command and response). CR commands requiring more than 64 bytes will result in multiple CR packets between the host and the U6. Table 3.1.1 lists typical measured execution times for various tasks (no analog IO), using CR mode, assuming a single CR data exchange (< 64 bytes).

**Table 3.1.1.** Typical communication overhead for typical U6/host connections.

	USB high-high	USB other
	[ms]	[ms]
No I/O	0.60	4.00
Read All DI	0.68	4.08
Write All DO	0.68	4.08
Write Both DACs	0.72	4.12

### Testing Procedure and Definitions:

The times in table 3.1.1 were measured using the example program "allio.c" (VC6\_LJUD) or similar (Firmware 1.43, LJUD 3.45). The program executes a loop 1000 times and divides the total time by 1000. The resulting round-trip communication time includes Windows latency, UD driver overhead, communication time, and U6 processing time.

A "USB high-high" configuration applies to setups where the U6 is connected to a high-speed USB2 hub which is then connected to a high-speed USB2 host. The U6 is not a high-speed USB device. However, placing a high-speed USB2 hub between the U6 and host will improve communication performance.

A "USB other" configuration applies to setups where the U6 is connected directly to the USB host (your PC) or if the U6 is connected to an old full-speed hub (hard to find). Connecting the U6 directly to a high-speed USB2 port on your PC does not constitute a "USB high-high" connection. Performance times shown in the "USB Other" column apply to all direct connections between the U6 and host.

### Preemptive Operating Systems and Thread Priority:

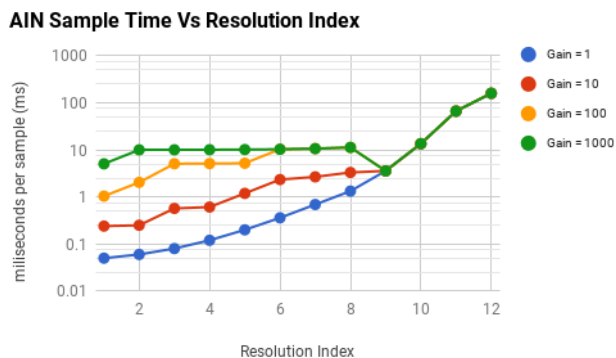
It is important to understand that Linux, Mac, and Windows are generally "best-effort" operating systems and not "real-time", meaning that the listed CR speeds can vary based on each individual computer, the hardware inside of it, its currently enabled peripherals, current network traffic, design of the application software, other running software, and many more variables [1].

**ADC Conversions:**

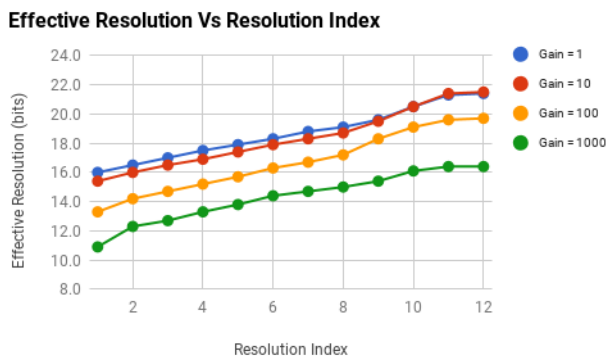
Analog to digital conversions (ADC) will increase the command response time depending on the number of channels, input gain, and resolution index being used. Table 3.1.2 lists the conversion times for the U6 at various gains and resolution index settings, reading a single analog input channel. The total command response time (CRT) when reading analog inputs is equal to the overhead time from tables 3.1.1 added to the conversion times from Table 3.1.2 (per channel being read) . Please review table 3.1.1 and 3.1.2 carefully, as the listed times will determine the maximum sampling rate achievable when reading analog inputs in command response mode.

$$\text{CRT (milliseconds)} = \text{overhead} + (\#\text{AINs} * \text{AIN Sample Time})$$

**Table 3.1.2.** Effective resolution and sampling times for various gains and resolution index settings. Resolution index settings 9-12 apply to the U6-Pro only.



**Figure 3.1.3.** Analog input effective resolution over various gains and resolution index settings.



**Figure 3.1.4.** Analog input LSB voltage over various gains and resolution index settings.

Resolution Index	Effective Resolution [bits]	Effective Resolution [μV]	AIN Sample Time [ms/sample]
<b>Gain/Range: 1±10V</b>			
1	16.0	316	0.05
2	16.5	223	0.06
3	17.0	158	0.08
4	17.5	112	0.12
5	17.9	85	0.20
6	18.3	64	0.36
7	18.8	45	0.69
8	19.1	37	1.33
9	19.6	26	3.58
10	20.5	14	13.5
11	21.3	8.0	66.5
12	21.4	7.5	159
<b>Gain/Range: 10±1V</b>			
1	15.4	48	0.24
2	16.0	32	0.25
3	16.5	22	0.57
4	16.9	17	0.61
6	17.9	8.5	2.34
8	18.7	4.9	3.31
9	19.0	4.0	4.0
10	20.5	1.4	13.5
11	21.4	0.7	66.5
12	21.5	0.7	159
<b>Gain/Range: 100±0.1V</b>			
1	13.3	21	1.04
2	14.2	11	2.04
3	14.7	7.8	5.08
4	15.2	5.5	5.12
5	15.7	3.9	5.20
6	16.3	2.6	10.3
7	16.7	1.9	10.6
8	17.2	1.4	11.3
9	17.9	0.9	11.3
10	19.1	0.4	13.5
11	19.6	0.3	66.5
12	19.7	0.2	159

LSB Voltage Vs Resolution Index

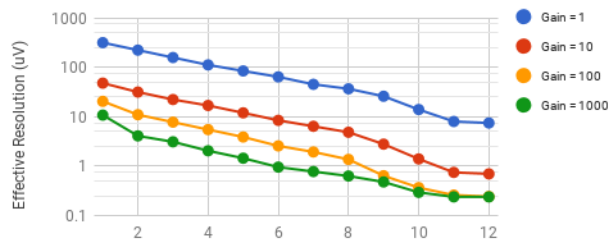


Figure 3.1.6. AIN sample times for analog inputs over various gains resolution index settings.

**Estimating Command/Response Times**

The following examples demonstrate how to estimate the CRT for single and multiple command/response data sets.

Example 1 - Read four analog inputs at G=x100 and Res=1 with a "USB Other" connection:

The expected overhead for a USB Other configuration is 4.0 ms (Table 3.1.1) and the sampling time at the specified gain and resolution is 1.04ms (Table 3.1.2). The CRT is then:

$$CRT = 4.0ms + (4 \times 1.04ms) = 8.16ms$$

Example 2 - Read four analog inputs at G=x100 and Res=1 and set both DACs with a "USB Other" connection:

The given configuration is the same as Example 1 with the additional writes to the two DACs. Table 3.1.1 lists the DAC read as 4.12 ms which includes all overhead. The CRT is:

$$CRT = 4.12ms + (4 \times 1.04ms) = 8.28ms$$

Example 3 - Read 16 analog inputs at G=x100 and Res=1 with a "USB high-high" connection:

The overhead and analog sample time for the given configuration is 0.60ms and 1.04 ms, respectively. Unlike the previous examples, reading 16 analog channels requires multiple CR data exchanges. The Feedback function can transmit/receive up to 64 bytes for a command and response packet. Handshaking data accounts for a small portion of the data packet and thus command packets are limited to 57 bytes and response packets to 55 bytes for data (see Section 5.2.5). Analog reads use the AIN24 low-level IO type which requires 4 command bytes and 3 response bytes (see section 5.2.5.2). With this in mind, the maximum number of analog reads that will fit into a single CR command packet is 14, limited by command bytes (14 x 4 < 57). The resulting CR transmissions will therefore consist of two separate transmissions: one 14 channel read followed by a two channel read. The CRT is calculated as:

$$CRT = (0.60ms + (14 \times 1.04ms)) + (0.60 + (2 \times 1.04ms)) = 17.3ms$$

**Notes:**

1. Various software issues need consideration when implementing a feedback loop that executes at the desired time interval. Some considerations are: thread priority, logging to file, updating the screen, and other programs running on the machine.

## 3.2 - Stream Mode [U6 Datasheet]

[Log in](#) or [register](#) to post comments

### Stream Mode Overview

The fastest data rates on the U6 occur when operating in stream mode. Much of the command response overhead is eliminated in stream mode because the U6 is responsible for initiating IO operations. Collected data is stored in the U6's stream buffer it is retrieved by the host application. The end result is a continuous data stream, sampled at regular intervals, collected with a minimum number of command response data sets [1].

As samples are collected, they are placed in a small FIFO buffer on the U6, until retrieved by the host. The buffer typically holds 984 samples, but the size ranges from 512 to 984 depending on the number of samples per packet. Each data packet has various measures to ensure the integrity and completeness of the data received by the host.

The U6 uses a feature called auto-recovery. If the buffer overflows, the U6 will continue streaming but discard data until the buffer is emptied, and then data will be stored in the buffer again. The U6 keeps track of how many packets are discarded and reports that value. Based on the number of packets discarded, the UD driver adds the proper number of dummy samples (-9999.0) such that the correct timing is maintained.

Table 3.2.1 and 3.2.2 provide typical stream-related performance results[2]. The tabulated data is useful for determining what types of signals can be analyzed using a U6. The U6 is capable of streaming analog data [3] at regular discrete intervals. As a result, various discrete time signal analysis tools can be utilized to interpret data.

**Table 3.2.1.** Stream scan rates for stream mode over various gain, resolution index, channel count combinations.

	Gain : Range	Maximum Scan Rate			
		1 Channel [Hz]	2 Channels [Hz]	4 Channels [Hz]	8 Channels [Hz]
<b>Resolution Index = 1</b>	1 : ±10V	50k	25.0k	12.5K	6.3K
	10 : ±1V	50k	2.2k	1.1k	540
	100 : ±0.1V	50k	444	222	110
	1000 : ±0.01V	50k	178	88	44
<b>Resolution Index = 2</b>	1 : ±10V	30k	14.5k	7.3k	3.6k
	10 : ±1V	30k	2.0k	1.0k	500
	100 : ±0.1V	30k	220	110	54
	1000 : ±0.01V	30k	178	88	44
<b>Resolution Index = 3</b>	1 : ±10V	16k	7.8k	3.9k	2.0k
	10 : ±1V	16k	817	408	204
	100 : ±0.1V	16k	175	87	43
	1000 : ±0.01V	16k	175	86	43
<b>Resolution Index = 4</b>	1 : ±10V	8.4k	4.2k	2.0k	990
	10 : ±1V	8.4k	742	371	185
	100 : ±0.1V	8.4k	165	85	41
	1000 : ±0.01V	8.4k	172	84	42
<b>Resolution Index = 5</b>	1 : ±10V	4.0k	2.0k	1.0k	500
	10 : ±1V	4.0k	370	185	92
	100 : ±0.1V	4.0k	163	82	40
	1000 : ±0.01V	4.0k	165	82	40
<b>Resolution Index = 6</b>	1 : ±10V	2.0k	1.0k	500	250
	10 : ±1V	2.0k	184	92	46
	100 : ±0.1V	2.0k	153	77	38
	1000 : ±0.01V	2.0k	153	76	38
<b>Resolution Index = 7</b>	1 : ±10V	1.0k	500	250	130
	10 : ±1V	1.0k	156	78	39
	100 : ±0.1V	1.0k	133	66	33
	1000 : ±0.01V	1.0k	133	66	33
<b>Resolution Index = 8</b>	1 : ±10V	500	250	130	62
	10 : ±1V	500	120	62	33
	100 : ±0.1V	500	105	52	26
	1000 : ±0.01V	500	106	53	26

A distinction between the terms scan and sample must be drawn to better interpret the data from Table 3.2.1. A sample and a scan represent two separate parameters which make up a U6 data stream. The definitions for each parameter are as follows:

**Sample** - A reading from one channel/address.

**Scan** - One reading from a list of channels/addresses (scan list).

The scan rate, by definition, is a fraction of the sample rate where the fraction is the inverse of the number of channels being read in a single scan. The scan rate is defined as:

$$\text{ScanRate} = \text{SampleRate} / \text{NumChannels}$$

The U6 has a **maximum sample rate** of 50 samples/second. The stated maximum sample rate is achievable when a stream is configured with Range = +/- 10V and ResolutionIndex = 0 or 1 [4]. This is reflected in the first row of data in table 3.2.1 (highlighted). The reported scan rate is simply the maximum sample rate divided by the number of channels in the scan list (within ~10%). Note that the sample rate and scan rate for a single-channel stream are equal since the NumAddresses = 1.

The maximum scan rate will decrease at higher resolution index and range settings simply because analog conversions take longer to complete. Table 3.2.2 illustrates how analog conversion times increase at higher resolution index and range settings.

**Table 3.2.2.** Stream performance characteristics for single-channel stream over various gain and resolution index combinations.



Resolution Index	Peak-to-Peak Noise [16-bit counts]	Interchannel Delay [ $\mu$ s]
<b>Gain/Range: 1/±10V</b>		
1	±3.0	15
2	±2.5	30
3	±1.5	40
4	±1.0	110
5	±1.0	220
6	±0.5	440
7	±0.5	875
8	±0.5	1,740
<b>Gain/Range: 10/±1V</b>		
1	±4.5	205
2	±3.5	220
3	±2.5	545
4	±1.5	600
5	±1.0	1,210
6	±1.0	2,430
7	±0.5	2,880
8	±0.5	3,740
<b>Gain/Range: 100/±0.1V</b>		
1	±16.0	1,010
2	±11.0	2,030
3	±8.0	2,560
4	±5.0	2,630
5	±3.0	2,730
6	±2.5	2,940
7	±1.5	3,380
8	±1.0	4,240
<b>Gain/Range: 1000/±0.01V</b>		
1	±67.0	2,500
2	±42.5	2,535
3	±21.5	2,560
4	±16.5	2,630
5	±11.5	2,730
6	±11.0	2,940
7	±6.0	3,380
8	±4.5	4,240

**Notes:**

1. The number of command response data sets used to retrieve stream data from the U6 depends on the number of data points allowed to accumulate in the U6's stream buffer.
2. Some systems might require a "USB high-high" configuration to obtain the maximum speeds listed. A "USB high-high" configuration means the U6 is connected to a high-speed USB2 hub which is then connected to a high-speed USB2 host. Even though the U6 is not a high-speed USB device, such a configuration does often provide improved performance.
3. Channel 14 is not stream-able. The readings from the internal temperature sensor(channel 14) need extended settling time and this takes too long for stream-mode.
4. Stream mode only supports resolution index values 0-8 (24-bit ADC not supported). Therefore, setting the resolution index to 0 is equivalent to resolution index = 1.

## 3.2.1 - Streaming Digital Inputs, Timers, and Counters [U6 Datasheet]

[Log in](#) or [register](#) to post comments

There are special channel numbers that allow digital inputs, timers, and counters, to be streamed in with analog input data. Note that you must always have at least 1 AIN channel in the stream list for the U6.

**Table 3.2.1-1.** Special Stream Channels

Channel #	
193	EIO_FIO
194	MIO_CIO
200	Timer0
201	Timer1
202	Timer2
203	Timer3
210	Counter0
211	Counter1
224	TC_Capture
230	Timer0 with reset
231	Timer1 with reset
232	Timer2 with reset
233	Timer3 with reset
240	Counter0 with reset
241	Counter1 with reset

### Special Channels:

**193:** Returns the input states of 16 bits of digital I/O. FIO is the lower 8 bits and EIO is the upper 8 bits.

**194:** Returns the input states of 16 bits of digital I/O. CIO is the lower 8 bits and MIO is the upper 8 bits.

**200-203 and 210-211:** Retrieves the least significant word (LSW, lower 2 bytes) of the specified timer/counter. At the same time that any one of these is sampled, the most significant word (MSW, upper 2 bytes) of that particular timer/counter is stored in an internal capture register (TC\_Capture), so that the proper value can be sampled later in the scan. For any timer/counter where the MSW is wanted, channel number 224 must be sampled after that channel and before any other timer/counter channel. For example, a scan list of {200,224,201,224} would get the LSW of Timer0, the MSW of Timer0, the LSW of Timer1, and the MSW of Timer1. A scan list of {200,201,224} would get the LSW of Timer0, the LSW of Timer1, and the MSW of Timer1 (MSW of Timer0 is lost).

**230-233 and 240-241:** These channels perform the same operation as their 200-211 counterpart above, then reset the timer or counter.

Adding these special channels to the stream scan list does not configure those inputs. If any of the FIO or EIO lines have been configured as outputs, timers, counter, or analog inputs, a channel 193 read will still be performed without error but the values from those bits should be ignored. The timers/counters (200-224) must be configured before streaming using normal timer/counter configuration commands.

The timing for these special channels is the same as for normal analog channels. For instance, a stream of the scan list {0,1,200,224,201,224} counts as 6 channels, and the maximum scan rate is determined by taking the maximum sample rate at the specified resolution and dividing by 6. There must always be at least 1 analog input in the stream scan list.

It is not recommended to stream timers configured in mode 2 or 3 (32-bit period measurement). It is possible for the LSW to roll, but the MSW be captured before it is incremented. That means that only the LSW is reliable, and thus you might as well just use the 16-bit modes.

Mode 11, the upper 32 bits of the system timer, is not available for stream reads. Note that when streaming on the U6, the timing is known anyway (elapsed time = scan rate \* scan number) and it does not make sense to stream the system timer modes 10 or 11.

### Command-Response

These special channel numbers can be used in command-response also. In command response they will return 32-bit values and thus the capture channel (224) is not used. This is useful in a program set up to do command-response reads of analog inputs only, such as LJLogUD.

## 4 - LabJackUD High-Level Driver [U6 Datasheet]

[Log in](#) or [register](#) to post comments

### Overview

LabJackUD is the high-level Windows driver for the U3, U6 and UE9. LabJackUD is also referred to as UD and LJUD.

For Linux or Mac OS X, use the [Exodriver](#).

The low-level U6 functions are described in [Section 5](#), but most Windows applications will use the LabJackUD driver instead.

## UD Overview Page - Installation Details (Referencable)

### Installation Details

The UD library is supported on Windows XP and newer. [The archived 3.06 version](#) supports Windows 98, ME, and 2000.

Please [install the software](#) before making a USB connection to a LabJack.

The download version of the installer consists of a single executable. This installer places the driver (LabJackUD.dll) in the Windows System directory, along with a support DLL (LabJackWUSB.dll). Generally this is:

- Windows 98/ME:
  - C:\Windows\System\
- Windows 2000/XP and 32-bit Windows Vista/7/8/10:
  - C:\Windows\System32\
- 64-bit Windows Vista/7/8/10:
  - C:\Windows\System32\ (64-bit drivers)
  - C:\Windows\SysWOW64\ (32-bit drivers)

Other files, including the header and Visual C library file, are installed to the LabJack drivers directory. Defaults are:

- 32-bit Windows:
  - C:\Program Files\LabJack\Drivers\
- 64-bit Windows:
  - C:\Program Files (x86)\LabJack\Drivers\

## 4.1 - Overview [U6 Datasheet]

[Log in](#) or [register](#) to post comments

### Quick Overview

The UD driver has just a handful of functions, and those functions all have the same 4-6 parameters.

#### Functions

The main functions are used to build a list of requests (Add), execute the list (Go), and read the result of each request (Get). Some functions (e.g. eGet) combine Add-Go-Get into a single function call.

#### Parameters

The parameters are described at the bottom of the Overview page. Usually the meaning of each parameter should be apparent (e.g. Channel is the channel number you are operating on), but when it is not the applicable pseudocode section (4.3) should have any extra information that is needed.

- Handle: Always the handle.
- IOType: Always the IOType.
- Channel: If something besides a channel number the pseudocode section will tell you.
- Value: Always the value.
- X1: Usually not used, but if used the pseudocode section will tell you.
- UserData: Usually not used, but if used the pseudocode section will tell you.

### Extended Overview

The LabJackUD driver is the Windows driver/library for the U6, and also the U3 and UE9. LabJackUD is also referred to as UD and LJUD.

For other LabJack devices, go to the [Software](#) page.

To download, see: [UD Installer](#).

The general operation of the LabJackUD functions is as follows:

- Open a LabJack U6, U3 or UE9.
- Build a list of requests to perform (Add).
- Execute the list (Go).
- Read the result of each request (Get).

At the core, the UD driver only has 4 basic functions: Open, AddRequest, Go, and GetResult. Then with these few functions, there are many constants used to specify the desired actions. When programming in any language, it is recommended to have the header file handy, so that constants can be copied and pasted into the code.

The first type of constant is an IOType, which is always passed in the IOType parameter of a function call. One example of an IOType is the constant `LJ_ioPUT_DAC`, which is used to update the value of an analog output (DAC).

The second type of constant is a Channel Constant, also called a Special Channel. These constants are always passed in the Channel parameter of a function call. For the most part, these are used when a request is not specific to a particular channel, and go with the configuration IOTypes (`LJ_ioPUT_CONFIG` or `LJ_ioGET_CONFIG`). One example of a Special Channel is the constant `LJ_chLOCALID`, which is used to write or read the local ID of the device.

The third major type of constant used by the UD driver is a Value Constant. These constants are always passed in the Value parameter of a function call. One example of a Value Constant is the constant `LJ_tmPWM8`, which specifies a timer mode. This constant has a numeric value of 1, which could be passed

instead, but using the constant `LJ_tmPWM8` makes for programming code that is easier to read.

Following is pseudocode that performs various actions. First, a call is done to open the device. The primary work done with this call is finding the desired device and creating a handle that points to the device for further function calls. In addition, opening the device performs various configuration and initialization actions, such as reading the calibration constants from the device:

```
//Use the following line to open the first found LabJack U6
//over USB and get a handle to the device.
//The general form of the open function is:
//OpenLabJack (DeviceType, ConnectionType, Address, FirstFound, *Handle)

//Open the first found LabJack U6 over USB.
IngErrorcode = OpenLabJack (LJ_dtU6, LJ_ctUSB, "1", TRUE, &IngHandle);
```

Second, a list of requests is built in the UD driver using `AddRequest` calls. This does not involve any low-level communication with the device, and thus the execution time is relatively instantaneous:

```
//Request that DAC0 be set to 2.5 volts.
//The general form of the AddRequest function is:
//AddRequest (Handle, IOType, Channel, Value, x1, UserData)
IngErrorcode = AddRequest (IngHandle, LJ_ioPUT_DAC, 0, 2.50, 0, 0);

//Request a single-ended read from AIN3.
IngErrorcode = AddRequest (IngHandle, LJ_ioGET_AIN, 3, 0, 0, 0);
```

Third, the list of requests is processed and executed using a `Go` call. In this step, the driver determines which low-level commands must be executed to process all the requests, calls those low-level functions, and stores the results. This example consists of two requests, one analog input read and one analog output write, which can both be handled in a single low-level `Feedback` call ([Section 5.2.5](#)):

```
//Execute the requests.
IngErrorcode = GoOne (IngHandle);
```

Finally, `GetResult` calls are used to retrieve the results (errorcodes and values) that were stored by the driver during the `Go` call. This does not involve any low-level communication with the device, and thus the execution time is relatively instantaneous:

```
//Get the result of the DAC0 request just to check for an errorcode.
//The general form of the GetResult function is:
//GetResult (Handle, IOType, Channel, *Value)
IngErrorcode = GetResult (IngHandle, LJ_ioPUT_DAC, 0, 0);

//Get the AIN3 voltage. We pass the address to dblValue and the
//voltage will be returned in that variable.
IngErrorcode = GetResult (IngHandle, LJ_ioGET_AIN, 3, &dblValue);
```

The `AddRequest/Go/GetResult` method is often the most efficient. As shown above, multiple requests can be executed with a single `Go()` or `GoOne()` call, and the driver might be able to optimize the requests into fewer low-level calls. The other option is to use the `eGet` or `ePut` functions which combine the `AddRequest/Go/GetResult` into one call. The above code would then look like (assuming the U6 is already open):

```
//Set DAC0 to 2.5 volts.
//The general form of the ePut function is:
//ePut (Handle, IOType, Channel, Value, x1)
IngErrorcode = ePut (IngHandle, LJ_ioPUT_DAC, 0, 2.50, 0);

//Read AIN3.
//The general form of the eGet function is:
//eGet (Handle, IOType, Channel, *Value, x1)
IngErrorcode = eGet (IngHandle, LJ_ioGET_AIN, 3, &dblValue, 0);
```

In the case of the U6, the first example using `add/go/get` handles both the `DAC` command and `AIN` read in a single low-level call, while in the second example using `ePut/eGet` two low-level commands are used. Examples in the following documentation will use both the `add/go/get` method and the `ePut/eGet` method, and they are generally interchangeable. See [Section 4.3](#) for more pseudocode examples.

All the request and result functions always have 4 common parameters, and some of the functions have 2 extra parameters:

- **Handle** – This is an input to all request/result functions that tells the function what LabJack it is talking to. The handle is obtained from the `OpenLabJack` function.
- **IOType** – This is an input to all request/result functions that specifies what type of action is being done.
- **Channel** – This is an input to all request/result functions that generally specifies which channel of I/O is being written/read, although with the config IOTypes special constants are passed for channel to specify what is being configured.
- **Value** – This is an input or output to all request/result functions that is used to write or read the value for the item being operated on.
- **x1** – This parameter is only used in some of the request/result functions, and is used when extra information is needed for certain IOTypes. If this parameter has meaning for an IOType that will be pointed out in the pseudocode sections of this datasheet.
- **UserData** – This parameter is only used in some of the request/result functions, and is data that is simply passed along with the request, and returned unmodified by the result. Can be used to store any sort of information with the request, to allow a generic parser to determine what should be done when the results are received. If this parameter has meaning for an IOType that will be pointed out in the pseudocode sections of this datasheet.

## 4.1.1 - Function Flexibility [U6 Datasheet]

[Log in or register](#) to post comments

The driver is designed to be flexible so that it can work with various different LabJacks with different capabilities. It is also designed to work with different development platforms with different capabilities. For this reason, many of the functions are repeated with different forms of parameters, although their internal functionality remains mostly the same. In this documentation, a group of functions will often be referred to by their shortest name. For example, a reference to `Add` or `AddRequest` most likely refers to any of the three variations: `AddRequest()`, `AddRequestS()` or `AddRequestSS()`.

In the sample code, alternate functions (S or SS versions) can generally be substituted as desired, changing the parameter types accordingly. All samples here are written in pseudo-C.

Functions with an "S" or "SS" appended are provided for programming languages that can't include the LabJackUD.h file and therefore can't use the constants included. It is generally poor programming form to hardcode numbers into function calls, if for no other reason than it is hard to read. Functions with a single "S" replace the IOType parameter with a const char \* which is a string. A string can then be passed with the name of the desired constant. Functions with a double "SS" replace both the IOType and Channel with strings. OpenLabJackS replaces both DeviceType and ConnectionType with strings since both take constants.

For example:

In C, where the LabJackUD.h file can be included and the constants used directly:

```
AddRequest(Handle, LJ_ioGET_CONFIG, LJ_chHARDWARE_VERSION,0,0,0);
```

The bad way (hard to read) when LabJackUD.h cannot be included:

```
AddRequest(Handle, 1001, 10, 0, 0, 0);
```

The better way when LabJackUD.h cannot be included, is to pass strings:

```
AddRequestSS(Handle, "LJ_ioGET_CONFIG", "LJ_chHARDWARE_VERSION",0,0,0);
```

Continuing on this vein, the function StringToConstant() is useful for error handling routines, or with the GetFirst/Next functions which do not take strings. The StringToConstant() function takes a string and returns the numeric constant. So, for example:

```
LJ_ERROR err;
err = AddRequestSS(Handle, "LJ_ioGET_CONFIG", "LJ_chHARDWARE_VERSION",0,0,0);
if (err == StringToConstant("LJE_INVALID_DEVICE_TYPE"))
    do some error handling..
```

Once again, this is much clearer than:

```
if (err == 2)
```

## 4.1.2 - Multi-Threaded Operation [U6 Datasheet]

[Log in](#) or [register](#) to post comments

This driver is completely thread safe. With some very minor exceptions, all these functions can be called from multiple threads at the same time and the driver will keep everything straight. Because of this Add, Go, and Get must be called from the same thread for a particular set of requests/results. Internally the list of requests and results are split by thread. This allows multiple threads to be used to make requests without accidentally getting data from one thread into another. If requests are added, and then results return LJE\_NO\_DATA\_AVAILABLE or a similar error, chances are the requests and results are in different threads.

The driver tracks which thread a request is made in by the thread ID. If a thread is killed and then a new one is created, it is possible for the new thread to have the same ID. Its not really a problem if Add is called first, but if Get is called on a new thread results could be returned from the thread that already ended.

As mentioned, the list of requests and results is kept on a thread-by-thread basis. Since the driver cannot tell when a thread has ended, the results are kept in memory for that thread regardless. This is not a problem in general as the driver will clean it all up when unloaded. When it can be a problem is in situations where threads are created and destroyed continuously. This will result in the slow consumption of memory as requests on old threads are left behind. Since each request only uses at most 64 bytes, and as mentioned, the ID's will eventually get recycled, it will not be a huge memory loss. In general, even without this issue, it is strongly recommended to not create and destroy a lot of threads. It is terribly slow and inefficient. Use thread pools and other techniques to keep new thread creation to a minimum. That is what is done internally.

The one big exception to the thread safety of this driver is in the use of the Windows TerminateThread() function. As is warned in the MSDN documentation, using TerminateThread() will kill the thread without releasing any resources, and more importantly, releasing any synchronization objects. If TerminateThread() is used on a thread that is currently in the middle of a call to this driver, more than likely a synchronization object will be left open on the particular device and access to the device will be impossible until the application is restarted. On some devices, it can be worse. On devices that have interprocess synchronization, such as the U12, calling TerminateThread() may kill all access to the device through this driver no matter which process is using it and even if the application is restarted. Avoid using TerminateThread()! All device calls have a timeout, which defaults to 1 second, but can be changed. Make sure to wait at least as long as the timeout for the driver to finish.

## 4.2 - Function Reference [U6 Datasheet]

[Log in](#) or [register](#) to post comments

### Function Reference Overview

The LabJack driver file is named LabJackUD.dll, and contains the functions described in this section.

Some parameters are common to many functions:

\* **LJ\_ERROR** – A LabJack specific numeric errorcode. 0 means no error. (long, signed 32-bit integer).

\* **LJ\_HANDLE** – This value is returned by OpenLabJack, and then passed on to other functions to identify the opened LabJack. (long, signed 32-bit integer).

To maintain compatibility with as many languages as possible, every attempt has been made to keep the parameter types very basic. Also, many functions have multiple prototypes. The declarations that follow, are written in C.

To help those unfamiliar with strings in C, these functions expect null terminated 8 bit ASCII strings. How this translates to a particular development environment is beyond the scope of this documentation. A const char \* is a pointer to a string that won't be changed by the driver. Usually this means it can simply be a constant such as "this is a string". A char \* is a pointer to a string that will be changed. Enough bytes must be preallocated to hold the possible strings that will be returned. Functions with char \* in their declaration will have the required length of the buffer documented below.

Pointers must be initialized in general, although null (0) can be passed for unused or unneeded values. The pointers for GetStreamData and RawIn/RawOut requests are not optional. Arrays and char \* type strings must be initialized to the proper size before passing to the DLL.

## 4.2.1 - ListAll() [U6 Datasheet]

[Log in](#) or [register](#) to post comments

Returns all the devices found of a given DeviceType and ConnectionType. Searching over Ethernet relies on the DiscoveryUDP function ([Section 5.2.3](#)), which might not work on certain network configurations.

ListAllS() is a special version where DeviceType and ConnectionType are strings rather than longs. This is useful for passing string constants in languages that cannot include the header file. The strings should contain the constant name as indicated in the header file (such as "LJ\_dtUE9" and "LJ\_ctUSB"). The declaration for the S version of open is the same as below except for (const char \*pDeviceType, const char \*pConnectionType, ...).

Declaration:

```
LJ_ERROR_stdcall ListAll ( long DeviceType,
                          long ConnectionType,
                          long *pNumFound,
                          long *pSerialNumbers,
                          long *pIDs,
                          double *pAddresses)
```

Parameter Description:

Returns: LabJack errorcodes or 0 for no error.

Inputs:

- **DeviceType** – The type of LabJack to search for. LJ\_dtUE9 (9), LJ\_dtU3 (3), or LJ\_dtU6 (6). For other LabJack devices, see [What driver/library should I use with my LabJack?](#)
- **ConnectionType** – Enter the constant for the type of connection to use in the search. LJ\_ctUSB (1) or LJ\_ctETHERNET (2) (UE9 only).
- **pSerialNumbers** – Must pass a pointer to a buffer with at least 128 elements.
- **pIDs** – Must pass a pointer to a buffer with at least 128 elements.
- **pAddresses** – Must pass a pointer to a buffer with at least 128 elements.

Outputs:

- **pNumFound** – Returns the number of devices found, and thus the number of valid elements in the return arrays.
- **pSerialNumbers** – Array contains serial numbers of any found devices.
- **pIDs** – Array contains local IDs of any found devices.
- **pAddresses** – Array contains IP addresses of any found devices. The function DoubleToStringAddress() is useful to convert these to string notation.

## 4.2.2 - OpenLabJack() [U6 Datasheet]

[Log in](#) or [register](#) to post comments

Call OpenLabJack() before communicating with a device. This function can be called multiple times, however, once a LabJack is open, it remains open until your application ends (or the DLL is unloaded). If OpenLabJack is called repeatedly with the same parameters, thus requesting the same type of connection to the same LabJack, the driver will simply return the same LJ\_HANDLE every time. Internally, nothing else happens. This includes when the device is reset, or disconnected. Once the device is reconnected, the driver will maintain the same handle. If an open call is made for USB, and then Ethernet, a different handle will be returned for each connection type and both connections will be open.

OpenLabJackS() is a special version of open where DeviceType and ConnectionType are strings rather than longs. This is useful for passing string constants in languages that cannot include the header file. The strings should contain the constant name as indicated in the header file (such as "LJ\_dtUE9" and "LJ\_ctUSB"). The declaration for the S version of open is the same as below except for (const char \*pDeviceType, const char \*pConnectionType, ...).

Declaration:

```
LJ_ERROR_stdcall OpenLabJack ( long DeviceType,
                              long ConnectionType,
                              const char *pAddress,
                              long FirstFound,
                              LJ_HANDLE *pHandle)
```

Parameter Description:

Returns: LabJack errorcodes or 0 for no error.

Inputs:

- **DeviceType** – The type of LabJack to open. LJ\_dtUE9 (9), LJ\_dtU3 (3), or LJ\_dtU6 (6). For other LabJack devices, see [What driver/library should I use with my LabJack?](#)
- **ConnectionType** – Enter the constant for the type of connection. LJ\_ctUSB (1) or LJ\_ctETHERNET (2) (UE9 only).

- **pAddress** – For USB, pass the local ID or serial number of the desired LabJack. For Ethernet pass the IP address of the desired LabJack. If FirstFound is true, Address is ignored.
- **FirstFound** – If true, then the Address and ConnectionType parameters are ignored and the driver opens the first LabJack found with the specified DeviceType. Generally only recommended when a single LabJack is connected. Currently only supported with USB. If a USB device is not found, it will try Ethernet but with the given Address.

Outputs:

- **pHandle** – A pointer to a handle for a LabJack.

## 4.2.3 - eGet() and ePut() [U6 Datasheet]

[Log in](#) or [register](#) to post comments

The eGet and ePut functions do AddRequest, Go, and GetResult, in one step.

The eGet versions are designed for inputs or retrieving parameters as they take a pointer to a double where the result is placed, but can be used for outputs if pValue is preset to the desired value. This is also useful for things like StreamRead where a value is input and output (number of scans requested and number of scans returned).

The ePut versions are designed for outputs or setting configuration parameters and will not return anything except the errorcode.

eGetPtr() is a 32-bit and 64-bit pointer-address-safe version of the eGet function where the x1 parameter is a void \*. This is required when passing a pointer safely to x1. When passing a non-pointer long value to x1, use the normal version of the function. The declaration for the Ptr version is the same as the normal version except for (... , void \*x1).

eGetS() and ePutS() are special versions of these functions where IOType is a string rather than a long. This is useful for passing string constants in languages that cannot include the header file, and is generally used with all IOTypes except put/get config. The string should contain the constant name as indicated in the header file (such as "LJ\_ioANALOG\_INPUT"). The declarations for the S versions are the same as the normal versions except for (... , const char \*pIOType, ...).

eGetSS() and ePutSS() are special versions of these functions where IOType and Channel are strings rather than longs. This is useful for passing string constants in languages that cannot include the header file, and is generally only used with the put/get config IOTypes. The strings should contain the constant name as indicated in the header file (such as "LJ\_ioPUT\_CONFIG" and "LJ\_chLOCALID"). The declaration for the SS versions are the same as the normal versions except for (... , const char \*pIOType, const char \*pChannel, ...).

The declaration for ePut is the same as eGet except that Value is not a pointer (... , double Value, ...), and thus is an input only.

Declaration:

```
LJ_ERROR _stdcall eGet ( LJ_HANDLE Handle,
                        long IOType,
                        long Channel,
                        double *pValue,
                        long x1)
```

Parameter Description:

Returns: LabJack errorcodes or 0 for no error.

Inputs:

- **Handle** – Handle returned by OpenLabJack().
- **IOType** – The type of request. See Section 4.3 ([UE9](#), [U6](#), [U3](#)) of your device's user guide.
- **Channel** – The channel number of the particular IOType.
- **pValue** – Pointer to Value sends and receives data.
- **x1** – Optional parameter used by some IOTypes.

Outputs:

- **pValue** – Pointer to Value sends and receives data.

Declaration:

```
LJ_ERROR _stdcall ePut ( LJ_HANDLE Handle,
                        long IOType,
                        long Channel,
                        double Value,
                        long x1)
```

Parameter Description:

Returns: LabJack errorcodes or 0 for no error.

Inputs:

- **Handle** – Handle returned by OpenLabJack().
- **IOType** – The type of request. See Section 4.3 ([UE9](#), [U6](#), [U3](#)) of your device's user guide.
- **Channel** – The channel number of the particular IOType.
- **Value** – The value to set.
- **x1** – Optional parameter used by some IOTypes.

Outputs:

- **None**

## 4.2.4 - eAddGoGet() [U6 Datasheet]

[Log in](#) or [register](#) to post comments

This function passes multiple requests via arrays, then executes a GoOne() and returns all the results via the same arrays.

The parameters that start with “\*a” are arrays, and all must be initialized with at least a number of elements equal to NumRequests.

#### Declaration:

```
LJ_ERROR_stdcall eAddGoGet ( LJ_HANDLE Handle,
    long NumRequests,
    long *aIOTypes,
    long *aChannels,
    double *aValues,
    long *ax1s,
    long *aRequestErrors,
    long *GoError,
    long *aResultErrors)
```

#### Parameter Description:

Returns: LabJack errorcodes or 0 for no error.

Inputs:

- **Handle** – Handle returned by OpenLabJack().
- **NumRequests** – This is the number of requests that will be made, and thus the number of results that will be returned. All the arrays must be initialized with at least this many elements.
- **aIOTypes** – An array which is the list of IOTypes.
- **aChannels** – An array which is the list of Channels.
- **aValues** – An array which is the list of Values to write.
- **ax1s** – An array which is the list of x1s.

Outputs:

- **aValues** – An array which is the list of Values read.
- **aRequestErrors** – An array which is the list of errorcodes from each AddRequest().
- **GoError** – The errorcode returned by the GoOne() call.
- **aResultErrors** – An array which is the list of errorcodes from each GetResult().

## 4.2.5 - AddRequest() [U6 Datasheet]

[Log in](#) or [register](#) to post comments

Adds an item to the list of requests to be performed on the next call to Go() or GoOne().

When AddRequest() is called on a particular Handle after a Go() or GoOne() call, all data from previous requests is lost and cannot be retrieved by any of the Get functions until a Go function is called again. This is on a device by device basis, so you can call AddRequest() with a different handle while a device is busy performing its I/O.

AddRequest() only clears the request and result lists on the device handle passed and only for the current thread. For example, if a request is added to each of two different devices, and then a new request is added to the first device but not the second, a call to Go() will cause the first device to execute the new request and the second device to execute the original request.

In general, the execution order of a list of requests in a single Go call is unpredictable, except that all configuration type requests are executed before acquisition and output type requests.

AddRequestPtr() is a 32-bit and 64-bit pointer-address-safe version of the Add function where the x1 parameter is a void \*. This is required when passing a pointer safely to x1. When passing a non-pointer long value to x1, use the normal AddRequest() function. The declaration for the Ptr version of Add is the same as below except for (... , void \*x1, ...).

AddRequestS() is a special version of the Add function where IOType is a string rather than a long. This is useful for passing string constants in languages that cannot include the header file, and is generally used with all IOTypes except put/get config. The string should contain the constant name as indicated in the header file (such as “LJ\_ioANALOG\_INPUT”). The declaration for the S version of Add is the same as below except for (... , const char \*pIOType, ...).

AddRequestSS() is a special version of the Add function where IOType and Channel are strings rather than longs. This is useful for passing string constants in languages that cannot include the header file, and is generally only used with the put/get config IOTypes. The strings should contain the constant name as indicated in the header file (such as “LJ\_ioPUT\_CONFIG” and “LJ\_chLOCALID”). The declaration for the SS version of Add is the same as below except for (... , const char \*pIOType, const char \*pChannel, ...).

#### Declaration:

```
LJ_ERROR_stdcall AddRequest ( LJ_HANDLE Handle,
    long IOType,
    long Channel,
    double Value,
    long x1,
    double UserData)
```

#### Parameter Description:

Returns: LabJack errorcodes or 0 for no error.

Inputs:

- **Handle** – Handle returned by OpenLabJack().
- **IOType** – The type of request. See Section 4.3 ([UE9](#), [U6](#), [U3](#)) of your device’s user guide.
- **Channel** – The channel number of the particular IOType.
- **Value** – Value passed for output channels.



- **x1** – Optional parameter used by some IOTypes.
- **UserData** – Data that is simply passed along with the request, and returned unmodified by GetFirstResult() or GetNextResult(). Can be used to store any sort of information with the request, to allow a generic parser to determine what should be done when the results are received.

Outputs:

- **None**

## 4.2.6 - Go() [U6 Datasheet]

[Log in](#) or [register](#) to post comments

After using AddRequest() to make an internal list of requests to perform, call Go() to actually perform the requests. This function causes all requests on all open LabJacks to be performed. After calling Go(), call GetResult() or similar to retrieve any returned data or errors.

Go() can be called repeatedly to repeat the current list of requests. Go() does not clear the list of requests. Rather, after a call to Go(), the first subsequent AddRequest() call to a particular device will clear the previous list of requests on that particular device only.

Note that for a single Go() or GoOne() call, the order of execution of the request list cannot be predicted. Since the driver does internal optimization, it is quite likely not the same as the order of AddRequest() function calls. One thing that is known, is that configuration settings like ranges, stream settings, and such, will be done before the actual acquisition or setting of outputs.

Declaration:

LJ\_ERROR \_stdcall Go()

Parameter Description:

Returns: LabJack errorcodes or 0 for no error.

Inputs:

- **None**

Outputs:

- **None**

## 4.2.7 - GoOne() [U6 Datasheet]

[Log in](#) or [register](#) to post comments

After using AddRequest() to make an internal list of requests to perform, call GoOne() to actually perform the requests. This function causes all requests on one particular LabJack to be performed. After calling GoOne(), call GetResult() or similar to retrieve any returned data or errors.

GoOne() can be called repeatedly to repeat the current list of requests. GoOne() does not clear the list of requests. Rather, after a particular device has performed a GoOne(), the first subsequent AddRequest() call to that device will clear the previous list of requests on that particular device only.

Note that for a single Go() or GoOne() call, the order of execution of the request list cannot be predicted. Since the driver does internal optimization, it is quite likely not the same as the order of AddRequest() function calls. One thing that is known, is that configuration settings like ranges, stream settings, and such, will be done before the actual acquisition or setting of outputs.

Declaration:

LJ\_ERROR \_stdcall GoOne( LJ\_HANDLE Handle )

Parameter Description:

Returns: LabJack errorcodes or 0 for no error.

Inputs:

- **Handle** – Handle returned by OpenLabJack().

Outputs:

- **None**

## 4.2.8 - GetResult() [U6 Datasheet]

[Log in](#) or [register](#) to post comments

Calling either Go function creates a list of results that matches the list of requests. Use GetResult() to read the result and errorcode for a particular IOType and Channel. Normally this function is called for each associated AddRequest() item. Even if the request was an output, the errorcode should be evaluated.

None of the Get functions will clear results from the list. The first AddRequest() call subsequent to a Go call will clear the internal lists of requests and results for a particular device.

When processing raw in/out or stream data requests, the call to a Get function does not actually cause the data arrays to be filled. The arrays are filled during the Go call (if data is available), and the Get call is used to find out many elements were placed in the array.

GetResultS() is a special version of the Get function where IOType is a string rather than a long. This is useful for passing string constants in languages that cannot include the header file, and is generally used with all IOTypes except put/get config. The string should contain the constant name as indicated in the header file (such as "LJ\_ioANALOG\_INPUT"). The declaration for the S version of Get is the same as below except for (... , const char \*pIOType, ...).

GetResultSS() is a special version of the Get function where IOType and Channel are strings rather than longs. This is useful for passing string constants in languages that cannot include the header file, and is generally only used with the put/get config IOTypes. The strings should contain the constant name as indicated in the header file (such as "LJ\_ioPUT\_CONFIG" and "LJ\_chLOCALID"). The declaration for the SS version of Get is the same as below except for (... , const char \*pIOType, const char \*pChannel, ...).

It is acceptable to pass NULL (or 0) for any pointer that is not required.

Declaration:

```
LJ_ERROR_stdcall GetResult ( LJ_HANDLE Handle,
                             long IOType,
                             long Channel,
                             double *pValue)
```

Parameter Description:

Returns: LabJack errorcodes or 0 for no error.

Inputs:

- **Handle** – Handle returned by OpenLabJack().
- **IOType** – The type of request. See Section 4.3 ([UE9](#), [U6](#), [U3](#)) of your device's user guide.
- **Channel** – The channel number of the particular IOType.

Outputs:

- **pValue** – A pointer to the result value.

## 4.2.9 - GetFirstResult() and GetNextResult() [U6 Datasheet]

[Log in](#) or [register](#) to post comments

Calling either Go function creates a list of results that matches the list of requests. Use GetFirstResult() and GetNextResult() to step through the list of results in order. When either function returns LJE\_NO\_MORE\_DATA\_AVAILABLE, there are no more items in the list of results. Items can be read more than once by calling GetFirstResult() to move back to the beginning of the list.

UserData is provided for tracking information, or whatever else the user might need.

None of the Get functions clear results from the list. The first AddRequest() call subsequent to a Go call will clear the internal lists of requests and results for a particular device.

When processing raw in/out or stream data requests, the call to a Get function does not actually cause the data arrays to be filled. The arrays are filled during the Go call (if data is available), and the Get call is used to find out many elements were placed in the array.

It is acceptable to pass NULL (or 0) for any pointer that is not required.

The parameter lists are the same for the GetFirstResult() and GetNextResult() declarations.

Declaration:

```
LJ_ERROR_stdcall GetFirstResult ( LJ_HANDLE Handle,
                                 long *pIOType,
                                 long *pChannel,
                                 double *pValue,
                                 long *px1,
                                 double *pUserData)
```

Parameter Description:

Returns: LabJack errorcodes or 0 for no error.

Inputs:

- **Handle** – Handle returned by OpenLabJack().

Outputs:

- **pIOType** – A pointer to the IOType of this item in the list.
- **pChannel** – A pointer to the channel number of this item in the list.
- **pValue** – A pointer to the result value.
- **px1** – A pointer to the x1 parameter of this item in the list.
- **pUserData** – A pointer to data that is simply passed along with the request, and returned unmodified. Can be used to store any sort of information with the request, to allow a generic parser to determine what should be done when the results are received.

## 4.2.10 - DoubleToStringAddress() [U6 Datasheet]

[Log in](#) or [register](#) to post comments

Some special-channels of the config IOType pass IP address (and others) in a double. This function is used to convert the double into a string in normal decimal-dot or hex-dot notation.

Declaration:

```
LJ_ERROR_stdcall DoubleToStringAddress ( double Number,
                                         char *pString,
                                         long HexDot)
```

Parameter Description:

Returns: LabJack errorcodes or 0 for no error.

Inputs:

- **Number** – Double precision number to be converted.
- **pString** – Must pass a buffer for the string of at least 24 bytes.
- **HexDot** – If not equal to zero, the string will be in hex-dot notation rather than decimal-dot.

Outputs:

- **pString** – A pointer to the string representation.

## 4.2.11 - StringToDoubleAddress() [U6 Datasheet]

[Log in](#) or [register](#) to post comments

Some special-channels of the config IOType pass IP address (and others) in a double. This function is used to convert a string in normal decimal-dot or hex-dot notation into a double.

Declaration:

```
LJ_ERROR_stdcall StringToDoubleAddress ( const char *pString,
                                         double *pNumber,
                                         long HexDot)
```

Parameter Description:

Returns: LabJack errorcodes or 0 for no error.

Inputs:

- **pString** – A pointer to the string representation.
- **HexDot** – If not equal to zero, the passed string should be in hex-dot notation rather than decimal-dot.

Outputs:

- **pNumber** – A pointer to the double precision representation.

## 4.2.12 - StringToConstant() [U6 Datasheet]

[Log in](#) or [register](#) to post comments

Converts the given string to the appropriate constant number. Used internally by the S functions, but could be useful to the end user when using the GetFirst/Next functions without the ability to include the header file. In this case a comparison could be done on the return values such as:

```
if (IOType == StringToConstant("LJ_ioANALOG_INPUT"))
```

This function returns *LJ\_INVALID\_CONSTANT* if the string is not recognized.

Declaration:

```
long_stdcall StringToConstant ( const char *pString )
```

Parameter Description:

Returns: Constant number of the passed string.

Inputs:

- **pString** – A pointer to the string representation of the constant.

Outputs:

- **None**

## 4.2.13 - ErrorToString() [U6 Datasheet]

[Log in](#) or [register](#) to post comments

Outputs a string describing the given error code or an empty string if not found.

Declaration:

```
void_stdcall ErrorToString ( LJ_ERROR ErrorCode,
                           char *pString)
```

Parameter Description:

Returns: LabJack errorcodes or 0 for no error.

Inputs:

- **ErrorCode** – LabJack errorcode.
- **pString** – Must pass a buffer for the string of at least 256 bytes.

Outputs:

- **\*pString** – A pointer to the string representation of the errorcode.

## 4.2.14 - GetDriverVersion() [U6 Datasheet]

[Log in](#) or [register](#) to post comments

Returns the version number of this Windows LabJack driver.

Declaration:

```
double _stdcall GetDriverVersion();
```

Parameter Description:

Returns: Driver version.

Inputs:

- **None**

Outputs:

- **None**

## 4.2.15 - TCVoltsToTemp() [U6 Datasheet]

[Log in](#) or [register](#) to post comments

A utility function to convert thermocouple voltage readings to temperature.

Declaration:

```
LJ_ERROR _stdcall TCVoltsToTemp ( long TCTYPE,
                                double TCVolts,
                                double CJTempK,
                                double *pTCTempK)
```

Parameter Description:

Returns: LabJack errorcodes or 0 for no error.

Inputs:

- **TCTYPE** – A constant that specifies the thermocouple type: LJ\_ttB, LJ\_ttE, LJ\_ttJ, LJ\_ttK, LJ\_ttN, LJ\_ttR, LJ\_ttS, or LJ\_ttT.
- **TCVolts** – The thermocouple voltage.
- **CJTempK** – The temperature of the cold junction in degrees K.

Outputs:

- **pTCTempK** – Returns the calculated thermocouple temperature.

## 4.2.16 - ResetLabJack() [U6 Datasheet]

[Log in](#) or [register](#) to post comments

Sends a reset command to the LabJack hardware. Reset causes the device to go to the reset/power-up configuration.

Resetting the LabJack does not invalidate the handle, thus the device does not have to be opened again after a reset, but a Go call is likely to fail for a couple seconds after until the LabJack is ready.

Declaration:

```
LJ_ERROR _stdcall ResetLabJack ( LJ_HANDLE Handle );
```

Parameter Description:

Returns: LabJack errorcodes or 0 for no error.

Inputs:

- **Handle** – Handle returned by OpenLabJack().

Outputs:

- **None**

## 4.2.17 - eAIN() [U6 Datasheet]

[Log in](#) or [register](#) to post comments

An easy function that returns a reading from one analog input. This is a simple alternative to the very flexible IOType based method normally used by this driver.

When needed, this function automatically configures the specified channel(s) for analog input.

Declaration:

```
LJ_ERROR _stdcall eAIN ( LJ_HANDLE Handle,
                       long ChannelP,
```

```

long ChannelN,
double *Voltage,
long Range,
long Resolution,
long Settling,
long Binary,
long Reserved1,
long Reserved2)

```

Parameter Description:

Returns: LabJack errorcodes or 0 for no error.

Inputs:

- **Handle** – Handle returned by OpenLabJack().
- **ChannelIP** – The positive AIN channel to acquire. See [Section 2.6.1](#).
- **ChannelIN** – The negative AIN channel to acquire. For differential readings on the U6, this should be an odd number equal to ChannelP+1. For single-ended readings on the U6, this parameter should be 0 or 15.
- **Range** – Pass a range constant. See [Section 4.3.3](#).
- **Resolution** – Pass a resolution index. 0=default, 1-8=high-speed ADC, 9-12=high-res ADC. See [Section 3.1](#) and [Appendix B](#).
- **Settling** – Pass a settling factor. 0-9 where 0=Auto. See the end of [Section 2.6](#).
- **Binary** – If this is nonzero (True), the Voltage parameter will return the raw binary value.
- **Reserved (1&2)** – Pass 0.

Outputs:

- **Voltage** – Returns the analog input reading, which is generally a voltage.

## 4.2.18 - eDAC() [U6 Datasheet]

[Log in](#) or [register](#) to post comments

An easy function that writes a value to one analog output. This is a simple alternative to the very flexible IOType based method normally used by this driver.

When needed, this function automatically enables the specified analog output.

Declaration:

```

LJ_ERROR _stdcall eDAC ( LJ_HANDLE Handle,
    long Channel,
    double Voltage,
    long Binary,
    long Reserved1,
    long Reserved2)

```

Parameter Description:

Returns: LabJack errorcodes or 0 for no error.

Inputs:

- **Handle** – Handle returned by OpenLabJack().
- **Channel** – The analog output channel to write to.
- **Voltage** – The voltage to write to the analog output.
- **Binary** – If this is nonzero (True), the value passed for Voltage should be binary. For example, pass 32768.0 in the double parameter for mid-scale output.
- **Reserved (1&2)** – Pass 0.

## 4.2.19 - eDI() [U6 Datasheet]

[Log in](#) or [register](#) to post comments

An easy function that reads the state of one digital input. This is a simple alternative to the very flexible IOType based method normally used by this driver.

When needed, this function automatically configures the specified channel as a digital input.

Declaration:

```

LJ_ERROR _stdcall eDI ( LJ_HANDLE Handle,
    long Channel,
    long *State)

```

Parameter Description:

Returns: LabJack errorcodes or 0 for no error.

Inputs:

- **Handle** – Handle returned by OpenLabJack().
- **Channel** – The channel to read. 0-19 corresponds to FIO0-CIO3.

Outputs:

- **State** – Returns the state of the digital input. 0=False=Low and 1=True=High.

## 4.2.20 - eDO() [U6 Datasheet]

[Log in](#) or [register](#) to post comments

An easy function that writes the state of one digital output. This is a simple alternative to the very flexible IOType based method normally used by this driver.

When needed, this function automatically configures the specified channel as a digital output.

Declaration:

```
LJ_ERROR _stdcall eDO ( LJ_HANDLE Handle,
                      long Channel,
                      long State)
```

Parameter Description:

Returns: LabJack errorcodes or 0 for no error.

Inputs:

- **Handle** – Handle returned by OpenLabJack().
- **Channel** – The channel to write to. 0-19 corresponds to FIO0-CIO3.
- **State** – The state to write to the digital output. 0=False=Low and 1=True=High.

## 4.2.21 - eTCCConfig() [U6 Datasheet]

[Log in](#) or [register](#) to post comments

An easy function that configures and initializes all the timers and counters. This is a simple alternative to the very flexible IOType based method normally used by this driver.

When needed, this function automatically configures the needed lines as digital.

Declaration:

```
LJ_ERROR _stdcall eTCCConfig ( LJ_HANDLE Handle,
                              long *aEnableTimers,
                              long *aEnableCounters,
                              long TCPinOffset,
                              long TimerClockBaseIndex,
                              long TimerClockDivisor,
                              long *aTimerModes,
                              double *aTimerValues,
                              long Reserved1,
                              long Reserved2)
```

Parameter Description:

Returns: LabJack errorcodes or 0 for no error.

Inputs:

- **Handle** – Handle returned by OpenLabJack().
- **aEnableTimers** – An array where each element specifies whether that timer is enabled. Timers must be enabled in order starting from 0, so for instance, Timer0 and Timer2 cannot be enabled without enabling Timer1 also. A nonzero value for an array element specifies to enable that timer. Array size must be equal to the number of timers available on the device.<sup>1</sup>
- **aEnableCounters** – An array where each element specifies whether that counter is enabled. Counters do not have to be enabled in order starting from 0, so Counter1 can be enabled when Counter0 is disabled. A nonzero value for an array element specifies to enable that counter. Array size must be equal to the number of counters available on the device.<sup>2</sup>
- **TCPinOffset** – Value specifies where to start assigning timers and counters.<sup>3</sup>
- **TimerClockBaseIndex** – Pass a constant to set the timer base clock. The default is device specific<sup>4</sup>
- **TimerClockDivisor** – Pass a divisor from 0-255 where 0 is a divisor of 256.
- **aTimerModes** – An array where each element is a constant specifying the mode for that timer. Array size must be equal to the number of timers available on the device.<sup>1</sup>
- **aTimerValues** – An array where each element is specifies the initial value for that timer. Array size must be equal to the number of timers available on the device.<sup>1</sup>
- **Reserved (1&2)** – Pass 0.

<sup>1</sup> Number of timers UE9:6, U6:4, U3:2

<sup>2</sup> Number of counters UE9:2, U6:2, U3:2

<sup>3</sup> Pin offset UE9:Ignored, U6:0-8, U3:4-8

<sup>4</sup> Default constant UE9:LJ\_tc750KHZ, U6:LJ\_tc48MHZ, U3:LJ\_tc48MHZ

## 4.2.22 - eTCValues() [U6 Datasheet]

[Log in](#) or [register](#) to post comments

An easy function that updates and reads all the timers and counters. This is a simple alternative to the very flexible IOType based method normally used by this driver.

Declaration:

```
LJ_ERROR _stdcall eTCValues ( LJ_HANDLE Handle,
                              long *aReadTimers,
                              long *aUpdateResetTimers,
                              long *aReadCounters,
                              long *aResetCounters,
```

```
double *aTimerValues,
double *aCounterValues,
long Reserved1,
long Reserved2)
```

#### Parameter Description:

Returns: LabJack errorcodes or 0 for no error.

Inputs:

- **Handle** – Handle returned by OpenLabJack().
- **aReadTimers** – An array where each element specifies whether to read that timer. A nonzero value for an array element specifies to read that timer.<sup>1</sup>
- **aUpdateResetTimers** – An array where each element specifies whether to update/reset that timer. A nonzero value for an array element specifies to update/reset that timer.<sup>1</sup>
- **aReadCounters** – An array where each element specifies whether to read that counter. A nonzero value for an array element specifies to read that counter.<sup>2</sup>
- **aResetCounters** – An array where each element specifies whether to reset that counter. A nonzero value for an array element specifies to reset that counter.<sup>2</sup>
- **aTimerValues** – An array where each element is the new value for that timer. Each value is only updated if the appropriate element is set in the aUpdateResetTimers array.<sup>1</sup>
- **Reserved (1&2)** – Pass 0.

Outputs:

- **aTimerValues** – An array where each element is the value read from that timer if the appropriate element is set in the aReadTimers array.
- **aCounterValues** – An array where each element is the value read from that counter if the appropriate element is set in the aReadCounters array.

<sup>1</sup> Array size must be equal to the number of timers available on the device. UE9:6, U6:4, U3:2

<sup>2</sup> Array size must be equal to the number of counters available on the device. UE9:2, U6:2, U3:2

## 4.3 - Example Pseudocode [U6 Datasheet]

[Log in](#) or [register](#) to post comments

### Example Pseudocode Overview

The following pseudocode examples are simplified for clarity, and in particular no error checking is shown. The language used for the pseudocode is C.

#### 4.3.1 - Open [U6 Datasheet]

[Log in](#) or [register](#) to post comments

The initial step is to open the LabJack and get a handle that the driver uses for further interaction. The DeviceType for the U6 is:

```
LJ_dtU6
```

There is only one valid ConnectionType for the U6:

```
LJ_ctUSB
```

Following is example pseudocode to open a U6 overUSB:

```
//Open the first found LabJack U6 over USB.
OpenLabJack (LJ_dtU6, LJ_ctUSB, "1", TRUE, &IngHandle);
```

The reason for the quotes around the address ("1"), is because the address parameter is a string in the OpenLabJack function.

The ampersand (&) in front of IngHandle is a C notation that means we are passing the address of that variable, rather than the value of that variable. In the definition of the OpenLabJack function, the handle parameter is defined with an asterisk (\*) in front, meaning that the function expects a pointer, i.e. an address.

In general, a function parameter is passed as a pointer (address) rather than a value, when the parameter might need to output something. The parameter value passed to a function in C cannot be modified in the function, but the parameter can be an address that points to a value that can be changed. Pointers are also used when passing arrays, as rather than actually passing the array, an address to the first element in the array is passed.

Talking to multiple devices from a single application is no problem. Make multiple open calls to get a handle to each device and be sure to set FirstFound=FALSE:

```
//Open U6s with Local ID #2 and #3.
OpenLabJack (LJ_dtU6, LJ_ctUSB, "2", FALSE, &IngHandleA);
OpenLabJack (LJ_dtU6, LJ_ctUSB, "3", FALSE, &IngHandleB);
```

... then when making further calls use the handle for the desired device.

#### 4.3.2 - Configuration [U6 Datasheet]

[Log in](#) or [register](#) to post comments

There are two IOTypes used to write or read general U6 configuration parameters:

```
LJ_ioPUT_CONFIG
LJ_ioGET_CONFIG
```

The following constants are then used in the channel parameter of the config function call to specify what is being written or read:

```
LJ_chLOCALID
LJ_chHARDWARE_VERSION
LJ_chSERIAL_NUMBER
LJ_chFIRMWARE_VERSION
LJ_chBOOTLOADER_VERSION
LJ_chPRODUCTID
LJ_chLED_STATE
LJ_chU6_PRO
```

Following is example pseudocode to write and read the local ID:

```
//Set the local ID to 4.
ePut (IngHandle, LJ_ioPUT_CONFIG, LJ_chLOCALID, 4, 0);

//Read the local ID.
eGet (IngHandle, LJ_ioGET_CONFIG, LJ_chLOCALID, &dblValue, 0);
```

The following can be used to reset the configuration of the timers & counters:

```
LJ_ioPIN_CONFIGURATION_RESET
```

Currently there is no IOType for configuring all the power-up default settings. However, using low-level functionality you can.

To configure the U6 power-up default settings, first configure your I/O to the power-up default settings you want. This includes [Analog Outputs](#), [Digital I/O](#) and [Timers & Counters](#) settings.

Then use the [Raw Output/Input](#) functionality to send/receive (LJ\_ioRAW\_OUT/LJ\_ioRAW\_IN) the low-level [SetDefaults](#) command/response. SetDefaults causes the current or last used U6 configuration to be stored in flash as the power-up defaults.

## 4.3.3 - Analog Inputs [U6 Datasheet]

[Log in](#) or [register](#) to post comments

The IOTypes to retrieve a command/response analog input reading are:

```
LJ_ioGET_AIN //Single-ended. Negative channel is fixed as 0/15/199.
LJ_ioGET_AIN_DIFF //Specify negative channel in x1.
```

Differential channels are adjacent even/odd pairs only, such as AIN2-AIN3. Thus the positive channel must be even and the negative channel must be +1. The Windows UD driver has different IOTypes for single-ended or differential reads, but the differential IOType can always be used as a negative channel (x1 parameter) of 0/15/199 equates to a single-ended reading. When using a Mux80 the even/odd channel pairing no longer applies, please refer to the "Using Differential Analog Inputs with the MUX80" section on the [Mux80 datasheet](#) page for additional details.

The following are IOTypes used to configure the input range of a particular analog input channel:

```
LJ_ioPUT_AIN_RANGE // Range and Gain are synonymous
```

In addition to specifying the channel number, the following range (i.e. gain) constants are passed in the value parameter when doing a request with the AIN range IOType:

```
LJ_rgBIP10V // +/- 10V, i.e. Gain=x1
LJ_rgBIP1V // +/- 1V, i.e. Gain=x10
LJ_rgBIPP1V // +/- 0.1V, i.e. Gain=x100
LJ_rgBIPP01V // +/- 0.01V, i.e. Gain=x1000
```

The following are special channels, used with the get/put config IOTypes, to configure parameters that apply to all analog inputs:

```
LJ_chAIN_RESOLUTION //0=default, 1-8=high-speed ADC, 9-12=high-res ADC
LJ_chAIN_SETTLING_TIME //0-9 where 0=Auto, see Section 5.2.5.2
LJ_chAIN_BINARY
```

Following is example pseudocode to read analog inputs:

```
//Configure all analog inputs for max resolution. Like most
//settings, this will apply to all further measurements until
//the parameter is changed or the DLL unloaded.
AddRequest (IngHandle, LJ_ioPUT_CONFIG, LJ_chAIN_RESOLUTION, 12, 0, 0);
```

```
//Configure AIN1 for +/- 10 volt range.
AddRequest (IngHandle, LJ_ioPUT_AIN_RANGE, 1, LJ_rgBIP10V, 0, 0);
```

```
//Configure AIN2 for +/- 1 volt range. This applies to any
```



```

//reading, single-ended or differential, where the positive
//channel is AIN2.
AddRequest (IngHandle, LJ_ioPUT_AIN_RANGE, 2, LJ_rgBIP1V, 0, 0);

//Request a single-ended read from AIN1.
AddRequest (IngHandle, LJ_ioGET_AIN, 1, 0, 0, 0);

//Request a differential read of AIN2-AIN3.
AddRequest (IngHandle, LJ_ioGET_AIN_DIFF, 2, 0, 3, 0);

//Request a single-ended read of AIN2. Here we use the DIFF
//IOType, but pass x1=199 which does a single-ended measurement.
AddRequest (IngHandle, LJ_ioGET_AIN_DIFF, 2, 0, 199, 0);

//Execute the requests.
GoOne (IngHandle);

//Since multiple requests were made with the same IOType
//and Channel, and only x1 was different, GetFirst/GetNext
//must be used to retrieve the results. The simple
//GetResult function does not use the x1 parameter and
//thus there is no way to specify which result is desired.
//Rather than specifying the IOType and Channel of the
//result to be read, the GetFirst/GetNext functions retrieve
//the results in order. Normally, GetFirst/GetNext are best
//used in a loop, but here they are simply called in succession.

//Retrieve AIN1 voltage. GetFirstResult returns the IOType,
//Channel, Value, x1, and UserData from the first request.
//In this example we are just retrieving the results in order
//and Value is the only parameter we need.
GetFirstResult (IngHandle, 0, 0, &dblValue, 0, 0);

//Get the AIN2-AIN3 voltage.
GetNextResult (IngHandle, 0, 0, &dblValue, 0, 0);

//Get the AIN2.
GetNextResult (IngHandle, 0, 0, &dblValue, 0, 0);

```

## 4.3.4 - Analog Outputs [U6 Datasheet]

[Log in](#) or [register](#) to post comments

The IOType to set the voltage on an analog output is:

```
LJ_ioPUT_DAC
```

The following is a special channel, used with the get/put config IOTypes, to configure a parameter that applies to allDACs:

```
LJ_chDAC_BINARY //If set nonzero put_dac values should be 0-65535.
```

Following is example pseudocode to set DAC0 to 2.5 volts:

```

//Set DAC0 to 2.5 volts.
ePut (IngHandle, LJ_ioPUT_DAC, 0, 2.50, 0);

```

## 4.3.5 - Digital I/O [U6 Datasheet]

[Log in](#) or [register](#) to post comments

There are eight IOTypes used to write or read digital I/O information:

```

LJ_ioGET_DIGITAL_BIT //Also sets direction to input.
LJ_ioGET_DIGITAL_BIT_DIR
LJ_ioGET_DIGITAL_BIT_STATE
LJ_ioGET_DIGITAL_PORT //Also sets directions to input. x1 is number of bits.
LJ_ioGET_DIGITAL_PORT_DIR //x1 is number of bits.
LJ_ioGET_DIGITAL_PORT_STATE //x1 is number of bits.

LJ_ioPUT_DIGITAL_BIT //Also sets direction to output.
LJ_ioPUT_DIGITAL_PORT //Also sets directions to output. x1 is number of bits.

```

DIR is short for direction. 0=input and 1=output.

The general bit and port IOTypes automatically control direction, but the `_DIR` and `_STATE` ones do not. These can be used to read the current condition of digital I/O without changing the current condition. Note that the `_STATE` reads are actually doing a read using the input circuitry, not reading the state value last written. When you use `LJ_ioGET_DIGITAL_BIT_STATE` or `LJ_ioGET_DIGITAL_PORT_STATE` on a line set to output, it leaves it set as output, but it is doing an actual state read based on the voltage(s) on the pin(s). So if you set a line to output-high, but then something external is driving it low, it might read low.

When a request is done with one of the portIOTypes, the Channel parameter is used to specify the starting bit number, and the x1 parameter is used to specify the number of applicable bits. The bit numbers corresponding to different I/O are:

```

0-7 FIO0-FIO7
8-15 EIO0-EIO7

```

16-19 CIO0-CIO3  
 20-22 MIO0-MIO2 (Use 16-18 to operate on these)

Note that the GetResult function does not have an x1 parameter. That means that if two (or more) port requests are added with the same IOType and Channel, but different x1, the result retrieved by GetResult would be undefined. The GetFirstResult/GetNextResult commands do have the x1 parameter, and thus can handle retrieving responses from multiple port requests with the same IOType and Channel.

Following is example pseudocode for various digital I/O operations:

```
//Request a read from FIO2.
AddRequest (IngHandle, LJ_ioGET_DIGITAL_BIT, 2, 0, 0, 0);

//Request a read from FIO4-EIO5 (10-bits starting
//from digital channel #4).
AddRequest (IngHandle, LJ_ioGET_DIGITAL_PORT, 4, 0, 10, 0);

//Set FIO3 to output-high.
AddRequest (IngHandle, LJ_ioPUT_DIGITAL_BIT, 3, 1, 0, 0);

//Set EIO6-CIO2 (5-bits starting from digital channel #14)
//to b10100 (=d20). That is EIO6=0, EIO7=0, CIO0=1,
//CIO1=0, and CIO2=1.
AddRequest (IngHandle, LJ_ioPUT_DIGITAL_PORT, 14, 20, 5, 0);

//Execute the requests.
GoOne (IngHandle);

//Get the FIO2 read.
GetResult (IngHandle, LJ_ioGET_DIGITAL_BIT, 2, &dblValue);

//Get the FIO4-EIO5 read.
GetResult (IngHandle, LJ_ioGET_DIGITAL_PORT, 4, &dblValue);
```

## 4.3.6 - Timers & Counters [U6 Datasheet]

[Log in](#) or [register](#) to post comments

There are eight IOTypes used to write or read timer and counter information:

```
LJ_ioGET_COUNTER
LJ_ioPUT_COUNTER_ENABLE
LJ_ioGET_COUNTER_ENABLE
LJ_ioPUT_COUNTER_RESET //Sets flag to reset on next read.

LJ_ioGET_TIMER
LJ_ioPUT_TIMER_VALUE
LJ_ioPUT_TIMER_MODE
LJ_ioGET_TIMER_MODE
```

In addition to specifying the channel number, the following mode constants are passed in the value parameter when doing a request with the timer mode IOType:

```
LJ_tmPWM16 //16-bit PWM output
LJ_tmPWM8 //8-bit PWM output
LJ_tmRISINGEDGES32 //Period input (32-bit, rising edges)
LJ_tmFALLINGEDGES32 //Period input (32-bit, falling edges)
LJ_tmDUTYCYCLE //Duty cycle input
LJ_tmFIRMCOUNTER //Firmware counter input
LJ_tmFIRMCOUNTERDEBOUNCE //Firmware counter input (with debounce)
LJ_tmFREQUOT //Frequency output
LJ_tmQUAD //Quadrature input
LJ_tmTIMERSTOP //Timer stop input (odd timers only)
LJ_tmSYSTIMERLOW //System timer low read
LJ_tmSYSTIMERHIGH //System timer high read
LJ_tmRISINGEDGES16 //Period input (16-bit, rising edges)
LJ_tmFALLINGEDGES16 //Period input (16-bit, falling edges)
```

The following are special channels, used with the get/put config IOTypes, to configure a parameter that applies to all timers/counters:

```
LJ_chNUMBER_TIMERS_ENABLED //0-4
LJ_chTIMER_CLOCK_BASE //Set with the constant values below. Gets the low-level value.
LJ_chTIMER_CLOCK_DIVISOR //0-255, where 0=256
LJ_chTIMER_COUNTER_PIN_OFFSET //0-8
```

With the timer clock base special channel above, the following constants are passed in the value parameter to select the frequency:

```
LJ_tc4MHZ //4 MHz clock base
LJ_tc12MHZ //12 MHz clock base
LJ_tc48MHZ //48 MHz clock base
LJ_tc1MHZ_DIV //1 MHz clock base w/ divisor (no Counter0)
LJ_tc4MHZ_DIV //4 MHz clock base w/ divisor (no Counter0)
LJ_tc12MHZ_DIV //12 MHz clock base w/ divisor (no Counter0)
LJ_tc48MHZ_DIV //48 MHz clock base w/ divisor (no Counter0)
LJ_tcSYS //Equivalent to LJ_tc48MHZ
```

Constant values used to set (put) the timer clock base differ from the low-level timer clock base retrieved (get) from the device. Constant value - 20 = low-level value. [Table 2.9-2](#) documents these values.

Following is example pseudocode for configuring various timers and a hardware counter:

```
//First, an add/go/get block to configure the timers and counters.

//Set the pin offset to 0, which causes the timers to start on FIO0.
AddRequest (IngHandle, LJ_ioPUT_CONFIG, LJ_chTIMER_COUNTER_PIN_OFFSET, 0, 0, 0);

//Enable 2 timers. They will use FIO0-FIO1
AddRequest (IngHandle, LJ_ioPUT_CONFIG, LJ_chNUMBER_TIMERS_ENABLED, 2, 0, 0);

//Make sure Counter0 is disabled.
AddRequest (IngHandle, LJ_ioPUT_COUNTER_ENABLE, 0, 0, 0, 0);

//Enable Counter1. It will use the next available line, FIO2.
AddRequest (IngHandle, LJ_ioPUT_COUNTER_ENABLE, 1, 1, 0, 0);

//All output timers use the same timer clock, configured here. The
//base clock is set to 48MHZ_DIV, meaning that the clock divisor
//is supported and Counter0 is not available.
AddRequest (IngHandle, LJ_ioPUT_CONFIG, LJ_chTIMER_CLOCK_BASE, LJ_tc48MHZ_DIV, 0, 0);

//Set the timer clock divisor to 48, creating a 1 MHz timer clock.
AddRequest (IngHandle, LJ_ioPUT_CONFIG, LJ_chTIMER_CLOCK_DIVISOR, 48, 0, 0);

//Configure Timer0 as 8-bit PWM. It will have a frequency
//of 1M/256 = 3906.25 Hz.
AddRequest (IngHandle, LJ_ioPUT_TIMER_MODE, 0, LJ_tmPWM8, 0, 0);

//Initialize the 8-bit PWM with a 50% duty cycle.
AddRequest (IngHandle, LJ_ioPUT_TIMER_VALUE, 0, 32768, 0, 0);

//Configure Timer1 as duty cycle input.
AddRequest (IngHandle, LJ_ioPUT_TIMER_MODE, 1, LJ_tmDUTYCYCLE, 0, 0);

//Execute the requests.
GoOne (IngHandle);
```

The following pseudocode demonstrates reading input timers/counters and updating the values of output timers. The simple ePut/eGet functions are used in the following pseudocode, but some applications might combine the following calls into a single add/go/get block so that a single low-level call is used.

```
//Change Timer0 PWM duty cycle to 25%.
ePut (IngHandle, LJ_ioPUT_TIMER_VALUE, 0, 49152, 0);

//Read duty-cycle from Timer1.
eGet (IngHandle, LJ_ioGET_TIMER, 1, &dblValue, 0);

//The duty cycle read returns a 32-bit value where the
//least significant word (LSW) represents the high time
//and the most significant word (MSW) represents the low
//time. The times returned are the number of cycles of
//the timer clock. In this case the timer clock was set
//to 1 MHz, so each cycle is 1 microsecond.
dblHighCycles = (double)(((unsigned long)dblValue) % (65536));
dblLowCycles = (double)((unsigned long)dblValue) / (65536);
dblDutyCycle = 100 * dblHighCycles / (dblHighCycles + dblLowCycles);
dblHighTime = 0.000001 * dblHighCycles;
dblLowTime = 0.000001 * dblLowCycles;

//Read the count from Counter1. This is an unsigned 32-bit value.
eGet (IngHandle, LJ_ioGET_COUNTER, 1, &dblValue, 0);
```

Following is pseudocode to reset the input timer and the counter:

```
//Reset the duty-cycle measurement (Timer1) to zero, by writing
//a value of zero. The duty-cycle measurement is continuously
//updated, so a reset is normally not needed, but one reason
//to reset to zero is to detect whether there has been a new
//measurement or not.
ePut (IngHandle, LJ_ioPUT_TIMER_VALUE, 1, 0, 0);

//Read & reset Counter1. Note that with the U6 reset is just
//setting a driver flag to reset on the next read, so reset
//is generally combined with a read in an add/go/get block.
//The order of the read & reset within the block does not
//matter ... the read will always happen right before the reset.
AddRequest (IngHandle, LJ_ioGET_COUNTER, 1, 0, 0, 0);
AddRequest (IngHandle, LJ_ioPUT_COUNTER_RESET, 1, 1, 0, 0);
GoOne (IngHandle);
GetResult (IngHandle, LJ_ioGET_COUNTER, 1, &dblValue);
GetResult (IngHandle, LJ_ioPUT_COUNTER_RESET, 1, 0);
```

Note that if a timer/counter is read and reset at the same time (in the same Add/Go/Get block), the read will return the value just before reset.

## 4.3.7 - Stream Mode [U6 Datasheet]

[Log in](#) or [register](#) to post comments

The highest input data rates are obtained in stream mode. The following IOTypes are used to control streaming:

```

LJ_ioCLEAR_STREAM_CHANNELS
LJ_ioADD_STREAM_CHANNEL
LJ_ioADD_STREAM_CHANNEL_DIFF //Put negative channel in x1.
LJ_ioSTART_STREAM //Value returns actual scan rate.
LJ_ioSTOP_STREAM
LJ_ioGET_STREAM_DATA

```

The following constant is passed in the Channel parameter with the get stream data IOType to specify a read returning all scanned channels, rather than retrieving each scanned channel separately:

```
LJ_chALL_CHANNELS //Used with LJ_ioGET_STREAM_DATA.
```

The following are special channels, used with the get/put config IOTypes, to write or read various stream values:

```

LJ_chSTREAM_SCAN_FREQUENCY
LJ_chSTREAM_BUFFER_SIZE //UD driver stream buffer size in samples.
LJ_chSTREAM_WAIT_MODE
LJ_chSTREAM_DISABLE_AUTORECOVERY
LJ_chSTREAM_BACKLOG_COMM //Read-only. 0=0% and 256=100%.
LJ_chSTREAM_BACKLOG_UD //Read-only. Number of samples.
LJ_chSTREAM_SAMPLES_PER_PACKET //Default 25. Range 1-25.
LJ_chSTREAM_READS_PER_SECOND //Default 25.
LJ_chAIN_STREAM_SETTLING_TIME //0=Auto. See Section 5.2.12.

```

STREAM\_SCAN\_FREQUENCY is the desired scan rate in scans/second. This is the rate at which all channels are sampled, and thus the total sample rate is ScanRate \* NumChannels. See [Section 3.2](#) for more information about stream data rates. The actual scan rate can be slightly different due to how the desired scan interval divides into the device clock rate, and this actual scan rate is returned by the call to start the stream. The logic used by the UD driver to set the [low-level scan interval parameters](#) is as follows:

```

if scanrate >= 61.03515625
    if scanrate >= 2 * 366.21652, clock = 48000000
    else clock = 4000000
else
    if scanrate >= 2 * 366.21652 / 256, clock = 48000000 / 256
    else clock = 4000000 / 256

interval = clock / scanrate

```

With the wait mode special channel, the following constants are passed in the value parameter to select the behavior when reading data:

```

LJ_swNONE //No wait. Immediately return available data.
LJ_swALL_OR_NONE //No wait. Immediately return requested amount, or none.
LJ_swPUMP //Advanced message pump wait mode.
LJ_swSLEEP //Wait until requested amount available.

```

The backlog special channels return information about how much data is left in the stream buffer on the U6 or in the UD driver. These parameters are updated whenever a stream packet is read by the driver, and thus might not exactly reflect the current state of the buffers, but can be useful to detect problems.

When streaming, the processor acquires data at precise intervals, and transfers it to a buffer on the U6 itself. The U6 has a small buffer (512-984 samples) for data waiting to be transferred to the host. The *LJ\_chSTREAM\_BACKLOG\_COMM* special channel specifies how much data is left in the U6 buffer (*COMM* and *CONTROL* are the same thing on the U6), where 0 means 0% full and 256 would mean 100% full. The UD driver retrieves stream data from the U6 in the background, but if the computer or communication link is too slow for some reason, the driver might not be able to read the data as fast as the U6 is acquiring it, and thus there will be data left over in the U6 buffer.

To obtain the maximum stream rates documented in Section 3.2, the data must be transferred between host and U6 in large chunks. The amount of data transferred per low-level packet is controlled by *LJ\_chSTREAM\_SAMPLES\_PER\_PACKET*. The driver will use the parameter *LJ\_chSTREAM\_READS\_PER\_SECOND* to determine how many low-level packets to retrieve per read.

The size of the UD stream buffer on the host is controlled by *LJ\_chSTREAM\_BUFFER\_SIZE*. The application software on the host must read data out of the UD stream buffer fast enough to prevent overflow. After each read, use *LJ\_chSTREAM\_BACKLOG\_UD* to determine how many samples are left in the buffer.

Since the data buffer on the U6 is fairly small a feature called auto-recovery is used. If the buffer overflows, the U6 will continue streaming but discard data until the buffer is emptied, and then data will be stored in the buffer again. The U6 keeps track of how many packets are discarded and reports that value. Based on the number of packets discarded, the UD driver adds the proper number of dummy samples (-9999.0) such that the correct timing is maintained. Auto-recovery will generally occur when the U6 buffer is 90-95% full.

In stream mode the LabJack acquires inputs at a fixed interval, controlled by the hardware clock on the device itself, and stores the data in a buffer. The LabJackUD driver automatically reads data from the hardware buffer and stores it in a PC RAM buffer until requested. The general procedure for streaming is:

1. Update configuration parameters.
2. Build the scan list.
3. Start the stream.
4. Periodically retrieve stream data in a loop.
5. Stop the stream.

Following is example pseudocode to configure a 2-channel stream.

```
//Set the scan rate.
AddRequest (IngHandle, LJ_ioPUT_CONFIG, LJ_chSTREAM_SCAN_FREQUENCY, scanRate, 0, 0);

//Give the UD driver a 5 second buffer (scanRate * 2 channels * 5 seconds).
AddRequest (IngHandle, LJ_ioPUT_CONFIG, LJ_chSTREAM_BUFFER_SIZE, scanRate*2*5, 0, 0);

//Configure reads to wait and retrieve the desired amount of data.
AddRequest (IngHandle, LJ_ioPUT_CONFIG, LJ_chSTREAM_WAIT_MODE, LJ_swSLEEP, 0, 0);

//Define the scan list as singled ended AIN2 then differential AIN0-AIN1.
AddRequest (IngHandle, LJ_ioCLEAR_STREAM_CHANNELS, 0, 0, 0, 0);
AddRequest (IngHandle, LJ_ioADD_STREAM_CHANNEL, 2, 0, 0, 0);
AddRequest (IngHandle, LJ_ioADD_STREAM_CHANNEL_DIFF, 0, 0, 1, 0);

//Execute the requests.
GoOne (IngHandle);
```

Next, start the stream:

```
//Start the stream.
eGet(IngHandle, LJ_ioSTART_STREAM, 0, &dblValue, 0);

//The actual scan rate is dependent on how the desired scan rate divides into
//the LabJack clock. The actual scan rate is returned in the value parameter
//from the start stream command.
actualScanRate = dblValue;
actualSampleRate = 2*dblValue;
```

Once a stream is started, the data must be retrieved periodically to prevent the buffer from overflowing. To retrieve data, add a request with IOType *LJ\_ioGET\_STREAM\_DATA*. The Channel parameter should be *LJ\_chALL\_CHANNELS* or a specific channel number (ignored for a single channel stream). The Value parameter should be the number of scans (all channels) or samples (single channel) to retrieve. The x1 parameter should be a pointer to an array that has been initialized to a sufficient size. Keep in mind that the required number of elements if retrieving all channels is number of scans \* number of channels.

Data is stored interleaved across all streaming channels. In other words, if two channels are streaming, 0 and 1, and *LJ\_chALL\_CHANNELS* is the channel number for the read request, the data will be returned as Channel0, Channel1, Channel0, Channel1, etc. Once the data is read it is removed from the internal buffer, and the next read will give new data.

If multiple channels are being streamed, data can be retrieved one channel at a time by passing a specific channel number in the request. In this case the data is not removed from the internal buffer until the last channel in the scan is requested. Reading the data from the last channel (not necessarily all channels) is the trigger that causes the block of data to be removed from the buffer. This means that if three channels are streaming, 0, 1 and 2 (in that order in the scan list), and data is requested from channel 0, then channel 1, then channel 0 again, the request for channel 0 the second time will return the same data as the first request. New data will not be retrieved until after channel 2 is read, since channel 2 is last in the scan list. If the first get stream data request is for 10 samples from channel 1, the reads from channels 0 and 2 also must be for 10 samples. Note that when reading stream data one channel at a time (not using *LJ\_chALL\_CHANNELS*), the scan list cannot have duplicate channel numbers.

There are three basic wait modes for retrieving the data:

1. *LJ\_swNONE*: The Go call will retrieve whatever data is available at the time of the call up to the requested amount of data. A Get command should be called to determine how many scans were retrieved. This is generally used with a software timed read interval. The number of samples read per loop iteration will vary, but the time per loop iteration will be pretty consistent. Since the LabJack clock could be faster than the PC clock, it is recommended to request more scans than are expected each time so that the application does not get behind.
2. *LJ\_swSLEEP*: This makes the Go command a blocking call. The Go command will loop until the requested amount of is retrieved or no new data arrives from the device before timeout. In this mode, the hardware dictates the timing of the application ... you generally do not want to add a software delay in the read loop. The time per loop iteration will vary, but the number of samples read per loop will be the same every time. A Get command should be called to determine whether all the data was retrieved, or a timeout condition occurred and none of the data was retrieved.
3. *LJ\_swALL\_OR\_NONE*: If available, the Go call will retrieve the amount of data requested, otherwise it will retrieve no data. A Get command should be called to determine whether all the data was returned or none. This could be a good mode if hardware timed execution is desirable, but without the application continuously waiting in SLEEP mode.

The following pseudocode reads data continuously in SLEEP mode as configured above:

```
//Read data until done.
while(!done)
{
    //Must set the number of scans to read each iteration, as the read
    //returns the actual number read.
    numScans = 1000;

    //Read the data. Note that the array passed must be sized to hold
    //enough SAMPLES, and the Value passed specifies the number of SCANS
    //to read.
    eGetPtr(IngHandle, LJ_ioGET_STREAM_DATA, LJ_chALL_CHANNELS, &numScans, array);
    actualNumberRead = numScans;

    //When all channels are retrieved in a single read, the data
    //is interleaved in a 1-dimensional array. The following lines
    //get the first sample from each channel.
    channelA = array[0];
    channelB = array[1];
```

```

//Retrieve the current U6 backlog. The UD driver retrieves
//stream data from the U6 in the background, but if the computer
//is too slow for some reason the driver might not be able to read
//the data as fast as the U6 is acquiring it, and thus there will
//be data left over in the U6 buffer.
eGet(IngHandle, LJ_ioGET_CONFIG, LJ_chSTREAM_BACKLOG_COMM, &dblCommBacklog, 0);

//Retrieve the current UD driver backlog. If this is growing, then
//the application software is not pulling data from the UD driver
//fast enough.
eGet(IngHandle, LJ_ioGET_CONFIG, LJ_chSTREAM_BACKLOG_UD, &dblUDBacklog, 0);
}

```

Finally, stop the stream:

```
//Stop the stream. errorcode = ePut (Handle, LJ_ioSTOP_STREAM, 0, 0, 0);
```

## 4.3.8 - Raw Output/Input [U6 Datasheet]

[Log in or register](#) to post comments

There are two IOTypes used to write or read raw data. These can be used to make low-level function calls (Section 5) through the UD driver. The only time these generally might be used is to access some low-level device functionality not available in the UD driver, or when making OS portable code.

```
LJ_ioRAW_OUT
LJ_ioRAW_IN
```

When using these IOTypes, channel # specifies the desired communication pipe. For the U6, 0 is the normal pipe while 1 is the streaming pipe. The number of bytes to write/read is specified in value (1-16384), and x1 is a pointer to a byte array for the data. When retrieving the result, the value returned is the number of bytes actually read/written.

Following is example pseudocode to write and read the low-level command ConfigTimerClock ([Section 5.2.4](#)).

```
writeArray[10] = {0x05,0xF8,0x02,0x0A,0x00,0x00,0x00,0x00,0x00,0x00};
numBytesToWrite = 10;
numBytesToRead = 10;
```

```
//Raw Out. This command writes the bytes to the device.
eGetPtr(IngHandle, LJ_ioRAW_OUT, 0, &numBytesToWrite, writeArray);
```

```
//Raw In. This command reads the bytes from the device.
eGetPtr(IngHandle, LJ_ioRAW_IN, 0, &numBytesToRead, readArray);
```

## 4.3.9 - Easy Functions [U6 Datasheet]

[Log in or register](#) to post comments

The easy functions are simple alternatives to the very flexible IOType based method normally used by this driver. There are 6 functions available:

```

eAIN() //Read 1 analog input.
eDAC() //Write to 1 analog output.
eDI() //Read 1 digital input.
eDO() //Write to 1 digital output.
eTCConfig() //Configure all timers and counters.
eTCValues() //Update/reset and read all timers and counters.

```

In addition to the basic operations, these functions also automatically handle configuration as needed. For example, eDO() sets the specified line to digital output if previously configured as analog and/or input, and eAIN() sets the line to analog if previously configured as digital. Passing a -1 to any of the configuration parameters (resolution, range, etc) will use the driver's current value instead of having to specify it.

The first 4 functions should not be used when speed is critical with multi-channel reads. These functions use one low-level function per operation, whereas using the normal Add/Go/Get method with IOTypes, many operations can be combined into a single low-level call. With single channel operations, however, there will be little difference between using an easy function or Add/Go/Get.

The last two functions handle almost all functionality related to timers and counters, and will usually be as efficient as any other method. These easy functions are recommended for most timer/counter applications.

Following is example pseudocode:

```

//Take a single-ended measurement from AIN3.
//eAIN (Handle, ChannelP, ChannelN, "Voltage, Range, Resolution,
// Settling, Binary, Reserved1, Reserved2)
//
eAIN(IngHandle, 3, 199, &dblVoltage, LJ_rgBIP10V, 0, 0, 0, 0, 0);
printf("AIN3 value = %.3f\n",dblVoltage);

//Set DAC0 to 3.1 volts.
//eDAC (Handle, Channel, Voltage, Binary, Reserved1, Reserved2)

```

```

//
eDAC(IngHandle, 0, 3, 1, 0, 0, 0);

//Read state of FIO2.
//eDI (Handle, Channel, *State)
//
eDI(IngHandle, 2, &IngState);
printf("FIO2 state = %.0f\n",IngState);

//Set FIO3 to output-high.
//eDO (Handle, Channel, State)
//
eDO(IngHandle, 3, 1);

//Enable and configure 1 output timer and 1 input timer, and enable Counter0.
//Fill the arrays with the desired values, then make the call.
alngEnableTimers = {1, 1, 0, 0}; //Enable Timer0-Timer1
alngTimerModes = {LJ_tmPWM8, LJ_tmRISINGEDGES32, 0, 0}; //Set timer modes
adblTimerValues = {16384, 0, 0, 0}; //Set PWM8 duty-cycle to 75%.
alngEnableCounters = {1, 0}; //Enable Counter0
//
//eTCConfig (Handle, *aEnableTimers, *aEnableCounters, TCPinOffset,
// TimerClockBaseIndex, TimerClockDivisor, *aTimerModes,
// *aTimerValues, Reserved1, Reserved2);
//
eTCConfig(IngHandle, alngEnableTimers, alngEnableCounters, 4, LJ_tc48MHZ, 0, alngTimerModes, adblTimerValues, 0, 0);

//Read and reset the input timer (Timer1), read and reset Counter0, and update
//the value (duty-cycle) of the output timer (Timer0).
//Fill the arrays with the desired values, then make the call.
alngReadTimers = {0, 1, 0, 0}; //Read Timer1
alngUpdateResetTimers = {1, 1, 0, 0}; //Update Timer0 and reset Timer1
alngReadCounters = {1, 0}; //Read Counter0
alngResetCounters = {1, 0}; //Reset Counter0
adblTimerValues = {32768, 0, 0, 0}; //Change Timer0 duty-cycle to 50%
//
//eTCValues (Handle, *aReadTimers, *aUpdateResetTimers, *aReadCounters,
// *aResetCounters, *aTimerValues, *aCounterValues, Reserved1,
// Reserved2);
//
eTCValues(IngHandle, alngReadTimers, alngUpdateResetTimers, alngReadCounters, alngResetCounters, adblTimerValues, adblCounterValues, 0, 0);
printf("Timer1 value = %.0f\n", adblTimerValues[1]);
printf("Counter0 value = %.0f\n", adblCounterValues[0]);

```

## 4.3.10 - SPI Serial Communication [U6 Datasheet]

[Log in](#) or [register](#) to post comments

The U6 supports Serial Peripheral Interface (SPI) communication as the master only. SPI is a synchronous serial protocol typically used to communicate with chips that support SPI as slave devices.

This serial link is not an alternative to the USB connection. Rather, the host application will write/read data to/from the U6 over USB, and the U6 communicates with some other device using the serial protocol. Using this serial protocol is considered an advanced topic. A good knowledge of the protocol is recommended, and a logic analyzer or oscilloscope might be needed for troubleshooting.

There is one IOType used to write/read data over the SPI bus:

```
LJ_ioSPI_COMMUNICATION // Value= number of bytes (1-50). x1= array.
```

The following are special channels, used with the get/put config IOTypes, to configure various parameters related to the SPI bus. See the low-level function description in [Section 5.2.17](#) for more information about these parameters:

```

LJ_chSPI_AUTO_CS
LJ_chSPI_DISABLE_DIR_CONFIG
LJ_chSPI_MODE
LJ_chSPI_CLOCK_FACTOR
LJ_chSPI_MOSI_PIN_NUM
LJ_chSPI_MISO_PIN_NUM
LJ_chSPI_CLK_PIN_NUM
LJ_chSPI_CS_PIN_NUM

```

Following is example pseudocode to configure SPI communication:

```

//First, configure the SPI communication.

//Enable automatic chip-select control.
AddRequest(IngHandle, LJ_ioPUT_CONFIG, LJ_chSPI_AUTO_CS, 1, 0, 0);

//Do not disable automatic digital i/o direction configuration.
AddRequest(IngHandle, LJ_ioPUT_CONFIG, LJ_chSPI_DISABLE_DIR_CONFIG, 0, 0, 0);

//Mode A: CPOL=0, CPHA=0.
AddRequest(IngHandle, LJ_ioPUT_CONFIG, LJ_chSPI_MODE, 0, 0, 0);

//Maximum clock rate (~100kHz).
AddRequest(IngHandle, LJ_ioPUT_CONFIG, LJ_chSPI_CLOCK_FACTOR, 0, 0, 0);

```

```
//Set MOSI to FIO2.
AddRequest(IngHandle, LJ_ioPUT_CONFIG, LJ_chSPI_MOSI_PIN_NUM,2,0,0);

//Set MISO to FIO3.
AddRequest(IngHandle, LJ_ioPUT_CONFIG, LJ_chSPI_MISO_PIN_NUM,3,0,0);

//Set CLK to FIO0.
AddRequest(IngHandle, LJ_ioPUT_CONFIG, LJ_chSPI_CLK_PIN_NUM,0,0,0);

//Set CS to FIO1.
AddRequest(IngHandle, LJ_ioPUT_CONFIG, LJ_chSPI_CS_PIN_NUM,1,0,0);

//Execute the configuration requests.
GoOne(IngHandle);
```

Following is pseudocode to do the actual SPI communication:

```
//Transfer the data.
eGetPtr(IngHandle, LJ_ioSPI_COMMUNICATION, 0, &numBytesToTransfer, array);
```

## 4.3.11 - I<sup>2</sup>C Serial Communication [U6 Datasheet]

[Log in](#) or [register](#) to post comments

The U6 supports Inter-Integrated Circuit (I<sup>2</sup>C or I2C) communication as the master only. I<sup>2</sup>C is a synchronous serial protocol typically used to communicate with chips that support I2C as slave devices. Any 2 digital I/O lines are used for SDA and SCL. Note that the I<sup>2</sup>C bus generally requires pull-up resistors of perhaps 4.7 kΩ from SDA to Vs and SCL to Vs, and also note that the screw terminals labeled SDA and SCL (if present) are not used for I<sup>2</sup>C.

This serial link is not an alternative to the USB connection. Rather, the host application will write/read data to/from the U6 over USB, and the U6 communicates with some other device using the serial protocol. Using this serial protocol is considered an advanced topic. A good knowledge of the protocol is recommended, and a logic analyzer or oscilloscope might be needed for troubleshooting.

There is one IOType used to write/read I<sup>2</sup>C data:

```
LJ_ioI2C_COMMUNICATION
```

The following are special channels used with the I<sup>2</sup>C IOType above:

```
LJ_chI2C_READ // Value= number of bytes (0-52). x1= array.
LJ_chI2C_WRITE // Value= number of bytes (0-50). x1= array.
LJ_chI2C_GET_ACKS
```

The following are special channels, used with the get/put config IOTypes, to configure various parameters related to the I<sup>2</sup>C bus. See the low-level function description in [Section 5.2.21](#) for more information about these parameters:

```
LJ_chI2C_ADDRESS_BYTE
LJ_chI2C_SCL_PIN_NUM // 0-19. Pull-up resistor usually required.
LJ_chI2C_SDA_PIN_NUM // 0-19. Pull-up resistor usually required.
LJ_chI2C_OPTIONS
LJ_chI2C_SPEED_ADJUST
```

The [LJTick-DAC](#) is an accessory from LabJack with an I<sup>2</sup>C 24C01C EEPROM chip. Following is example pseudocode to configure I<sup>2</sup>C to talk to that chip:

```
//The AddressByte of the EEPROM on the LJTick-DAC is 0xA0 or decimal 160.
AddRequest(IngHandle, LJ_ioPUT_CONFIG, LJ_chI2C_ADDRESS_BYTE,160,0,0);

//SCL is FIO0
AddRequest(IngHandle, LJ_ioPUT_CONFIG, LJ_chI2C_SCL_PIN_NUM,0,0,0);

//SDA is FIO1
AddRequest(IngHandle, LJ_ioPUT_CONFIG, LJ_chI2C_SDA_PIN_NUM,1,0,0);

//See description of low-level I2C function.
AddRequest(IngHandle, LJ_ioPUT_CONFIG, LJ_chI2C_OPTIONS,0,0,0);

//See description of low-level I2C function. 0 is max speed of about 150 kHz.
AddRequest(IngHandle, LJ_ioPUT_CONFIG, LJ_chI2C_SPEED_ADJUST,0,0,0);

//Execute the configuration requests.
GoOne(IngHandle);
```

Following is pseudocode to read 4 bytes from the EEPROM:

```
//Initial read of EEPROM bytes 0-3 in the user memory area.
//We need a single I2C transmission that writes the address and then reads
//the data. That is, there needs to be an ack after writing the address,
//not a stop condition. To accomplish this, we use Add/Go/Get to combine
//the write and read into a single low-level call.
numWrite = 1;
array[0] = 0; //Memory address. User area is 0-63.
AddRequestPtr(IngHandle, LJ_ioI2C_COMMUNICATION, LJ_chI2C_WRITE, numWrite, array, 0);

numRead = 4;
AddRequestPtr(IngHandle, LJ_ioI2C_COMMUNICATION, LJ_chI2C_READ, numRead, array, 0);
```



```
//Execute the requests.
GoOne(IngHandle);
```

For more example code, see the I2C.cpp example in the VC6\_LJUD archive.

## 4.3.12 - Asynchronous Serial Communication [U6 Datasheet]

[Log in](#) or [register](#) to post comments

The U6 has a UART available that supports asynchronous serial communication. The TX (transmit) and RX (receive) lines appear on FIO/EIO after any timers and counters, so with no timers/counters enabled, and pin offset set to 0, TX=FIO0 and RX=FIO1.

Communication is in the common 8/n/1 format. Similar to RS-232, except that the logic is normal CMOS/TTL. Connection to an RS-232 device will require a converter chip such as the MAX233, which inverts the logic and shifts the voltage levels.

This serial link is not an alternative to the USB connection. Rather, the host application will write/read data to/from the U6 over USB, and the U6 communicates with some other device using the serial protocol. Using this serial protocol is considered an advanced topic. A good knowledge of the protocol is recommended, and a logic analyzer or oscilloscope might be needed for troubleshooting. Also consider that a better way to do RS-232 (or RS-485 or RS-422) communication is with a standard USB<=>RS-232 adapter/converter/dongle, so the user should have a particular reason to not use that and use a U6 instead.

There is one IOType used to write/read asynchronous data:

```
LJ_ioASYNCH_COMMUNICATION
```

The following are special channels used with the asynch IOType above:

```
LJ_chASYNCH_ENABLE // Enables UART to begin buffering RX data.
LJ_chASYNCH_RX // Value= returns pre-read buffer size. x1= array.
LJ_chASYNCH_TX // Value= number to send (0-56), number in RX buffer. x1= array.
LJ_chASYNCH_FLUSH // Flushes the RX buffer. All data discarded. Value ignored.
```

When using `LJ_chASYNCH_RX`, the Value parameter returns the size of the Asynch buffer before the read. If the size is 32 bytes or less, that is how many bytes were read. If the size is more than 32 bytes, then the call read 32 this time and there are still bytes left in the buffer.

When using `LJ_chASYNCH_TX`, specify the number of bytes to send in the Value parameter. The Value parameter returns the size of the Asynch read buffer.

The following is a special channel, used with the get/put configIOTypes, to specify the baud rate for the asynchronous communication:

```
LJ_chASYNCH_BAUDFACTOR // 16-bit value.
```

With hardware revision 1.30 this is a 16-bit value that sets the baud rate according the following formula:  $\text{BaudFactor16} = 2^{16} - 4800000 / (2 * \text{Desired Baud})$ . For example, a `BaudFactor16 = 63036` provides a baud rate of 9600 bps. With hardware revision 1.21, the value is only 8-bit and the formula is  $\text{BaudFactor8} = 2^8 - \text{TimerClockBase} / (\text{Desired Baud})$ .

Following is example pseudocode for asynchronous communication:

```
//Set data rate for 9600 bps communication.
ePut(IngHandle, LJ_ioPUT_CONFIG, LJ_chASYNCH_BAUDFACTOR, 63036, 0);

//Enable UART.
ePut(IngHandle, LJ_ioASYNCH_COMMUNICATION, LJ_chASYNCH_ENABLE, 1, 0);

//Write data.
eGetPtr(IngHandle, LJ_ioASYNCH_COMMUNICATION, LJ_chASYNCH_TX, &numBytes, array);

//Read data. Always initialize array to 32 bytes.
eGetPtr(IngHandle, LJ_ioASYNCH_COMMUNICATION, LJ_chASYNCH_RX, &numBytes, array);
```

## 4.3.13 - Watchdog Timer [U6 Datasheet]

[Log in](#) or [register](#) to post comments

The U6 has firmware based watchdog capability. Unattended systems requiring maximum up-time might use this capability to reset the U6 or the entire system. When any of the options are enabled, an internal timer is enabled which resets on any incoming USB communication. If this timer reaches the defined TimeoutPeriod before being reset, the specified actions will occur. Note that while streaming, data is only going out, so some other command will have to be called periodically to reset the watchdog timer.

Timeout of the watchdog on the U6 can be specified to cause a device reset (most common), update the state of 1 digital I/O (must be configured as output by user), or both.

Typical usage of the watchdog is to configure the reset defaults (condition of digital I/O and analog outputs) as desired (use the "config defaults" option in LJControlPanel V2.26+), and then use the watchdog simply to reset the device on timeout. For initial testing, "config defaults" in LJCP can be used to enable the watchdog all the time, but often it is desirable to enable/disable the watchdog in user software so it is only active while that software is running.

Note that some USB hubs do not like to have any USB device repeatedly reset. With such hubs, the operating system will quit reenumerating the device on reset and the computer will have to be rebooted, so avoid excessive resets with hubs that seem to have this problem.

If the watchdog is accidentally configured to reset the processor with a very low timeout period (such as 1 second), it could be difficult to establish any communication with the device. In such a case, the reset-to-default jumper can be used to turn off the watchdog. Power up the U6 with a short from FIO2 to SPC, then remove the jumper and power cycle the device again. This resets all power-up settings to factory default values.

There is one IOType used to configure and control the watchdog:

```
LJ_ioSWDT_CONFIG // Channel is enable or disable constant.
```

The watchdog settings are stored in non-volatile flash memory (and reloaded at reset), so every request with this IOType causes a flash erase/write. The flash has a rated endurance of at least 20000 writes, which is plenty for reasonable operation, but if this IOType is called in a high-speed loop the flash could be damaged.

The following are special channels used with the watchdog config IOType above:

```
LJ_chSWDT_ENABLE // Value is timeout in seconds (1-65535).
LJ_chSWDT_DISABLE
```

The following are special channels, used with the put config IOType, to configure watchdog options. These parameters cause settings to be updated in the driver only. The settings are not actually sent to the hardware until the *LJ\_ioSWDT\_CONFIG* IOType (above) is used:

```
LJ_chSWDT_RESET_DEVICE
LJ_chSWDT_UDPATE_DIOA
LJ_chSWDT_DIOA_CHANNEL
LJ_chSWDT_DIOA_STATE
```

Following is example pseudocode to configure and enable the watchdog:

```
//Initialize EIO2 to output-low, which also forces the direction to output.
//It would probably be better to do this by configuring the power-up defaults.
AddRequest(IngHandle, LJ_ioPUT_DIGITAL_BIT, 10,0,0,0);

//Specify that the device should be reset on timeout.
AddRequest(IngHandle, LJ_ioPUT_CONFIG, LJ_chSWDT_RESET_DEVICE,1,0,0);

//Specify that the state of the digital line should be updated on timeout.
AddRequest(IngHandle, LJ_ioPUT_CONFIG, LJ_chSWDT_UDPATE_DIOA,1,0,0);

//Specify that EIO2 is the desired digital line.
AddRequest(IngHandle, LJ_ioPUT_CONFIG, LJ_chSWDT_DIOA_CHANNEL,10,0,0);

//Specify that the digital line should be set high.
AddRequest(IngHandle, LJ_ioPUT_CONFIG, LJ_chSWDT_DIOA_STATE,1,0,0);

//Enable the watchdog with a 60 second timeout.
AddRequest(IngHandle, LJ_ioSWDT_CONFIG, LJ_chSWDT_ENABLE,60,0,0);

//Execute the requests.
GoOne(IngHandle);
```

Following is pseudocode to disable the watchdog:

```
//Disable the watchdog.
ePut(IngHandle, LJ_ioSWDT_CONFIG, LJ_chSWDT_DISABLE,0,0);
```

## 4.3.14 - Miscellaneous [U6 Datasheet]

[Log in](#) or [register](#) to post comments

The following are special channels, used with the [get/put config IOTypes](#), to read/write the [calibration memory](#) and user memory:

```
LJ_chCAL_CONSTANTS // x1 points to an array with 64 doubles.
LJ_chUSER_MEM // x1 points to an array with 256 bytes.
```

LJ\_chCAL\_CONSTANTS makes 16 calls to the low-level ReadCal or EraseCal/WriteCal functions to do a consecutive read or erase/write of all 16x 32-byte blocks of calibration memory, or 512 bytes total. Those bytes represent 64x 64-bit fixed point values in hardware, but are passed to/from the UD as 64 doubles.

LJ\_chUSER\_MEM makes 8 calls to the low-level ReadMem or EraseMem/WriteMem functions to do a consecutive read or erase/write of 8x 32-byte blocks of user memory. This function accesses the first 256 bytes of user-mem. The second 256 bytes can only be accessed using the low-level functions.

For more information, see the low-level descriptions in Sections [5.2.6](#) - [5.2.8](#), and see the Memory example in the VC6\_LJUD archive.

The following wait IOType is used to create a delay between other actions:

```
LJ_ioPUT_WAIT // Channel ignored. Value = 0-4194240 microseconds. Actual resolution is 64 microseconds.
```

Any value (in microseconds) from 0-4194240 can be passed, but the actual resolution is 64 microseconds.

This is typically used to put a small delay between two actions that will execute in the same low-level Feedback command. It is useful when the desired delay is less than what can be accomplished through software.

For example, a 1.024 millisecond pulse can be created by executing a single Add/Go/Get block that sequentially requests to set FIO4 to output-high, wait 1024 microseconds, then set FIO4 to output-low.

## 4.4 - Errorcodes [U6 Datasheet]

[Log in](#) or [register](#) to post comments

## UD Errorcodes

All functions return an LJ\_ERROR error code as listed in the following tables.

**Table 4.4-1.** Request Level Error Codes

Errorcode	Name	Description
-2	LJE_UNABLE_TO_READ_CALDATA	Warning: Defaults used instead.
-1	LJE_DEVICE_NOT_CALIBRATED	Warning: Defaults used instead.
0	LJE_NOERROR	
1	LJE_COMMAND_LIST_ERROR	Error detected in eAddGoGet. Check the updated parameters aRequestErrors, GoError, and aResultErrors for specific errors.
2	LJE_INVALID_CHANNEL_NUMBER	Channel that does not exist (e.g. DAC2), or data from stream is requested on a channel that is not in the scan list.
3	LJE_INVALID_RAW_INOUT_PARAMETER	
4	LJE_UNABLE_TO_START_STREAM	
5	LJE_UNABLE_TO_STOP_STREAM	
6	LJE_NOTHING_TO_STREAM	
7	LJE_UNABLE_TO_CONFIG_STREAM	
8	LJE_BUFFER_OVERRUN	Overrun of the UD stream buffer.
9	LJE_STREAM_NOT_RUNNING	
10	LJE_INVALID_PARAMETER	
11	LJE_INVALID_STREAM_FREQUENCY	
12	LJE_INVALID_AIN_RANGE	
13	LJE_STREAM_CHECKSUM_ERROR	
14	LJE_STREAM_COMMAND_ERROR	
15	LJE_STREAM_ORDER_ERROR	Stream packet received out of sequence.
16	LJE_AD_PIN_CONFIGURATION_ERROR	Analog request on a digital pin, or vice versa.
17	LJE_REQUEST_NOT_PROCESSED	Previous request had an error.
19	LJE_SCRATCH_ERROR	
20	LJE_DATA_BUFFER_OVERFLOW	
21	LJE_ADC0_BUFFER_OVERFLOW	
22	LJE_FUNCTION_INVALID	
23	LJE_SWDT_TIME_INVALID	
24	LJE_FLASH_ERROR	
25	LJE_STREAM_IS_ACTIVE	
26	LJE_STREAM_TABLE_INVALID	
27	LJE_STREAM_CONFIG_INVALID	
28	LJE_STREAM_BAD_TRIGGER_SOURCE	
30	LJE_STREAM_INVALID_TRIGGER	
31	LJE_STREAM_ADC0_BUFFER_OVERFLOW	
33	LJE_STREAM_SAMPLE_NUM_INVALID	
34	LJE_STREAM_BIPOLAR_GAIN_INVALID	
35	LJE_STREAM_SCAN_RATE_INVALID	
36	LJE_TIMER_INVALID_MODE	
37	LJE_TIMER_QUADRATURE_AB_ERROR	
38	LJE_TIMER_QUAD_PULSE_SEQUENCE	
39	LJE_TIMER_BAD_CLOCK_SOURCE	
40	LJE_TIMER_STREAM_ACTIVE	
41	LJE_TIMER_PWMSTOP_MODULE_ERROR	
42	LJE_TIMER_SEQUENCE_ERROR	
43	LJE_TIMER_SHARING_ERROR	
44	LJE_TIMER_LINE_SEQUENCE_ERROR	
45	LJE_EXT_OSC_NOT_STABLE	
46	LJE_INVALID_POWER_SETTING	
47	LJE_PLL_NOT_LOCKED	
48	LJE_INVALID_PIN	
49	LJE_IOTYPE_SYNCH_ERROR	
50	LJE_INVALID_OFFSET	
51	LJE_FEEDBACK_IOTYPE_NOT_VALID	
52	LJE_SHT_CRC	
53	LJE_SHT_MEASREADY	

54	LJE_SHT_ACK	
55	LJE_SHT_SERIAL_RESET	
56	LJE_SHT_COMMUNICATION	
57	LJE_AIN_WHILE_STREAMING	AIN not available to command-response functions while the UE9 is stream.
58	LJE_STREAM_TIMEOUT	
59	LJE_STREAM_CONTROL_BUFFER_OVERFLOW	
60	LJE_STREAM_SCAN_OVERLAP	New scan started before the previous scan completed. Scan rate is too high.
61	LJE_FIRMWARE_VERSION_IOTYPE	IOType not supported with this firmware.
62	LJE_FIRMWARE_VERSION_CHANNEL	Channel not supported with this firmware.
63	LJE_FIRMWARE_VERSION_VALUE	Value not supported with this firmware.
64	LJE_HARDWARE_VERSION_IOTYPE	IOType not supported with this hardware.
65	LJE_HARDWARE_VERSION_CHANNEL	Channel not supported with this hardware.
66	LJE_HARDWARE_VERSION_VALUE	Value not supported with this hardware.
67	LJE_CANT_CONFIGURE_PIN_FOR_ANALOG	
68	LJE_CANT_CONFIGURE_PIN_FOR_DIGITAL	
69	LJE_LJTDAC_ACK_ERROR	
70	LJE_TC_PIN_OFFSET_MUST_BE_4_TO_8	
71	LJE_INVALID_DIFFERENTIAL_CHANNEL	
72	LJE_DSP_SIGNAL_OUT_OF_RANGE	
73	LJE_STREAM_INVALID_CONNECTION	
112	UART_TIMEOUT	
113	UART_NOTCONNECTED	Use ConfigIO to assign pins to UART
114	UART_NOTENABLED	Use AsynchConfig to enable UART
115	I2C_BUS_BUSY	

Table 4.4-2. Group Level Error Codes

Errorcode	Name	Description
1000	LJE_MIN_GROUP_ERROR	Errors above this number stop all requests.
1001	LJE_UNKNOWN_ERROR	Unrecognized error that is caught.
1002	LJE_INVALID_DEVICE_TYPE	
1003	LJE_INVALID_HANDLE	
1004	LJE_DEVICE_NOT_OPEN	AddRequest() called even though Open() failed.
1005	LJE_NO_DATA_AVAILABLE	GetResult() call without calling a Go function, or a channel is passed that was not in the request list.
1006	LJE_NO_MORE_DATA_AVAILABLE	
1007	LJE_LABJACK_NOT_FOUND	LabJack not found at the given ID or address.
1008	LJE_COMM_FAILURE	Unable to send or receive the correct number of bytes.
1009	LJE_CHECKSUM_ERROR	
1010	LJE_DEVICE_ALREADY_OPEN	USB connection in use by another process.
1011	LJE_COMM_TIMEOUT	
1012	LJE_USB_DRIVER_NOT_FOUND	
1013	LJE_INVALID_CONNECTION_TYPE	
1014	LJE_INVALID_MODE	
1015	LJE_DEVICE_NOT_CONNECTED	Previously open device is no longer connected.

Table 4.4-1 lists the errors which are specific to a request. For example, LJE\_INVALID\_CHANNEL\_NUMBER. If this error occurs, other requests are not affected.

Table 4.4-2 lists errors which cause all pending requests for a particular Go() to fail with the same error. If this type of error is received the state of any of the request is not known. For example, if requests are executed with a single Go() to set the AIN range and read an AIN, and the read fails with an

LJE\_COMM\_FAILURE, it is not known whether the AIN range was set to the new value or whether it is still set at the old value.

## 5 - Low-level Function Reference [U6 Datasheet]

[Log in](#) or [register](#) to post comments

### Low-Level Function Refence Overview

This section describes the low level functions of the U6. These are commands sent over USB directly to the processor on the U6.

The majority of Windows users will use the high-level UD driver rather than these low-level functions.

### 5.1 - General Protocol [U6 Datasheet]

[Log in](#) or [register](#) to post comments

Following is a description of the general U6 low-level communication protocol. There are two types of commands:

Normal: 1 command word plus 0-7 data words.

Extended: 3 command words plus 0-125 data words.

Normal commands have a smaller packet size and can be faster in some situations. Extended commands provide more commands, better error detection, and a larger maximum data payload.

**Table 5.1-1.** Normal command format

Byte		
0	Checksum8: Includes bytes 1-15.	
1	Command Byte: DCCCCWWW	
		Bit 7: Destination bit:
		0 = Local,
		1 = Remote.
		Bits 6-3: Normal command number (0-14).
		Bits 2-0: Number of data words.
2-15	Data Words.	

**Table 5.1-2.** Extended command format

Byte		
0	Checksum8: Includes bytes 1-5.	
1	Command Byte: D1111WWW	
		Bit 7: Destination bit:
		0 = Local,
		1 = Remote.
		Bits 6-3: 1111 specifies that this is an extended Command.
		Bits 2-0: Used with some commands.
2	Number of data words	
3	Extended command number.	
4	Checksum16 (LSB)	
5	Checksum16 (MSB)	
6-255	Data words.	

Checksum calculations:

All checksums are a "1's complement checksum". Both the 8-bit and 16-bit checksum are unsigned. Sum all applicable bytes in an accumulator, 1 at a time. Each time another byte is added, check for overflow (carry bit), and if true add one to the accumulator.

In a high-level language, do the following for the 8-bit normal command checksum:

- Get the subarray consisting of bytes 1 and up.
- Convert bytes to U16 and sum into a U16 accumulator.
- Divide by  $2^8$  and sum the quotient and remainder.
- Divide by  $2^8$  and sum the quotient and remainder.

In a high-level language, do the following for an extended command 16-bit checksum:

- Get the subarray consisting of bytes 6 and up.
- Convert bytes to U16 and sum into a U16 accumulator (can't overflow).

Then do the following for the 8-bit extended checksum:

- Get the subarray consisting of bytes 1 through 5.
- Convert bytes to U16 and sum into a U16 accumulator.
- Divide by  $2^8$  and sum the quotient and remainder.
- Divide by  $2^8$  and sum the quotient and remainder.

#### Destination Bit:

This bit specifies whether the command is destined for the local or remote target. This bit is ignored on the U6.

#### Multi-byte parameters:

In the following function definitions there are various multi-byte parameters. The least significant byte of the parameter will always be found at the lowest byte number. For instance, bytes 10 through 13 of CommConfig are the IP address which is 4 bytes long. Byte 10 is the least significant byte (LSB), and byte 13 is the most significant byte (MSB).

#### Masks:

Some functions have mask parameters. The WriteMask found in some functions specifies which parameters are to be written. If a bit is 1, that parameter will be updated with the new passed value. If a bit is 0, the parameter is not changed and only a read is performed.

The AINMask found in some functions specifies which analog inputs are acquired. This is a 16-bit parameter where each bit corresponds to AIN0-AIN15. If a bit is 1, that channel will be acquired.

The digital I/O masks, such as FIOMask, specify that the passed value for direction and state are updated if a bit 1. If a bit of the mask is 0 only a read is performed on that bit of I/O.

#### Binary Encoded Parameters:

Many parameters in the following functions use specific bits within a single integer parameter to write/read specific information. In particular, most digital I/O parameters contain the information for each bit of I/O in one integer, where each bit of I/O corresponds to the same bit in the parameter (e.g. the direction of FIO0 is set in bit 0 of parameter FIODir). For instance, in the function ControlConfig, the parameter FIODir is a single byte (8 bits) that writes/reads the direction of each of the 8 FIO lines:

- if FIODir is 0, all FIO lines are input,
- if FIODir is 1 ( $2^0$ ), FIO0 is output, FIO1-FIO7 are input,
- if FIODir is 5 ( $2^0 + 2^2$ ), FIO0 and FIO2 are output, all other FIO lines are input,
- if FIODir is 255 ( $2^0 + \dots + 2^7$ ), FIO0-FIO7 are output.

## 5.2 - Low-Level Functions [U6 Datasheet]

[Log in](#) or [register](#) to post comments

The low-level functions are commands sent over USB directly to the U6.

For applications on Windows, consider the high-level [LabJackUD driver](#) instead.

For usage examples of most low-level functions, see [LabJackPython's u6.py](#).

### 5.2.1 - Bad Checksum [U6 Datasheet]

[Log in](#) or [register](#) to post comments

If the processor detects a bad checksum in any command, the following 2-byte normal response will be sent and nothing further will be done.

**Table 5.2.1-1.** Bad Checksum Response

Response:	
Byte	
0	0xB8
1	0xB8

### 5.2.2 - ConfigU6 [U6 Datasheet]

[Log in](#) or [register](#) to post comments

Writes the Local ID, and reads some hardware information. The old U6 version of this function used to write and read power-up defaults for many parameters, but that functionality has been moved to new functions.

If WriteMask is nonzero, some or all default values are written to flash. The U6 flash has a rated endurance of at least 20000 writes, which is plenty for reasonable operation, but if this function is called in a high-speed loop with a nonzero WriteMask, the flash could eventually be damaged.

Note: If the stream is running, you cannot update any of the values (WriteMask must equal 0).

**Table 5.2.2-1.** ConfigU6 Command Response

Command:		
Byte		
0	Checksum8	
1	0xF8	
2	0x0A	
3	0x08	
4	Checksum16 (LSB)	
5	Checksum16 (MSB)	
6	WriteMask0	
		Bit 3: Local ID
7	Reserved	
8	LocalID	
9-25	Reserved	
Response:		
Byte		
0	Checksum8	
1	0xF8	
2	0x10	
3	0x08	
4	Checksum16 (LSB)	
5	Checksum16 (MSB)	
6	Error Code	
7	Reserved	
8	Reserved	
9-10	FirmwareVersion	
11-12	BootloaderVersion	
13-14	HardwareVersion	
15-18	SerialNumber	
19-20	ProductID	
21	LocalID	
22-36	Reserved	
37	VersionInfo	

- **WriteMask:** Has bits that determine which, if any, of the parameters will be written to flash as the reset defaults. If a bit is 1, that parameter will be updated with the new passed value. If a bit is 0, the parameter is not changed and only a read is performed.
- **LocalID:** If the WriteMask bit 3 is set, the value passed become the default value, meaning it is written to flash and used at reset. This is a user-configurable ID that can be used to identify a specific LabJack. The return value of this parameter is the current value and the power-up default value.
- **FirmwareVersion:** Fixed parameter specifies the version number of the main firmware. A firmware upgrade will generally cause this parameter to change. The lower byte is the integer portion of the version and the higher byte is the fractional portion of the version.
- **BootloaderVersion:** Fixed parameter specifies the version number of the bootloader. The lower byte is the integer portion of the version and the higher byte is the fractional portion of the version.
- **HardwareVersion:** Fixed parameter specifies the version number of the hardware. The lower byte is the integer portion of the version and the higher byte is the fractional portion of the version.
- **SerialNumber:** Fixed parameter that is unique for every LabJack.
- **ProductID:** (6) Fixed parameter identifies this LabJack as a U6.
- **VersionInfo:** Bit 2 specifies U6 and bit 3 specifies U6-Pro.

## 5.2.3 - ConfigIO [U6 Datasheet]

[Log in](#) or [register](#) to post comments

Writes and reads the current IO configuration.

**Table 5.2.3-1.** ConfigIO Command Response

Command:		
Byte		
0	Checksum8	
1	0xF8	
2	0x05	
3	0x0B	
4	Checksum16 (LSB)	
5	Checksum16 (MSB)	
6	WriteMask	
		Bit 0: 1 = Write Settings
		Bit 5: Assign pins to UART

7	NumberTimersEnabled	
8	CounterEnable	
		Bit 1: Enable Counter1
		Bit 0: Enable Counter0
9	TimerCounterPinOffset	
10-15	Reserved	
<u>Response:</u>		
<u>Byte</u>		
0	Checksum8	
1	0xF8	
2	0x05	
3	0x0B	
4	Checksum16 (LSB)	
5	Checksum16 (MSB)	
6	Errorcode	
7	Reserved	
8	NumberTimersEnabled	
9	CounterEnable	
10	TCPinOffset	
10-15	Reserved	

- **WriteMask:** Has a bit that determines if new timer/counter settings are written.
- **NumberTimersEnabled:** 0-4. Used to enable/disable timers. Timers will be assigned to IO pins starting with FIO0 plus TimerCounterPinOffset. Timer0 takes the first IO pin, then Timer1, and so on. Whenever this function is called and timers are enabled, the timers are initialized to mode 10, so the desired timer mode must always be specified after every call to this function.
- **TimerCounterPinOffset:** 0-8. Timers/counters are assigned terminals starting from here.

## 5.2.4 - ConfigTimerClock [U6 Datasheet]

[Log in](#) or [register](#) to post comments

Writes and read the timer clock configuration.

**Table 5.2.4-1.** ConfigTimerClock Command Response

<u>Command:</u>		
<u>Byte</u>		
0	Checksum8	
1	0xF8	
2	0x02	
3	0x0A	
4	Checksum16 (LSB)	
5	Checksum16 (MSB)	
6	Reserved	
7	Reserved	
8	TimerClockConfig	
		Bit 7: Configure the clock
		Bits 2-0: TimerClockBase
		b000: 4 MHz
		b001: 12 MHz
		b010: 48 MHz (Default)
		b011: 1 MHz /Divisor
		b100: 4 MHz /Divisor
		b101: 12 MHz /Divisor
		b110: 48 MHz /Divisor
9	TimerClockDivisor ( 0 = +256 )	
<u>Response:</u>		
<u>Byte</u>		
0	Checksum8	
1	0xF8	
2	0x02	
3	0x0A	
4	Checksum16 (LSB)	
5	Checksum16 (MSB)	
6	Errorcode	



7	Reserved	
8	TimerClockConfig	
9	TimerClockDivisor ( 0 = ÷256 )	

- **TimerClockConfig:** Bit 7 determines whether the new TimerClockBase and TimerClockDivisor are written, or if just a read is performed. Bits 0-2 specify the TimerClockBase. If TimerClockBase is 3-6, then Counter0 is not available.
- **TimerClockDivisor:** The base timer clock is divided by this value, or divided by 256 if this value is 0. Only applies if TimerClockBase is 3-6.

## 5.2.5 - Feedback [U6 Datasheet]

[Log in](#) or [register](#) to post comments

### Feedback Overview

A flexible function that handles all command/response functionality. One or more IOTypes are used to perform a single write/read or multiple writes/reads.

Note that the general protocol described in "Section 5.1":/support/u6/users-guide/5.1 defines byte 2 of an extended command as the number of data words, which is the number of words in a packet beyond the first 3 (a word is 2 bytes). Also note that the overall size of a packet must be an even number of bytes, so in this case an extra 0x00 is added to the end of the command and/or response if needed to accomplish this.

Since this command has a flexible size, byte 2 will vary. For instance, if a single IOType of PortStateRead (d26) is passed, byte 2 would be equal to 1 for the command and 3 for the response. If a single IOType of LED (d9) is passed, an extra 0 must be added to the command to make the packet have an even number of bytes, and byte 2 would be equal to 2. The response would also need an extra 0 to be even, and byte 2 would be equal to 2.

Command:	
Byte	
0	Checksum8
1	0xF8
2	0.5 + Number of Data Words (IOTypes and Data)
3	0x00
4	Checksum16 (LSB)
5	Checksum16 (MSB)
6	Echo
7-63	IOTypes and Data
Response:	
Byte	
0	Checksum8
1	0xF8
2	1.5 + Number of Data Words (IOTypes and Data)
3	0x00
4	Checksum16 (LSB)
5	Checksum16 (MSB)
6	Errorcode
7	ErrorFrame
8	Echo
9-63	Data

- **IOTypes & Data:** One or more IOTypes can be passed in a single command, up to the maximum packet size. More info about the available IOTypes is below. In the outgoing command each IOType is passed and accompanied by 0 or more data bytes. In the incoming response, only data bytes are returned without the IOTypes.
- **Echo:** This byte is simply echoed back in the response. A host application might pass sequential numbers to ensure the responses are in order and associated with the proper command.
- **ErrorFrame:** If Errorcode is not zero, this parameter indicates which IOType caused the error. For instance, if the 3rd passed IOType caused the error, the ErrorFrame would be equal to 3. Also note that data is only returned for IOTypes before the one that caused the error, so if any IOType causes an error the overall function response will have less bytes than expected.

IOTypes for Feedback Command:

Name	IOType (dec)	WriteBytes	ReadBytes
AIN	1	3	2
AIN24	2	4	3
AIN24AR	3	4	5
WaitShort	5	2	0
WaitLong	6	2	0
LED	9	2	0
BitStateRead	10	2	1
BitStateWrite	11	2	0
BitDirRead	12	2	1
BitDirWrite	13	2	0
PortStateRead	26	1	3
PortStateWrite	27	7	0
PortDirRead	28	1	3
PortDirWrite	29	7	0
DAC0 (8-bit)	34	2	0

DAC1 (8-bit)	35	2	0
DAC0 (16-bit)	38	3	0
DAC1 (16-bit)	39	3	0
Timer0	42	4	4
Timer0Config	43	4	0
Timer1	44	4	4
Timer1Config	45	4	0
Timer2	46	4	4
Timer2Config	47	4	0
Timer3	48	4	4
Timer3Config	49	4	0
Counter0	54	2	4
Counter1	55	2	4

### 5.2.5.1 - AIN: IOType = 1 [U6 Datasheet]

[Log in or register](#) to post comments

AIN, 3 Command Bytes:	
0	IOType=1
1	PositiveChannel
2	Reserved
2 Response Bytes:	
0	AIN LSB
1	AIN MSB

This is the U3 style IOType to get a single analog input reading. It is available for compatibility, but to make full use of the U6 the new AIN24 IOType should be used.

Note: Do **not** call this IO type while streaming.

- **PositiveChannel:** 0-143 for AIN0-AIN143. 14 is the internal temperature sensor and 15 is internal GND.
- **NegativeChannel:** 0, 15, or 199 signifies a single-ended reading. For differential readings this should be positive channel plus one, where the positive channel is an even number from 0-142.
- **AIN LSB & MSB:** Analog input reading is returned as a 16-bit value (always unsigned).

### 5.2.5.2 - AIN24: IOType = 2 [U6 Datasheet]

[Log in or register](#) to post comments

AIN24, 4 Command Bytes:	
0	IOType=2
1	PositiveChannel
2	Bits 0-3: ResolutionIndex Bits 4-7: GainIndex
3	Bits 0-2: SettlingFactor Bit 7: Differential
3 Response Bytes:	
0	AIN LSB
1	AIN Bits 8-15
2	AIN MSB

This IOType returns a single analog input reading. If using the autorange feature, the AIN24AR IOType in the following Section should be used instead.

Note: Do **not** call this IO type while streaming.

- **PositiveChannel:** 0-143 for AIN0-AIN143. 14 is the internal temperature sensor and 15 is internal GND.
- **ResolutionIndex:** 0=default, 1-8 for high-speed ADC, 9-12 for high-res ADC on U6-Pro.
- **GainIndex:** 0=x1, 1=x10, 2=x100, 3=x1000.
- **SettlingFactor:** 0=Auto, 1=20us, 2=50us, 3=100us, 4=200us, 5=500us, 6=1ms, 7=2ms, 8=5ms, 9=10ms. This is the time between when the muxes are changed and the reading is sampled. "Auto" ensures enough settling for any gain and resolution with source impedances less than at least 1 kohms.
- **Differential:** If this bit is set, a differential reading is done where the negative channel is PositiveChannel+1.
- **AIN bytes:** Analog input reading is returned as a 24-bit value (always unsigned).

### 5.2.5.3 - AIN24AR: IOType = 3 [U6 Datasheet]

[Log in or register](#) to post comments

AIN24AR, 4 Command Bytes:	
0	IOType=3
1	PositiveChannel
2	Bits 0-3: ResolutionIndex Bits 4-7: GainIndex

3	Bits 0-2: SettlingFactor
	Bit 7: Differential
5 Response Bytes:	
0	AIN LSB
1	AIN Bits 8-15
2	AIN MSB
3	Bits 0-3: ResolutionIndex
	Bits 4-7: Gain Index
4	Status

This IOType returns a single analog input reading. Also returns the actual resolution and gain used for the reading.

Note: Do **not** call this IO type while streaming.

- **PositiveChannel:** 0-143 for AIN0-AIN143. 14 is the internal temperature sensor and 15 is internal GND.
- **ResolutionIndex:** 0=default, 1-8 for high-speed ADC, 9-12 for high-res ADC on U6-Pro. Value in the response is the actual resolution setting used for the reading.
- **GainIndex:** 0=x1, 1=x10, 2=x100, 3=x1000, 15=autorange. Value in the response is the actual gain setting used for the reading.
- **SettlingFactor:** 0=Auto, 1=20us, 2=50us, 3=100us, 4=200us, 5=500us, 6=1ms, 7=2ms, 8=5ms, 9=10ms.
- **Differential:** If this bit is set, a differential reading is done where the negative channel is PositiveChannel+1.
- **AIN bytes:** Analog input reading is returned as a 24-bit value (always unsigned).
- **Status:** Reserved for future use.

### 5.2.5.4 - WaitShort: IOType=5 [U6 Datasheet]

[Log in or register](#) to post comments

WaitShort, 2 Command Bytes:	
0	IOType=5
1	Time (* 64 us)
0 Response Bytes:	

This IOType provides a way to add a delay during execution of the Feedback function. The typical use would be putting this IOType in between IOTypes that set a digital output line high and low, thus providing a simple way to create a pulse. Note that this IOType uses the same internal timer as stream mode, so cannot be used while streaming.

- **Time:** This value (0-255) is multiplied by 64 microseconds to determine the delay.

### 5.2.5.5 - WaitLong: IOType=6 [U6 Datasheet]

[Log in or register](#) to post comments

**Table 5.2.5.5-1.** WaitLong Command Response

WaitLong, 2 Command Bytes:	
0	IOType=6
1	Time (*16 ms)
0 Response Bytes:	

This IOType provides a way to add a delay during execution of the Feedback function. The typical use would be putting this IOType in between IOTypes that set a digital output line high and low, thus providing a simple way to create a pulse. Note that this IOType uses the same internal timer as stream mode, so cannot be used while streaming.

- **Time:** This value (0-255) is multiplied by 16384 microseconds to determine the delay.

### 5.2.5.6 - LED: IOType=9 [U6 Datasheet]

[Log in or register](#) to post comments

**Table 5.2.5.6-1.** LED Command Response

LED, 2 Command Bytes:	
0	IOType = 9
1	State
0 Response Bytes:	

This IOType simply turns the status LED on or off.

- **State:** 1=On, 0=Off.

## 5.2.5.7 - BitStateRead: IOType=10 [U6 Datasheet]

[Log in](#) or [register](#) to post comments

**Table 5.2.5.7-1.** BitStateRead Command Response

BitStateRead, 2 Command Bytes:	
0	IOType = 10
1	Bits 0-4: IONumber
1 Response Byte:	
0	Bit 0: State

This IOType reads the state of a single bit of digital I/O. Note that CIO0-2 & MIO0-2 are shared, so to write/read MIO0-2 use channel numbers 16-18. Only lines configured as digital (not analog) return valid readings.

- **IO Number:** 0-7=FIO, 8-15=EIO, or 16-19=CIO.
- **State:** 1=High, 0=Low.

## 5.2.5.8 - BitStateWrite: IOType=11 [U6 Datasheet]

[Log in](#) or [register](#) to post comments

**Table 5.2.5.6-1.** BitStateRead Command Response

BitStateWrite, 2 Command Bytes:	
0	IOType = 11
1	Bits 0-4: IO Number
	Bit 7: State
0 Response Bytes:	

This IOType writes the state of a single bit of digital I/O. Note that CIO0-2 & MIO0-2 are shared, so to write/read MIO0-2 use channel numbers 16-18. The direction of the specified line is forced to output.

- **IO Number:** 0-7=FIO, 8-15=EIO, or 16-19=CIO.
- **State:** 1=High, 0=Low.

## 5.2.5.9 - BitDirRead: IOType=12 [U6 Datasheet]

[Log in](#) or [register](#) to post comments

**Table 5.2.5.9-1.** BitDirRead Command Response

BitDirRead, 2 Command Bytes:	
0	IOType = 12
1	Bits 0-4: IO Number
1 Response Byte:	
0	Bit 0: Direction

This IOType reads the direction of a single bit of digital I/O. Note that CIO0-2 & MIO0-2 are shared, so to write/read MIO0-2 use channel numbers 16-18. This is the digital direction only, and does not provide any information as to whether the line is configured as digital or analog.

- **IO Number:** 0-7=FIO, 8-15=EIO, or 16-19=CIO.
- **Direction:** 1=Output, 0=Input.

## 5.2.5.10 - BitDirWrite: IOType=13 [U6 Datasheet]

[Log in](#) or [register](#) to post comments

**Table 5.2.5.10-1.** BitDirWrite Command Response

BitDirWrite, 2 Command Bytes:	
0	IOType = 13
1	Bits 0-4: IO Number
	Bit 7: Direction
0 Response Bytes:	

This IOType writes the direction of a single bit of digital I/O. Note that CIO0-2 & MIO0-2 are shared, so to write/read MIO0-2 use channel numbers 16-18.

- **IO Number:** 0-7=FIO, 8-15=EIO, or 16-19=CIO.

- **Direction:** 1=Output, 0=Input.

## 5.2.5.11 - PortStateRead: IOType=26 [U6 Datasheet]

[Log in](#) or [register](#) to post comments

**Table 5.2.5.11-1.** PortStateRead Command Response

PortStateRead. 1 Command	
Byte:	
0	IOType = 26
3 Response Bytes:	
0-2	State

This IOType reads the state of all digital I/O, where 0-7=FIO, 8-15=EIO, and 16-19=CIO. Note that CIO0-2 and MIO0-2 are shared, so for reads of MIO0-2 look at 16-18. Only lines configured as digital (not analog) return valid readings.

- **State:** Each bit of this value corresponds to the specified bit of I/O such that 1=High and 0=Low. If all are low, State=d0. If all 20 standard digital I/O are high, State=d1048575. If FIO0-FIO2 are high, EIO0-EIO2 are high, CIO0 is high, and all other I/O are low (b00010000011100000111), State=d67335.

## 5.2.5.12 - PortStateWrite: IOType=27 [U6 Datasheet]

[Log in](#) or [register](#) to post comments

**Table 5.2.5.12-1.** PortStateWrite Command Response

PortStateWrite. 7 Command	
Bytes:	
0	IOType = 27
1-3	WriteMask
4-6	State
0 Response Bytes:	

This IOType writes the state of all digital I/O, where 0-7=FIO, 8-15=EIO, and 16-19=CIO. Note that CIO0-2 and MIO0-2 are shared, so for writes to MIO0-2 use channel numbers 16-18. The direction of the selected lines is forced to output.

- **WriteMask:** Each bit specifies whether to update the corresponding bit of I/O.
- **State:** Each bit of this value corresponds to the specified bit of I/O such that 1=High and 0=Low. To set all low, State=d0. To set all 20 standard digital I/O high, State=d1048575. To set FIO0-FIO2 high, EIO0-EIO2 high, CIO0 high, and all other I/O low (b00010000011100000111), State=d67335.

## 5.2.5.13 - PortDirRead: IOType=28 [U6 Datasheet]

[Log in](#) or [register](#) to post comments

**Table 5.2.5.13-1.** PortDirRead Command Response

PortDirRead. 1 Command	
Byte:	
0	IOType = 28
3 Response Bytes:	
0-2	Direction

This IOType reads the directions of all digital I/O, where 0-7=FIO, 8-15=EIO, and 16-19=CIO. Note that CIO0-2 and MIO0-2 are shared, so for reads of MIO0-2 look at 16-18. These are the digital directions only, and do not provide any information as to whether the lines are configured as digital or analog.

- **Direction:** Each bit of this value corresponds to the specified bit of I/O such that 1=Output and 0=Input. If all are input, Direction=d0. If all 20 standard digital I/O are output, Direction=d1048575. If FIO0-FIO2 are output, EIO0-EIO2 are output, CIO0 is output, and all other I/O are input (b00010000011100000111), Direction=d67335.

## 5.2.5.14 - PortDirWrite: IOType=29 [U6 Datasheet]

[Log in](#) or [register](#) to post comments

**Table 5.2.5.12-1.** PortDirWrite Command Response

PortStateWrite. 7 Command	
Bytes:	
0	IOType = 29
1-3	WriteMask
4-6	Direction
0 Response Bytes:	

This IOType writes the direction of all digital I/O, where 0-7=FIO, 8-15=EIO, and 16-19=CIO. Note that CIO0-2 and MIO0-2 are shared, so for writes to MIO0-2 use channel numbers 16-18. Note that the desired lines must be configured as digital (not analog).

- **WriteMask:** Each bit specifies whether to update the corresponding bit of I/O.
- **Direction:** Each bit of this value corresponds to the specified bit of I/O such that 1=Output and 0=Input. To configure all as input, Direction=d0. For all 20 standard digital I/O as output, Direction=d1048575. To configure FIO0-FIO2 as output, EIO0-EIO2 as output, CIO0 as output, and all other I/O as input (b00010000011100000111), Direction=d67335.

### 5.2.5.15 - DAC# (8-bit): IOType=34,25 [U6 Datasheet]

[Log in](#) or [register](#) to post comments

**Table 5.2.5.15-1.** DAC 8-bit Command Response

DAC# (8-bit), 2 Command Bytes:	
0	IOType = 34, 35
1	Value
0 Response Bytes:	

This IOType controls a single analog output.

- **Value:** 0=Minimum, 255=Maximum.

### 5.2.5.16 - DAC# (16-bit): IOType=38,39 [U6 Datasheet]

[Log in](#) or [register](#) to post comments

**Table 5.2.5.16-1.** DAC 16 bit Command Response

DAC# (16-bit), 3 Command Bytes:	
0	IOType = 38, 39
1	Value LSB
2	Value MSB
0 Response Bytes:	

This IOType controls a single analog output.

- **Value:** 0=Minimum, 65535=Maximum.

### 5.2.5.17 - Timer#: IOType=42,44,46,48 [U6 Datasheet]

[Log in](#) or [register](#) to post comments

**Table 5.2.5.17-1.** Timer Command Response

Timer#, 4 Command Bytes:	
0	IOType = 42, 44, 46, 48
1	Bit 0: UpdateReset
2	Value LSB
3	Value MSB
4 Response Bytes:	
0	Timer LSB
1	Timer
2	Timer
3	Timer MSB

This IOType provides the ability to update/reset a given timer, and read the timer value.

- **Value:** These values are only updated if the UpdateReset bit is 1. The meaning of this parameter varies with the timer mode.
- **Timer:** Returns the value from the timer module. This is the value before reset (if reset was done).

### 5.2.5.18 - Timer#Config: IOType = 43, 45, 47, 49 [U6 Datasheet]

[Log in](#) or [register](#) to post comments

**Table 5.2.5.18-1.** TimerConfig Command Response

Timer#Config, 4 Command	
Bytes:	
0	IOType = 43, 45, 47, 49
1	TimerMode
2	Value LSB
3	Value MSB
0 Response Bytes:	

This IOType configures a particular timer.

- **TimerMode:** See [Section 2.9](#) for more information about the available modes.
- **Value:** The meaning of this parameter varies with the timer mode.

## 5.2.5.19 - Counter#: IOType = 54, 55 [U6 Datasheet]

[Log in](#) or [register](#) to post comments

**Table 5.2.5.19-1.** Counter Command Response

Counter#, 2 Command	
Bytes:	
0	IOType = 54, 55
1	Bit 0: Reset
4 Response Bytes:	
0	Counter LSB
1	Counter
2	Counter
3	Counter MSB

This IOType reads a hardware counter, and optionally can do a reset.

- **Reset:** Setting this bit resets the counter to 0 after reading.
- **Counter:** Returns the current count from the counter if enabled. This is the value before reset (if reset was done).

## 5.2.6 - ReadMem (ReadCal) [U6 Datasheet]

[Log in](#) or [register](#) to post comments

Reads 1 block (32 bytes) from the non-volatile user or calibration memory. Command number 0x2A accesses the user memory area which consists of 512 bytes (block numbers 0-7). Command number 0x2D accesses the calibration memory area consisting of 512 bytes (block numbers 0-15), of which the last 6 blocks are not used. Do not call this function while streaming.

Note that the U6 has 512 Bytes of user memory, but only 256 Bytes are accessible when using the LJ\_chUSER\_MEM function in the UD driver.

**Table 5.2.6-1.** ReadMem command response

Command:	
Byte	
0	Checksum8
1	0xF8
2	0x01
3	0x2A (0x2D)
4	Checksum16 (LSB)
5	Checksum16 (MSB)
6	0x00
7	BlockNum
Response:	
Byte	
0	Checksum8
1	0xF8
2	0x11
3	0x2A (0x2D)
4	Checksum16 (LSB)
5	Checksum16 (MSB)
6	Errorcode
7	0x00
8-39	32 Bytes of Data

## 5.2.7 - WriteMem (WriteCal) [U6 Datasheet]

[Log in](#) or [register](#) to post comments

Writes 1 block (32 bytes) to the non-volatile user or calibration memory. Command number 0x28 accesses the user memory area which consists of 512 bytes (block numbers 0-7). Command number 0x2B accesses the calibration memory area consisting of 512 bytes (block numbers 0-15), of which the last 6 blocks are not used. Memory must be erased before writing. Do not call this function while streaming.

The U6 flash has a rated endurance of at least 20000 writes, which is plenty for reasonable operation, but if this function is called in a high-speed loop the flash could eventually be damaged. In the case of these functions, that means 20000 writes per 32-byte block.

Note that the U6 has 512 Bytes of user memory, but only 256 Bytes are accessible when using the LJ\_chUSER\_MEM function in the UD driver.

**Table 5.2.7-1.** WriteMem Command Response

Command:	
Byte	
0	Checksum8
1	0xF8
2	0x11
3	0x28 (0x2B)
4	Checksum16 (LSB)
5	Checksum16 (MSB)
6	0x00
7	BlockNum
8-39	32 Bytes of Data
Response:	
Byte	
0	Checksum8
1	0xF8
2	0x01
3	0x28 (0x2B)
4	Checksum16 (LSB)
5	Checksum16 (MSB)
6	Errorcode
7	0x00

## 5.2.8 - EraseMem (EraseCal) [U6 Datasheet]

[Log in](#) or [register](#) to post comments

The U6 uses flash memory that must be erased before writing. Command number 0x29 erases the entire user memory area. Command number 0x2C erases the entire calibration memory area. The EraseCal command has two extra constant bytes, to make it more difficult to call the function accidentally. Do not call this function while streaming.

**Table 5.2.8-1.** EraseMem Command Response

Command:	
Byte	
0	Checksum8
1	0xF8
2	0x00 ( 0x01 )
3	0x29 ( 0x2C )
4	Checksum16 (LSB)
5	Checksum16 (MSB)
(6)	(0x4C)
(7)	(0x6C)
Response:	
Byte	
0	Checksum8
1	0xF8
2	0x01
3	0x29 ( 0x2C )
4	Checksum16 (LSB)
5	Checksum16 (MSB)



6	Errorcode
7	0x00

## 5.2.9 - SetDefaults (SetToFactoryDefaults) [U6 Datasheet]

[Log in](#) or [register](#) to post comments

Executing this function causes the current or last used values (or the factory defaults) to be stored in flash as the power-up defaults.

The U6 flash has a rated endurance of at least 20000 writes, which is plenty for reasonable operation, but if this function is called in a high-speed loop the flash could eventually be damaged.

Note: Do **not** call this function while streaming.

**Table 5.2.9-1.** SetDefaults Command Response

Command:	
Byte	
0	Checksum8
1	0xF8
2	0x01
3	0x0E
4	Checksum16 (LSB)
5	Checksum16 (MSB)
6	0xBA (0x82)
7	0x26 (0xC7)
Response:	
Byte	
0	Checksum8
1	0xF8
2	0x01
3	0x0E
4	Checksum16 (LSB)
5	Checksum16 (MSB)
6	Errorcode
7	0x00

## 5.2.10 - ReadDefaults (ReadCurrent) [U6 Datasheet]

[Log in](#) or [register](#) to post comments

Reads the power-up defaults from flash (Read the current configuration).

**Table 5.2.10-1.**

Command:		Power-Up Defaults Address Map			
Byte		Block #	Byte #	Name	Factory
0	Checksum8	0	0-3	Not Used	0x00
1	0xF8	0	4	FIODirection	0x00
2	0x01	0	5	FIOState	0xff
3	0x0E	0	6-7	Not Used	0x00
4	Checksum16 (LSB)	0	8	EIODirection	0x00
5	Checksum16 (MSB)	0	9	EIOState	0xff
6	0x00	0	10-11	Not Used	0x00
7	bits[0:6] BlockNum 0-7	0	12	CIODirection	0x00
	bit 7: 1=ReadCurrent	0	13	CIOSState	0x0f
		0	14-15	Not Used	0x00
Response:		0	16	Config Write Mask	0x01
Byte		0	17	NumOfTimersEnabled	0x00
0	Checksum8	0	18	Counter Mask	0x00
1	0xF8	0	19	Pin Offset	0x00
2	0x11	0	20-31	Not Used	0x00
3	0x0E	1	0 (32)	Clock_Source	0x02
4	Checksum16 (LSB)	1	1 (33)	Divisor	0x00
5	Checksum16 (MSB)	1	2-15 (34-47)	Not Used	0x00
6	Errorcode	1	16 (48)	TMR0 Mode	0x0A
7	0x00	1	17 (49)	TMR0 Value L	0x00
8-39	Data	1	18 (50)	TMR0 Value H	0x00
		1			

	1	19 (51)	Not Used	0x00
	1	20 (52)	TMR1 Mode	0x0A
	1	21 (53)	TMR1 Value L	0x00
	1	22 (54)	TMR1 Value H	0x00
	1	23 (55)	Not Used	0x00
	1	24 (56)	TMR2 Mode	0x0A
	1	25 (57)	TMR2 Value L	0x00
	1	26 (58)	TMR2 Value H	0x00
	1	27 (59)	Not Used	0x00
	1	28 (60)	TMR3 Mode	0x0A
	1	29 (61)	TMR3 Value L	0x00
	1	30 (62)	TMR3 Value H	0x00
	1	31 (63)	Not Used	0x00
	2	0-15 (64-79)	Not Used	0x00
	2	16-17 (80-81)	DAC0 (2 Bytes)	0x00
	2	18-19 (82-83)	Not Used	0x00
	2	20-21 (84-85)	DAC1 (2 Bytes)	0x00
	2	22-31 (86-95)	Not Used	0x00
	3	0-15 (96-111)	AIN Gain/Res	0xF0
	3	16-31 (112-127)	AIN Options	0x00

## 5.2.11 - Reset [U6 Datasheet]

[Log in](#) or [register](#) to post comments

Causes a soft or hard reset. A soft reset consists of re-initializing the USB buffers without re-enumeration. A hard reset is a reboot of the processor and does cause re-enumeration.

**Table 5.2.11-1.** Reset Command Response

<b>Command:</b>		
<b>Byte</b>		
0	Checksum8	
1	0x99	
2	ResetOptions	
		Bit 1: Hard Reset
		Bit 0: Soft Reset
3	0x00	
<b>Response:</b>		
<b>Byte</b>		
0	Checksum8	
1	0x99	
2	0x00	
3	Errorcode	

## 5.2.12 - StreamConfig [U6 Datasheet]

[Log in](#) or [register](#) to post comments

Stream mode operates on a table of channels that are scanned at the specified scan rate. Before starting a stream, you need to call this function to configure the table and scan clock.

**Table 5.1.12-1.** StreamConfig Command Response

<b>Command:</b>			
<b>Byte</b>			
0	Checksum8		
1	0xF8		
2	NumChannels + 4		
3	0x11		
4	Checksum16 (LSB)		
5	Checksum16 (MSB)		
6	NumChannels		
7	ResolutionIndex		
8	SamplesPerPacket (1-25)		
9	Reserved		
10	SettlingFactor		
11	ScanConfig		
		Bit 3: Internal stream clock frequency	
			b0: 4 MHz

			b1: 48 MHz
		Bit 1: Divide Clock by 256	
12-13	Scan Interval (1-65535)		
14	ChannelNumber (Positive)		
15	ChannelOptions		
		Bit 7: Differential	
		Bits 4-5: GainIndex	
Repeated 14-15 for each channel			
<b>Response:</b>			
<b>Byte</b>			
0	Checksum8		
1	0xF8		
2	0x01		
3	0x11		
4	Checksum16 (LSB)		
5	Checksum16 (MSB)		
6	Errorcode		
7	0x00		

- **NumChannels:** This is the number of channels you will sample per scan (1-25).
  - **ResolutionIndex:** Resolution index setting of 0-8. 0 corresponds to 1, and is the most common resolution used in stream mode since the data returned is 16-bits per sample. See Section 3.2 for related information. Stream mode is not supported on the hi-res converter (resolutions 9-12 not supported in stream).
  - **SamplesPerPacket:** Specifies how many samples will be pulled out of the U6 FIFO buffer and returned per data read packet. For faster stream speeds, 25 samples per packet are required for data transfer efficiency. A small number of samples per packet would be desirable for low-latency data retrieval. Note that this parameter is not necessarily the same as the number of channels per scan. Even if only 1 channel is being scanned, SamplesPerPacket will usually be set to 25, so there are usually multiple scans per packet.
  - **SettlingFactor:** Specifies the settling time for all stream channels in 10us increments. If SettlingFactor is set to zero the U6 will attempt to determine the minimum required settling time based on gain and resolution settings. Valid settings are 0 to 255. When set to 0 the U6 will select the minimum required settling time based on gain and resolution settings.
  - **ScanConfig:** Has bits to specify the stream clock.
  - **ScanInterval:** (1-65535) This value divided by the clock frequency defined in the ScanConfig parameter, gives the interval (in seconds) between scans. While streaming the SPC terminal is toggled to provide information about the stream timing: low at start of scan, high at start of sample, low at end of sample, ..., high at end of scan.
  - **ChannelNumber:** This is the positive channel number. 0-143 for analog input channels or 193-224 for digital/timer/counter channels.
  - **ChannelOptions:** If bit 7 is set, a differential reading is done rather than single-ended. Bits 4-5 specify the gain:

Table 5.2.12-2.

	GainIndex	Gain	Max V	Min V
Bipolar	b00 (d0)	1	10.1	-10.6
Bipolar	b01 (d1)	10	1.01	-1.06
Bipolar	b10 (d2)	100	0.101	-0.106
Bipolar	b11 (d3)	1000	0.0101	-0.0106

## 5.2.13 - StreamStart [U6 Datasheet]

[Log in or register](#) to post comments

Once the stream settings are configured, this function is called to start the stream.

Table 5.2.13-1. StreamStart Command Response

<b>Command:</b>	
<b>Byte</b>	
0	0xA8
1	0xA8
<b>Response:</b>	
<b>Byte</b>	
0	Checksum8
1	0xA9
2	Errorcode
3	0x00

## 5.2.14 - StreamData [U6 Datasheet]

[Log in or register](#) to post comments

After starting the stream, the data will be sent as available in the following format. Reads oldest data from buffer.

Table 5.2.14-1. StreamData Response

--	--

Response:	
Byte	
0	Checksum8
1	0xF9
2	4 + SamplesPerPacket
3	0xC0
4	Checksum16 (LSB)
5	Checksum16 (MSB)
6-9	TimeStamp
10	PacketCounter
11	Errorcode
12-13	Sample0
62 (max)	Backlog
63 (max)	0x00

- **SamplesPerPacket:** From StreamConfig function.
- **TimeStamp:** Not currently implemented during normal operation, but after auto-recovery this reports the number of packets missed (1-65535).
- **PacketCounter:** An 8-bit (0-255) counter that is incremented by one for each packet of data. Useful to make sure packets are in order and no packets are missing.
- **Sample#:** Stream data is placed in a FIFO (first in first out) buffer, so Sample0 is the oldest data read from the buffer. The analog input reading is returned justified as a 16-bit value.
- **Backlog:** When streaming, the processor acquires data at precise intervals, and transfers it to a FIFO buffer until it can be sent to the host. This value represents how much data is left in the buffer after this read. The value ranges from 0-255, where 256 would equal 100% full.

Stream mode on the U6 uses a feature called auto-recovery. If the stream buffer gets too full, the U6 will go into auto-recovery mode. In this mode, the U6 no longer stores new scans in the buffer, but rather new scans are discarded. Data already in the buffer will be sent until the buffer contains fewer samples than SamplesPerPacket, and every StreamData packet will have errorcode 59. Once the stream buffer contains less samples than SamplesPerPacket, the U6 will start to buffer new scans again. The next packet returned will have errorcode 60. This packet will have 1 dummy scan where each sample is 0xFFFF, this scan separates new data from any pre auto-recovery data. Note that the dummy scan could be at the beginning, middle, or end of this packet, and can span multiple packets. If the dummy scan spans multiple packets then the packet with error code 60 will contain the end of the dummy scan. Also, the TimeStamp parameter in this packet contains the number of scans that were discarded, allowing correct time to be calculated. The dummy scan counts as one of the missing scans included in the TimeStamp value.

## 5.2.15 - StreamStop [U6 Datasheet]

[Log in](#) or [register](#) to post comments

Stops streaming on the U6

**Table 5.2.16-1.** StreamStop Command Response

Command:	
Byte	
0	0xB0
1	0xB0
Response:	
Byte	
0	Checksum8
1	0xB1
2	Errorcode
3	0x00

## 5.2.16 - Watchdog [U6 Datasheet]

[Log in](#) or [register](#) to post comments

Controls a firmware based watchdog timer. Unattended systems requiring maximum up-time might use this capability to reset the U6 or the entire system. When any of the options are enabled, an internal timer is enabled which resets on any incoming USB communication. If this timer reaches the defined TimeoutPeriod before being reset, the specified actions will occur. Note that while streaming, data is only going out, so some other command will have to be called periodically to reset the watchdog timer.

If the watchdog is accidentally configured to reset the processor with a very low timeout period (such as 1 second), it could be difficult to establish any communication with the device. In such a case, the reset-to-default jumper can be used to turn off the watchdog (sets bytes 7-10 to 0). Power up the U6 with a short from FIO2 to SPC (or VSPC), then remove the jumper and power cycle the device again. This also affects the parameters in the DefaultConfig?? function.

The watchdog settings (bytes 7-10) are stored in non-volatile flash memory, so every call to this function where settings are written causes a flash erase/write. The flash has a rated endurance of at least 20000 writes, which is plenty for reasonable operation, but if this function is called in a high-speed loop the flash could be damaged.

Note: Do **not** call this function while streaming.

**Table 5.2.16-1.** Watchdog Command Response

--	--	--	--

Command:		
Byte		
0	Checksum8	
1	0xF8	
2	0x05	
3	0x09	
4	Checksum16 (LSB)	
5	Checksum16 (MSB)	
6	WriteMask	
		Bit 0: Write
7	WatchdogOptions	
		Bit 5: Reset on Timeout
8-9	TimeoutPeriod	
10	DIOConfig	
		Bit 7: State
		Bit 0-4: DIO#
11	Reserved	
12	Reserved	
13	Reserved	
14	Reserved	
15	Reserved	
Response:		
Byte		
0	Checksum8	
1	0xF8	
2	0x05	
3	0x09	
4	Checksum16 (LSB)	
5	Checksum16 (MSB)	
6	Errorcode	
7	WatchdogOptions	
8-9	Timeout Period	
10	DIOConfig	
11	Reserved	
12	Reserved	
13	Reserved	
14	Reserved	
15	Reserved	

- **WatchdogOptions:** The watchdog is enabled when this byte is nonzero. Set the appropriate bits to reset the device and/or update the state of 1 digital output.
- **TimeoutPeriod:** The watchdog timer is reset to zero on any incoming USB communication. Note that most functions consist of a write and read, but StreamData is outgoing only and does not reset the watchdog. If the watchdog timer is not reset before it counts up to TimeoutPeriod, the actions specified by WatchdogOptions will occur. The watchdog timer has a clock rate of about 1 Hz, so a TimeoutPeriod range of 1-65535 corresponds to about 1 to 65535 seconds.
- **DIOConfig:** Determines which digital I/O is affected by the watchdog, and the state it is set to. The specified DIO must have previously been configured for output. DIO# is a value from 0-19 according to the following: 0-7 => FIO0-FIO7, 8-15 => EIO0-EIO7, and 16-19 => CIO0-CIO3.

## 5.2.17 - SPI [U6 Datasheet]

[Log in](#) or [register](#) to post comments

Sends and receives serial data using SPI synchronous communication.

**Table 5.2.17-1.** SPI Command Response

Command:		
Byte		
0	Checksum8	
1	0xF8	
2	4 + NumSPIWords	
3	0x3A	
4	Checksum16 (LSB)	
5	Checksum16 (MSB)	
6	SPIOptions	
		Bit 7: AutoCS
		Bit 6: DisableDirConfig
		Bits 1-0: SPI Mode (0=A, 1=B, 2=C, 3=D)
7	SPIClockFactor	
8	Adv. Options	Bits 2-0: Number of bits in the final byte.
		Where 0 = 8.
9	CSPinNum	

10	CLKPinNum	
11	MISOPinNum	
12	MOSIPinNum	
13	NumSPIBytesToTransfer	
14	SPIByte0	
...	...	
Response:		
Byte		
0	Checksum8	
1	0xF8	
2	1 + NumSPIWords	
3	0x3A	
4	Checksum16 (LSB)	
5	Checksum16 (MSB)	
6	Errorcode	
7	NumSPIBytesTransferred	
8	SPIByte0	
...	...	

- **NumSPIWords:** This is the number of SPI bytes divided by 2. If the number of SPI bytes is odd, round up and add an extra zero to the packet.
- **SPIOptions:** If AutoCS is true, the CS line is automatically driven low during the SPI communication and brought back high when done. If DisableDirConfig is true, this function does not set the direction of the lines, whereas if it is false the lines are configured as CS=output, CLK=output, MISO=input, and MOSI=output. SPIMode specifies the standard SPI mode as discussed below.
- **SPIClockFactor:** Sets the frequency of the SPI clock according to the following approximate formula:  $\text{Frequency} = 1000000 / (10 + 10 * (256 - \text{SPIClockFactor}))$ , where passing a value of 0 corresponds to a factor of 256, and thus a maximum frequency of about 100 kHz.
- **Advanced Options:** Bit [2:0] allow the number of bits to be transferred during the final byte to be specified, where 0 = 8. This makes it possible to transfer any number of bits within packet size limitations. For example, to transfer 11 bits set the number of bytes to 2 and set bits [2:0] of the advanced options to 3. The LabJack will transfer a full byte of 8 bits, then transfer 3 more bits. The 3 most significant bits in the final byte will be sent and data read during those bits will be in the most significant bits of the final byte in the data. This feature requires firmware 1.21.
- **CS/CLK/MISO/MOSI -PinNum:** Assigns which digital I/O line is used for each SPI line. Value passed is 0-19 corresponding to the normal digital I/O numbers as specified in Section 2.8.
- **NumSPIBytesToTransfer:** Specifies how many SPI bytes will be transferred (1-50).

The initial state of SCK is set properly (CPOL), by this function, before CS (chip select) is brought low (final state is also set properly before CS is brought high again). If CS is being handled manually, outside of this function, care must be taken to make sure SCK is initially set to CPOL before asserting CS.

All standard SPI modes supported (A, B, C, and D).

Mode A: CPOL=0, CPHA=0

Mode B: CPOL=0, CPHA=1

Mode C: CPOL=1, CPHA=0

Mode D: CPOL=1, CPHA=1

If Clock Phase (CPHA) is 1, data is valid on the edge going to CPOL. If CPHA is 0, data is valid on the edge going away from CPOL. Clock Polarity (CPOL) determines the idle state of SCK.

Up to 50 bytes can be written/read. Communication is full duplex so 1 byte is read at the same time each byte is written.

## 5.2.18 - AsynchConfig [U6 Datasheet]

[Log in](#) or [register](#) to post comments

Configures the U6 UART for asynchronous communication. Communication is in the common 8/n/1 format. Similar to RS232, except that the logic is normal CMOS/TTL. Connection to an RS232 device will require a converter chip such as the MAX233, which inverts the logic and shifts the voltage levels.

The TX (transmit) and RX (receive) lines appear on FIO/EIO after any timers and counters, so with no timers/counters enabled, and pin offset set to 0, TX=FIO0 and RX=FIO1.

**Table 5.2.18-1.** AsynchConfig Command Response

Command:		
Byte		
0	Checksum8	
1	0xF8	
2	0x02	
3	0x14	
4	Checksum16 (LSB)	
5	Checksum16 (MSB)	
6	0x00	
7	AsynchOptions	
		Bit 7: Update
		Bit 6
		:UARTEnable

		Bit 5: Reserved
8-9	BaudFactor16	
Response:		
Byte		
0	Checksum8	
1	0xF8	
2	0x02	
3	0x14	
4	Checksum16 (LSB)	
5	Checksum16 (MSB)	
6	Errorcode	
7	AsynchOptions	
8-9	BaudFactor16	

- **AsynchOptions:**

**Bit 7: Update** If true, the new parameters are written (otherwise just a read is done).

**Bit 6: UARTEnable** If true, the UART module is enabled. Note that no data can be transferred until pins have been assigned to the UART module using the ConfigIO function.

- **BaudFactor16:** This 16-bit value sets the baud rate according to the following formula:  $\text{BaudFactor16} = 2^6 - 48000000 / (2 * \text{Desired Baud})$ . For example, a BaudFactor16 = 63036 provides a baud rate of 9600 bps.

## 5.2.19 - AsynchTX [U6 Datasheet]

[Log in](#) or [register](#) to post comments

Sends bytes to the U6 UART which will be sent asynchronously on the transmit line.

**Table 5.2.19-1.** AsynchTX Command Response

Command:		
Byte		
0	Checksum8	
1	0xF8	
2	1 + NumAsynchWords	
3	0x15	
4	Checksum16 (LSB)	
5	Checksum16 (MSB)	
6	0x00	
7	NumAsynchBytesToSend	
8	AsynchByte0	
...	...	
Response:		
Byte		
0	Checksum8	
1	0xF8	
2	0x02	
3	0x15	
4	Checksum16 (LSB)	
5	Checksum16 (MSB)	
6	Errorcode	
7	NumAsynchBytesSent	
8	NumAsynchBytesInRXBuffer	
9	0x00	

- **NumAsynchWords:** This is the number of asynch data bytes divided by 2. If the number of bytes is odd, round up and add an extra zero to the packet.
- **NumAsynchBytesToSend:** Specifies how many bytes will be sent (0-56).
- **NumAsynchBytesInRXBuffer:** Returns how many bytes are currently in the RX buffer.

## 5.2.20 - AsynchRX [U6 Datasheet]

[Log in](#) or [register](#) to post comments

Reads the oldest 32 bytes from the U6 UART RX buffer (received on receive terminal). The buffer holds 256 bytes.

**Table 5.2.20-1.** AsynchRX Command Response

Command:		
Byte		
0	Checksum8	
1	0xF8	
2	0x01	

4	Checksum16 (LSB)
5	Checksum16 (MSB)
6	0x00
7	Flush
<b>Response:</b>	
<b>Byte</b>	
0	Checksum8
1	0xF8
2	0x11
3	0x16
4	Checksum16 (LSB)
5	Checksum16 (MSB)
6	Errorcode
7	NumAsynchBytesInRXBuffer
8	AsynchByte0
...	...
39	AsynchByte31

- **Flush:** If nonzero, the entire 256-byte RX buffer is emptied. If there are more than 32 bytes in the buffer that data is lost.
- **NumAsynchBytesInRXBuffer:** Returns the number of bytes in the buffer before this read.
- **AsynchByte#:** Returns the 32 oldest bytes from the RX buffer.

## 5.2.21 - I<sup>2</sup>C [U6 Datasheet]

[Log in](#) or [register](#) to post comments

Sends and receives serial data using I<sup>2</sup>C (I2C) synchronous communication.

**Table 5.2.21-1.** I2C Command Response

<b>Command:</b>	
<b>Byte</b>	
0	Checksum8
1	0xF8
2	4 + NumI2CWordsSend
3	0x3B
4	Checksum16 (LSB)
5	Checksum16 (MSB)
6	I2COptions
Bits 7-4: Reserved	
Bit 3: Enable Clock Stretching	
Bit 2: No Stop when restarting	
Bit 1: ResetAtStart	
Bit 0: Reserved	
7	SpeedAdjust
8	SDAPinNum
9	SCLPinNum
10	AddressByte
11	Reserved
12	NumI2CBytesToSend
13	NumI2CBytesToReceive
14	I2CByte0
...	...
<b>Response:</b>	
<b>Byte</b>	
0	Checksum8
1	0xF8
2	3 + NumI2CWordsReceive
3	0x3B
4	Checksum16 (LSB)
5	Checksum16 (MSB)
6	Errorcode
7	Reserved
8	AckArray0
9	AckArray1
10	AckArray2
11	AckArray3
12	I2CByte0
...	...

- **NumI2CWordsSend:** This is the number of I<sup>2</sup>C bytes to send divided by 2. If the number of bytes is odd, round up and add an extra zero to the packet. This parameter is actually just to specify the size of this packet, as the NumI2CBytesToSend parameter below actually specifies how many bytes will be sent.
- **I2COptions:** If ResetAtStart is true, an I<sup>2</sup>C bus reset will be done before communicating.



- **SpeedAdjust:** Allows the communication frequency to be reduced. 0 is the maximum speed of about 150 kHz. 20 is a speed of about 70 kHz. 255 is the minimum speed of about 10 kHz.
- **SDAP/SCLP -PinNum:** Assigns which digital I/O line is used for each I<sup>2</sup>C line. Value passed is 0-19 corresponding to the normal digital I/O numbers as specified in [Section 2.8](#). Note that the screw terminals labeled “SDA” and “SCL” on hardware revision 1.20 or 1.21 are not used for I<sup>2</sup>C. Note that the I<sup>2</sup>C bus generally requires pull-up resistors of perhaps 4.7 kΩ from SDA to Vs and SCL to Vs.
- **AddressByte:** This is the first byte of data sent on the I<sup>2</sup>C bus. The upper 7 bits are the address of the slave chip and bit 0 is the read/write bit. Note that the read/write bit is controlled automatically by the LabJack, and thus bit 0 is ignored.
- **NumI2CBytesToSend:** Specifies how many I<sup>2</sup>C bytes will be sent (0-50).
- **NumI2CBytesToReceive:** Specifies how many I<sup>2</sup>C bytes will be read (0-52).
- **I2Cbyte#:** In the command, these are the bytes to send. In the response, these are the bytes read.
- **NumI2CWordsReceive:** This is the number of I<sup>2</sup>C bytes to receive divided by 2. If the number of bytes is odd, the value is rounded up and an extra zero is added to the packet. This parameter is actually just to specify the size of this packet, as the NumI2CbytesToReceive parameter above actually specifies how many bytes to read.
- **AckArray#:** Represents a 32-bit value where bits are set if the corresponding I<sup>2</sup>C write byte was ACKed. Useful for debugging up to the first 32 write bytes of communication. Bit 0 corresponds to the last data byte, bit 1 corresponds to the second to last data byte, and so on up to the address byte. So if n is the number of data bytes, the ACK value should be  $(2^{(n+1)})-1$ .

## 5.2.22 - SHT1X [U6 Datasheet]

[Log in](#) or [register](#) to post comments

Reads temperature and humidity from a Sensirion SHT1X sensor (which is used by the EI-1050). For more information, see the [EI-1050 datasheet](#) and the SHT1X datasheet from sensirion.com.

**Table 5.2.22-1.** SHT1X Command Response

<b>Command:</b>	
<b>Byte</b>	
0	Checksum8
1	0xF8
2	0x02
3	0x39
4	Checksum16 (LSB)
5	Checksum16 (MSB)
6	DataPinNum (0-19)
7	ClockPinNum (0-19)
8	Reserved
9	Options
<b>Response:</b>	
<b>Byte</b>	
0	Checksum8
1	0xF8
2	0x05
3	0x39
4	Checksum16 (LSB)
5	Checksum16 (MSB)
6	Errorcode
7	0x00
8	StatusReg
9	StatusRegCRC
10-11	Temperature
12	TemperatureCRC
13-14	Humidity
15	HumidityCRC

- **Data/Clock -PinNum:** Assigns which digital I/O line is used for each SPI line. Value passed is 0-7 corresponding to FIO0-FIO7. State and direction are controlled automatically for the specified lines.
- **StatusReg:** Returns a read of the SHT1X status register.
- **Temperature:** Returns the raw binary temperature reading.
- **Humidity:** Returns the raw binary humidity reading.
- **#CRC:** Returns the CRC values from the sensor.
- **Options:**
  - Bit 7: Read Humidity
  - Bit 6: Read Temperature
  - Bit 5-3: Reserved, write 0
  - Bit 2: Enable Heater
  - Bit 1: Reserved, write 0
  - Bit 0: Resolution. 1 = 8-bit RH and 12-bit Temp, 0 = 12-bit RH and 14-bit Temp

## 5.2.23 - 1-Wire [U6 Datasheet]

[Log in](#) or [register](#) to post comments

This function performs 1-Wire communication.

Firmware 1.17 or higher is required to use this function.

For additional information on how to use this function, please see the [1-Wire App Note](#)

**Table 5.2.23-1.** 1-Wire Command Response

<b>Command:</b>		
<b>Byte</b>		
0	Csum8	
1	0xF8	
2	0x1D	
3	0x3C	
4	Csum16 L	
5	Csum16 H	
6	Options	
		Bit 0: DPU Control Enable
		Bit 1: DPU Polarity
		Bit 2: DPU Idle
7	Reserved	
8	Sense Pin	
9	DPU Pin	
10	Reserved	
11	ROM Function	
12	ROM0 (LSB)	
13	ROM1	
14	ROM2	
15	ROM3	
16	ROM4	
17	ROM5	
18	ROM6	
19	ROM7 (MSB)	
20	Reserved	
21	Num TX	
22	Reserved	
23	Num RX	
24	TX Byte 0	
...	...	
63	TX Byte 39	
<b>Response:</b>		
<b>Byte</b>		
0	Csum8	
1	0xF8	
2	0x1D	
3	0x3C	
4	Csum16 L	
5	Csum16 H	
6	Error Code	
7	Reserved	
8	Reserved	
9	Warnings	
		Bit 0: No Devices Detected
		Bit 1: Type 1 interrupt (Not Tested)
		Bit 2: Type 2 interrupt (Not Supported)
10	Reserved	
11	Reserved	
16	Data 0	
...	...	
63	Data 47	

**Options:** This byte provides control of the dynamic pull-up.

Bit 0: enables control of the DPU line.

Bit 1: sets the polarity of the switch. 1 = high on the specified DIO turns the switch on.

Bit 2: sets the idle state. 1 = DPU on while IDLE.

**Sense Pin:** This is the DIO on the LabJack that is connected to the data line of the 1-wire bus.

**DPU Pin:** This is the DIO line that will control the dynamic pull-up if enabled in the options byte.

**ROM Function:** This byte specifies the function to be performed on the 1-wire bus.

**ROM[0:7]:** This is the ROM of the target device or search path.

**Num TX:** This is the number of data bytes to transmit.

**Num RX:** This is the number of data bytes to receive.

Depending on the ROM function used the data returned can have different meanings. Refer to the following table for data definitions.

Table 5.2.23-2.

ROM Function:	Number	Parameter	Data Returned	
		ROM	Bytes 0-7	Bytes 8-15
Search ROM	0xF0	List of branches to take.	Discovered ROM Code	1s indicate detected branches.
Read ROM	0x33	None	ROM read from device	
Match ROM	0x55	The specific ROM		
Skip ROM	0xCC			
Alarm Search	0xEC			

## 5.2.24 - StreamAddChannels

[Log in](#) or [register](#) to post comments

This function can be used to add channels beyond the 25 provided in StreamConfig.

Table 5.2.24-1. StreamAddChannels

Command:	
Byte	
0	Checksum8
1	0xF9
2	
3	0x12
4	Checksum16 (LSB)
5	Checksum16 (MSB)
6	NumberEntriesToAdd
7	TableIndexStart
8	ChannelNumber (Positive)
9	ChannelOptions
	Repeated 14-15 for each channel
Response:	
	Checksum8
	0xF8
	0x01
	0x12
	Checksum16 (LSB)
	Checksum16 (MSB)
	Errorcode
	0x00

- **NumberEntriesToAdd:** The number of entries which will be added to the stream table.
- **TableIndexStart:** Index in the stream table where the first entry in this packet will be added. Additional entries will be added sequentially.
- **ChannelNumber (Positive):** Reference StreamConfig for details of this parameter.
- **ChannelOptions:** Reference StreamConfig for details of this parameter.

Stream mode can support up to 128 channels. The Stream config function can be used to load the first 25. For more than 25 use this function.

## 5.3 - Errorcodes [U6 Datasheet]

[Log in](#) or [register](#) to post comments

Table 5.3-1. low-level function errorcodes.

Error	Code (HEX)	Code (DEC)
SCRATCH_WRT_FAIL	0x01	1
SCRATCH_ERASE_FAIL	0x02	2
DATA_BUFFER_OVERFLOW	0x03	3
ADC0_BUFFER_OVERFLOW	0x04	4
FUNCTION_INVALID	0x05	5
SWDT_TIME_INVALID	0x06	6
XBR_CONFIG_ERROR	0x07	7
FLASH_WRITE_FAIL	0x10	16
FLASH_ERASE_FAIL	0x11	17

FLASH_JMP_FAIL	0x12	18
FLASH_PSP_TIMEOUT	0x13	19
FLASH_ABORT_RECIEVED	0x14	20
FLASH_PAGE_MISMATCH	0x15	21
FLASH_BLOCK_MISMATCH	0x16	22
FLASH_PAGE_NOT_IN_CODE_AREA	0x17	23
MEM_ILLEGAL_ADDRESS	0x18	24
FLASH_LOCKED	0x19	25
INVALID_BLOCK	0x1A	26
FLASH_ILLEGAL_PAGE	0x1B	27
FLASH_TOO_MANY_BYTES	0x1C	28
FLASH_INVALID_STRING_NUM	0x1D	29
SMBUS_INQ_OVERFLOW	0x20	32
SMBUS_OUTQ_UNDERFLOW	0x21	33
SMBUS_CRC_FAILED	0x22	34
SHT1x_COMM_TIME_OUT	0x28	40
SHT1x_NO_ACK	0x29	41
SHT1x_CRC_FAILED	0x2A	42
SHT1X_TOO_MANY_W_BYTES	0x2B	43
SHT1X_TOO_MANY_R_BYTES	0x2C	44
SHT1X_INVALID_MODE	0x2D	45
SHT1X_INVALID_LINE	0x2E	46
STREAM_IS_ACTIVE	0x30	48
STREAM_TABLE_INVALID	0x31	49
STREAM_CONFIG_INVALID	0x32	50
STREAM_BAD_TRIGGER_SOURCE	0x33	51
STREAM_NOT_RUNNING	0x34	52
STREAM_INVALID_TRIGGER	0x35	53
STREAM_ADC0_BUFFER_OVERFLOW	0x36	54
STREAM_SCAN_OVERLAP	0x37	55
STREAM_SAMPLE_NUM_INVALID	0x38	56
STREAM_BIPOLAR_GAIN_INVALID	0x39	57
STREAM_SCAN_RATE_INVALID	0x3A	58
STREAM_AUTORECOVER_ACTIVE	0x3B	59
STREAM_AUTORECOVER_REPORT	0x3C	60
STREAM_SOFTPWM_ON	0x3D	61
STREAM_INVALID_RESOLUTION	0x3F	63
PCA_INVALID_MODE	0x40	64
PCA_QUADRATURE_AB_ERROR	0x41	65
PCA_QUAD_PULSE_SEQUENCE	0x42	66
PCA_BAD_CLOCK_SOURCE	0x43	67
PCA_STREAM_ACTIVE	0x44	68
PCA_PWMSTOP_MODULE_ERROR	0x45	69
PCA_SEQUENCE_ERROR	0x46	70
PCA_LINE_SEQUENCE_ERROR	0x47	71
TMR_SHARING_ERROR	0x48	72
EXT_OSC_NOT_STABLE	0x50	80
INVALID_POWER_SETTING	0x51	81
PLL_NOT_LOCKED	0x52	82
INVALID_PIN	0x60	96
PIN_CONFIGURED_FOR_ANALOG	0x61	97
PIN_CONFIGURED_FOR_DIGITAL	0x62	98
IOTYPE_SYNCH_ERROR	0x63	99
INVALID_OFFSET	0x64	100
IOTYPE_NOT_VALID	0x65	101
INVALID_CODE	0x66	102
UART_TIMEOUT	0x70	112
UART_NOTCONNECTED	0x71	113
UART_NOTENALBED	0x72	114
I2C_BUS_BUSY	0x74	116
TOO_MANY_BYTES	0x76	118
TOO_FEW_BYTES	0x77	119
DSP_PERIOD_DETECTION_ERROR	0x80	128
DSP_SIGNAL_OUT_OF_RANGE	0x81	129
MODBUS_RSP_OVERFLOW	0x90	144
MODBUS_CMD_OVERFLOW	0x91	145

## 5.4 - Calibration Constants [U6 Datasheet]

[Log in](#) or [register](#) to post comments

This information is only needed when using low-level functions and other ways of getting binary readings. Readings in volts already have the calibration constants applied. The UD driver, for example, normally returns voltage readings unless binary readings are specifically requested.

### Calibration Constant

The majority of the U6's analog interface functions return or require binary values. Converting between binary and voltages requires the use of calibration constants and formulas.

When using Modbus the U6 will apply calibration automatically, so voltages are sent to and read from the U6, formatted as a float.

### Which Constants Should I Use?

The calibration constants stored on the U6 can be categorized as follows:

- Analog Input
- Analog Output
- Current Source
- Internal Temperature

Analog Input: The U6 has 4 gains and the pro has a 24-bit sigma-delta converter, so total of eight calibrations are provided: one for each gain for each converter. The U6 uses multiplexed channels connected to a differential input amp so, single ended and differential readings use the same calibration.

Analog Output: Only two calibrations are provided, one for DAC0 and one for DAC1.

Current Source: Two calibrations are provided, one for Iout0 and one for Iout1. The calibrations are the number of amps measured during calibration. These are just a number; there is no related formula.

Internal Temperature: This calibration is applied to a reading from channel 14 (internal temp) after the binary has been converted to Volts.

### U6 Input Ranges

The U6 has a total of 8 input ranges. Four single ended and four differential. The eight ranges are:

**Table 5.4-1.** Input Ranges

<b>Range</b>	<b>Max V</b>	<b>Min V</b>
<b>Single-Ended ±10V</b>	10.1	-10.58
<b>Single-Ended ±1V</b>	1.01	-1.06
<b>Single-Ended ±100mV</b>	101mV	-106mV
<b>Single-Ended ±10mV</b>	10.1mV	-10.06mV
<b>Differential ±10V</b>	10.1	-10.58
<b>Differential ±1V</b>	1.01	-1.06
<b>Differential ±100mV</b>	101mV	-106mV
<b>Differential ±10mV</b>	10.1mV	-10.06mV

Note that the minimum differential input voltage of -10.58 volts means that the positive channel can be as much as 10.58 volts less than the negative channel, not that the positive channel can be +10 and the negative -10 as this results in a +20V signal which is outside the range that the U6 can measure. The voltage of any analog input pin, compared to ground, must be in the range -10.58 to +10.10 volts.

### U6 Calibration Formulas (Analog In)

Depending on how an analog reading is obtained either 16 or 24 bits are returned. All readings and the calibration constants are 16-bit aligned. This means that 24-bit values must be justified to 16-bit values before applying a calibration. To justify a 24-bit value to 16-bits divided it by 256 and store it as floating point, so that the information in the lower 8-bits is retained. The approximate nominal conversion from binary to voltage is:

$$\text{Volts(uncalibrated)} = (\text{Bits}/65536) * \text{Span (Single-Ended)}$$

$$\text{Volts(uncalibrated)} = (\text{Bits}/65536) * \text{Span} - \text{Span}/2 \text{ (Differential)}$$

Binary readings are always unsigned integers.

Where span is the maximum voltage minus the minimum voltage from the tables above. The actual nominal constants are provided in the tables below, and should be used if the actual calibration constants are not read for some reason. Most applications will use the actual calibrations constants (PositiveSlope, Offset, Center, NegativeSlope) stored in the internal flash.

$$\text{if}(\text{Bits} < \text{Center}) \\ \text{Volts} = (\text{Center} - \text{Bits}) * \text{NegativeSlope}$$

else  
 $\text{Volts} = (\text{Bits} - \text{Center}) * \text{PositiveSlope}$

The offset calibration has been provided so that the same simple formula used on the U3 and UE9 can be used on the U6. When using the simple formula negative values will be off by a few bits (up to 5 bits in testing, but this value has not been characterized). The simple formula is:

$\text{Volts} = (\text{Slope} * \text{Bits}) + \text{Offset}$

### U6 Calibration Formulas (Analog Out)

Writing to the U6's DAC require that the desired voltage be converted into a binary value. To convert the desired voltage to binary select the Slope and Offset calibration constants for the DAC being used and plug into the following formula.

$\text{Bits} = (\text{DesiredVolts} * \text{Slope}) + \text{Offset}$

### U6 Calibration Formulas (Internal Temp)

Internal Temperature can be obtained by reading channel 14, applying the proper voltage conversion then using the following formula.

$\text{Temp (K)} = (\text{Volts} * \text{TemperatureSlope}) + \text{TemperatureOffset}$

### U6 Calibration Constants

Below are the various calibration values are stored in the Mem area. Generally when communication is initiated with the U6, ten calls will be made to the ReadMem function to retrieve the first 10 blocks of memory. This information can then be used to convert all analog input readings to voltages. The high level Windows DLL (LabJackUD) does this automatically.

**Table 5.4-2.** Calibration Constants

<b>Block #</b>	<b>Starting Byte</b>	<b>Normal ADC</b>	<b>Nominal Value</b>
0	0	AIN ±10V Slope	0.00031580578
0	8	AIN ±10V Offset	-10.58695652
0	16	AIN ±1V Slope	0.000031580578
0	24	AIN ±1V Offset	-1.058695652
1	0	AIN ±100mV Slope	0.0000031580578
1	8	AIN ±100mV Offset	-0.1058695652
1	16	AIN ±10mV Slope	0.00000031580578
1	24	AIN ±10mV Offset	-0.01058695652
2	0	AIN ±10V NegativeSlope	-0.0003158058
2	8	AIN ±10V Center	33523
2	16	AIN ±1V NegativeSlope	-0.00003158058
2	24	AIN ±1V Center	33523
3	0	AIN ±100mV NegativeSlope	-0.000003158058
3	8	AIN ±100mV Center	33523
3	16	AIN ±10mV NegativeSlope	-0.0000003158058
3	24	AIN ±10mV Center	33523
<b>Block #</b>	<b>Starting Byte</b>	<b>Miscellaneous</b>	<b>Nominal Value</b>
4	0	DAC0 Slope	13200
4	8	DAC0 Offset	0
4	16	DAC1 Slope	13200
4	24	DAC1 Offset	0
5	0	Current Output 0	0.00001
5	8	Current Output 1	0.0002
5	16	Temperature Slope	-92.379
5	24	Temperature Offset	465.129
<b>Block #</b>	<b>Starting Byte</b>	<b>Hi-Res ADC (U6-Pro)</b>	<b>Nominal Value</b>
6	0	AIN ±10V Slope	0.00031580578
6	8	AIN ±10V Offset	-10.58695652
6	16	AIN ±1V Slope	0.000031580578
6	24	AIN ±1V Offset	-1.058695652
7	0	AIN ±100mV Slope	0.0000031580578
7	8	AIN ±100mV Offset	-0.1058695652
7	16	AIN ±10mV Slope	0.00000031580578
7	24	AIN ±10mV Offset	-0.01058695652

8	0	AIN ±10V NegativeSlope	-0.0003158058
8	8	AIN ±10V Center	33523
8	16	AIN ±1V NegativeSlope	-0.00003158058
8	24	AIN ±1V Center	33523
9	0	AIN ±100mV NegativeSlope	-0.000003158058
9	8	AIN ±100mV Center	33523
9	16	AIN ±10mV NegativeSlope	-0.0000003158058
9	24	AIN ±10mV Center	33523

### Format of the Calibration Constants

Each value is stored in 64-bit fixed point format (signed 32.32 little endian, 2's complement). Following are some examples of fixed point arrays and the associated floating point double values.

**Table 5.4-3.** Calibration Constants Format

Fixed Point Byte Array(LSB, ..., MSB)	Floating Point Double
{0,0,0,0,0,0,0,0}	0
{0,0,0,0,1,0,0,0}	1
{0,0,0,0,255,255,255,255}	-1
{51,51,51,51,0,0,0,0}	0.2
{205,204,204,204,255,255,255,255}	-0.2
{73,20,5,0,0,0,0,0}	0.000077503
{225,122,20,110,2,0,0,0}	2.43
{102,102,102,38,42,1,0,0}	298.15

## Appendix A - Specifications [U6 Datasheet]

[Log in](#) or [register](#) to post comments

Specifications at 25 degrees C and  $V_{usb}/V_{ext} = 5.0V$ , except where noted.

Parameter	Conditions	Min	Typical	Max	Units
<b>General</b>					
USB Cable Length				5	meters
Supply Voltage (1)		4.75	5	5.25	volts
Supply Current (2)			100		mA
Operating Temperature		-40		85	°C
Clock Error	~ 25 °C			±30	ppm
	-10 to 60 °C			±50	ppm
	-40 to 85 °C			±100	ppm
Typ. Command Execution Time (3)	USB High-High	0.6			ms
	USB Other	4			ms
<b>Vs Outputs</b>					
Typical Voltage (4)	Self-Powered	4.75	5	5.25	volts
	Bus-Powered	4.8	5	5.25	volts
Maximum Current (4)	Self-Powered		400		mA
	Bus-Powered		0		mA
<b>Vm+/Vm- Outputs</b>					
Typical Voltage	No-load		±13		volts
	@ 2.5 mA		±12		volts
Maximum Current			2.5		mA
<b>10UA &amp; 200UA Current Outputs</b>					
Absolute Accuracy (5)	~ 25 °C		±0.1	±0.2	%
Temperature Coefficient	See Section 2.5				ppm/°C
Maximum Voltage			VS - 2.0		volts

(1) Device should operate down to about 3.5 volts, with the following considerations. The hi-res converter on the U6-Pro is not specified for operation below 4.75 volts. The voltage drive capability of the current sources will be reduced. The maximum output of the DACs will be limited by VS. The input range of the analog inputs will be reduced approximately 3 volts for each 1 volt that VS is

below 4.5 volts

- (2) Typical current drawn by the U6 itself, not including any user connections
- (3) Total typical time to execute a single Feedback function with no analog inputs. Measured by timing a Windows application that performs 1000 calls to the Feedback function. See [Section 3.1](#) for more timing information
- (4) These specifications are related to the power provided by the host/hub. Self- and bus-powered describes the host/hub, not the U6. Self-powered would apply to USB hubs with a power supply, all known desktop computer USB hosts, and some notebook computer USB hosts. An example of bus powered would be a hub with no power supply, or many PDA ports. The current rating is the maximum current that should be sourced through the U6 and out of the Vs terminals
- (5) This is compared to the value stored during factory calibration

Parameter	Conditions	Min	Typical	Max	Units
<b>Analog Inputs</b>					
Typical Input Range (6)	Gain=1	-10.6		10.1	volts
	Gain=10	-1.06		1.01	volts
	Gain=100	-0.106		0.101	volts
	Gain=1000	-0.0106		0.0101	volts
Max AIN Voltage to GND (7)	Valid Readings	-11.5		11.5	volts
Max AIN Voltage to GND (8)	No Damage	-20		20	volts
Input Bias Current (9)			20		nA
Input Impedance (9)			1		GΩ
Source Impedance (9)			1		kΩ
Integral Linearity Error	Range=10, 1, 0.1			±0.01	% FS
	Range=10			±0.1	% FS
Absolute Accuracy	Range=±10, ±1, ±0.1			±0.01	% FS
	Range=±10			±2000	μV
	Range=±1			±200	μV
	Range=±0.1			±20	μV
	Range=±0.01			±0.1	% FS
	Range=±0.01			±20	μV
Temperature Drift			15		ppm/°C
Channel Crosstalk (10)	< 1kHz		-100		dB
	1kHz - 50kHz		20		dB/dec
Noise (Peak-To-Peak)	See <a href="#">Appendix B</a>			<1	μV
Effective Resolution (RMS)	See <a href="#">Appendix B</a>			22	bits
Noise-Free Resolution	See <a href="#">Appendix B</a>			20	bits
Command/Response Speed	See <a href="#">Section 3.1</a>				
Stream Performance	See <a href="#">Section 3.2</a>				
(6) Differential or single-ended					
(7) This is the maximum voltage on any AIN pin compared to ground for valid measurements on that channel. For single-ended readings on the channel itself, inputs are limited by the "Typical Input Range" above, and for differential readings consult the signal range tables in <a href="#">Section 2.6.5</a> . Further, if a channel has over 13.0 volts compared to ground, readings on other channels could be affected. Because all even channels are on 1 front-end mux, and all odd channels on a 2nd front-end mux, an overvoltage (>13V) on a single channel will generally affect only even or only odd channels.					
(8) Maximum voltage, compared to ground, to avoid damage to the device. Protection level is the same whether the device is powered or not. This spec is continuous. The device can handle brief transients with much higher voltages (e.g. ESD).					
(9) The key specification here is the maximum source impedance. As long as the source impedance is not over this value, there will be no substantial errors due to impedance problems. For source impedance greater than this value, there are two error sources that need to be considered. First, there is a simple offset error due to the input bias current flowing through the source impedance. Second, if sampling more than 1 channel, there can be a more complex settling error if the analog input system needs to quickly swing from one voltage to another. Required settling time to meet specifications can depend on the source impedance of the signal, channel order, resolution index, and gain/range.					
(10) Typical crosstalk on a grounded AIN pin, with 20Vpp sine wave on adjacent AIN pin. An adjacent AIN pin refers to multiplexer channel location not channel number, e.g. AIN0-AIN2 or AIN1-AIN3 pairs.					
Parameter	Conditions	Min	Typical	Max	Units



<b>Analog Outputs (DAC)</b>				
Nominal Output Range (11)	No Load	0.04	4.95	volts
	@ ±2.5 mA	0.255	4.775	volts
Resolution			12	bits
Absolute Accuracy	5% to 95% FS		±0.1	% FS
Integral Linearity Error			±0.35	±1 counts
Differential Linearity Error			±0.1	±0.5 counts
Error Due To Loading	@ 100 µA		0.1	%
	@ 1 mA		1	%
Source Impedance			50	Ω
Short Circuit Current (12)	Max to GND		50	mA
Time Constant			300	µs
<b>Digital I/O, Timers, Counters</b>				
Low Level Input Voltage		-0.3	0.8	volts
High Level Input Voltage		2	5.8	volts
Maximum Input Voltage (13)	FIO	-10	10	volts
	EIO/CIO	-6	6	volts
Output Low Voltage (14)	No Load		0	volts
--- FIO	Sinking 1 mA		0.55	volts
--- EIO/CIO	Sinking 1 mA		0.18	volts
--- EIO/CIO	Sinking 5 mA		0.9	volts
Output High Voltage (14)	No Load		3.3	volts
--- FIO	Sourcing 1 mA		2.75	volts
--- EIO/CIO	Sourcing 1 mA		3.12	volts
--- EIO/CIO	Sourcing 5 mA		2.4	volts
Short Circuit Current (14)	FIO		6	mA
	EIO/CIO		16	mA
Output Impedance (14)	FIO		550	Ω
	EIO/CIO		180	Ω
Counter Input Frequency (15)			8	MHz
Input Timer Total Edge Rate (16)	No Stream		30000	edges/s
	While Streaming		7000	edges/s
(11) Maximum and minimum analog output voltage is limited by the supply voltages (Vs and GND). The specifications assume Vs is 5.0 volts. Also, the ability of the DAC output buffer to driver voltages close to the power rails, decreases with increasing output current, but in most applications the output is not sinking/source much current as the output voltage approaches GND.				
(12) Continuous short circuit will not cause damage.				
(13) Maximum voltage to avoid damage to the device. Protection works whether the device is powered or not, but continuous voltages over 5.8 volts or less than -0.3 volts are not recommended when the U3 is unpowered, as the voltage will attempt to supply operating power to the U3 possibly causing poor start-up behavior.				
(14) These specifications provide the answer to the question. "How much current can the digital I/O sink or source?". For instance, if EIO0 is configured as output-high and shorted to ground, the current sourced by EIO0 is configured as output-high and shorted to ground, the current sourced by EIO0 into ground will be about 16 mA (3.3/180). If connected to a load that draws 5 mA, EIO0 can provide that current but the voltage will droop to about 2.4 volts instead of the nominal 3.3 volts. If connected to a 180 ohm load to ground, the resulting voltage and current will be about 1.65 volts @ 9 mA.				
(15) Hardware counters. 0 to 3.3 volt square wave.				
(16) To Avoid missing edges, keep the total number of applicable edges on all applicable timers below this limit. See Section 2.9 for more information.				

## Appendix B - Noise and Resolution Tables [U6 Datasheet]

[Log in](#) or [register](#) to post comments

### A Note About ADC Noise and Resolution

Analog voltages measured by the U6 are converted to digital representation via the U6's analog to digital converter (ADC). The ADC reports an analog voltage in terms of ADC counts, where a single ADC count is the smallest change in voltage that will affect the reported ADC value. A single ADC count is also known as the converter's LSB voltage. The ADC's resolution defines the number of discrete voltages represented over a given input range. For example, a 16-bit ADC with a +/-10 input range can report 65536 discrete voltages ( $2^{16}$ ) and has an LSB voltage of 0.305 mV ( $20V \div 2^{16}$ ).

The stated resolution for an ADC is a best case value, assuming no channel noise. In reality, every ADC works in conjunction with external circuitry (amplifiers, filters, ect.) which all posses some level of inherent noise. The noise of supporting hardware, in addition to noise of the ADC itself, all contribute to the channel resolution. In general, the resolution for an ADC and supporting hardware will be less than what is stated for the ADC. The combined resolution for an in-system ADC is termed effective resolution (aka ENOB). Simply put, the effective resolution is the equivalent resolution where analog voltages less than LSB voltage are no longer differentiable from the inherent hardware noise. In addition to defining the smallest measurable analog voltage, the effective

resolution also defines the RMS peak-to-peak noise on a given analog channel.

Closely related to the effective resolution is the error free code resolution (EFCR) or flicker-free code resolution. The EFCR represents the resolution on a channel immune to "bounce" or "flicker" from the inherent system noise. The EFCR is not reported in this appendix. However, it may be closely approximated by the following equation:

$$EFCR = \text{effective resolution} - 2.7 \text{ bits} \quad [1.]$$

The U6 offers user-selectable resolution through the resolution index parameter on any one AIN channel. Internally, the ADC hardware uses modified sampling methods to increase measurement resolution beyond the ADC's base resolution. Valid resolution index values are 0-8 for the U6 and 0-12 for the U6-Pro [2],[3]. Increasing the resolution index value will improve the channel resolution, but doing so will usually extend channel sampling times.

### Noise and Resolution Data

The data shown below summarizes typical effective resolutions and expected channel sampling times over all resolution index values. Data for the U6 and U6-Pro data are combined and presented together for convenience, where resolution index values 9-12 only apply to the U6-Pro.

The AIN sampling time is the typical amount of time required for the ADC hardware to make a single analog to digital conversion on any channel and is reported in milliseconds per sample. The AIN sampling time does not include command/response and overhead time associated with the host computer/application.

### Noise and Resolution Test procedure

Noise and resolution data was generated by collecting 512 successive voltage readings, using a short jumper between the test channel and ground. To get the effective resolution in volts, we simply take the standard deviation of this array of voltage readings:

$$\text{Effective Resolution in Volts} = \text{StandardDeviation (Data Array in Volts)}$$

To calculate effective resolution in bits, we first convert the voltage readings to 16-bit aligned values. Essentially 16-bit binary values but with decimal places. We then take the standard deviation of those values, and then use the last equation below to calculate effective resolution in bits:

$$16\text{-bit Aligned Value} = 65536.0 * ((\text{Voltage} - \text{MinSpanVolts}) / (\text{MaxSpanVolts} - \text{MinSpanVolts}))$$

$$\text{RMS Noise} = \text{StandardDeviation (16-bit Aligned Values)}$$

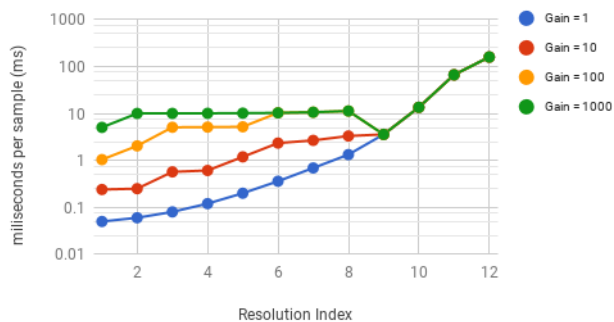
$$\text{Effective Resolution in Bits} = 16.0 - \log_2 (\text{RMS Noise})$$

See [Appendix A](#) for the min and max span voltages. For example, with Gain = 1 (Range = 10), the min is about -10.6 volts and the max is about 10.1 volts.

**Table B-1.** Effective resolution and sampling times for various gains and resolution index settings. Resolution index settings 9-12 apply to the U6-Pro only.

Resolution Index	Effective Resolution [bits]	Effective Resolution [µV]	AIN Sample Time [ms/sample]
<b>Gain/Range: 1/±10V</b>			
1	16.0	316	0.05
2	16.5	223	0.06
3	17.0	158	0.08
4	17.5	112	0.12
5	17.9	85	0.20
6	18.3	64	0.36
7	18.8	45	0.69
8	19.1	37	1.33
9	19.6	26	3.58
10	20.5	14	13.5
11	21.3	8.0	66.5
12	21.4	7.5	159
<b>Gain/Range: 10/±1V</b>			
1	15.4	48	0.24
2	16.0	32	0.25
3	16.5	22	0.57
4	16.9	17	0.61
5	17.4	12	1.19
6	17.9	8.5	2.34
7	18.3	6.4	2.67
8	18.7	4.9	3.31
9	19.5	2.8	3.58
10	20.5	1.4	13.5
11	21.4	0.7	66.5
12	21.5	0.7	159

**AIN Sample Time Vs Resolution Index**



**Figure B-2.** Analog input effective resolution over various gains and resolution index settings.

Gain/Range: 100/±0.1V			
1	13.3	21	1.04
2	14.2	11	2.04
3	14.7	7.8	5.08
4	15.2	5.5	5.12
5	15.7	3.9	5.20
6	16.3	2.6	10.3
7	16.7	1.9	10.6
8	17.2	1.4	11.3
9	18.3	0.6	3.58
10	19.1	0.4	13.5
11	19.6	0.3	66.5
12	19.7	0.2	159
Gain/Range: 1000/±0.01V			
1	10.9	11	5.1
2	12.3	4.1	10.0
3	12.7	3.1	10.0
4	13.3	2.1	10.1
5	13.8	1.5	10.2
6	14.4	1.0	10.3
7	14.7	0.8	10.6
8	15.0	0.6	11.3
9	15.4	0.5	3.58
10	16.1	0.3	13.5
11	16.4	0.2	66.5
12	16.4	0.2	159

### Effective Resolution Vs Resolution Index

Figure B-3. Analog input LSB voltage over various gains and resolution index settings.

### LSB Voltage Vs Resolution Index

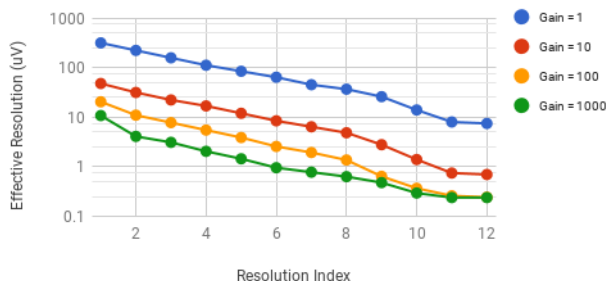


Figure B-4. AIN sample times for analog inputs over various gains resolution index settings.

### Notes:

1. The equation used to approximate the EFCR is determined using +/-3.3 standard deviations from the RMS noise measured on an AIN channel.
2. Resolution index 0 defaults the U6 to resolution index = 8 and the U6-Pro to resolution index = 9 in command response mode. Stream mode does not support the 24-bit ADC. Therefore, setting the resolution index to 0 is equivalent to resolution index = 1.
3. The U6-Pro is equipped with a 24-bit delta-sigma ADC, in addition to the standard 16-bit ADC. Analog conversions occur on the 16-bit ADC when resolution index values 0-8 are used. Analog conversion occur on the 24-bit ADC when resolution index values 9-12 are used (command response mode only).

### Support - Table Styling Fix

## Appendix C - Enclosure and PCB Drawings [U6 Datasheet]

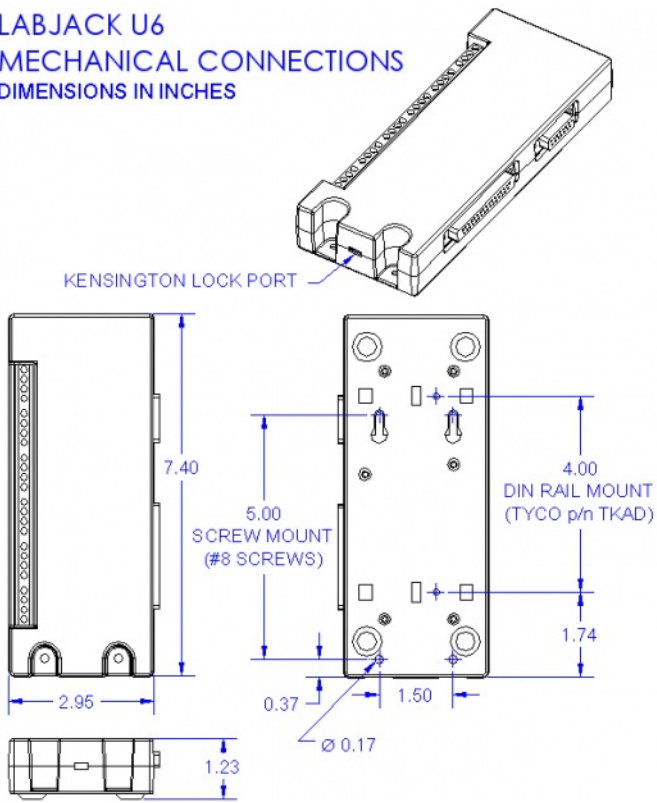
[Log in](#) or [register](#) to post comments

See below drawings of the U6.

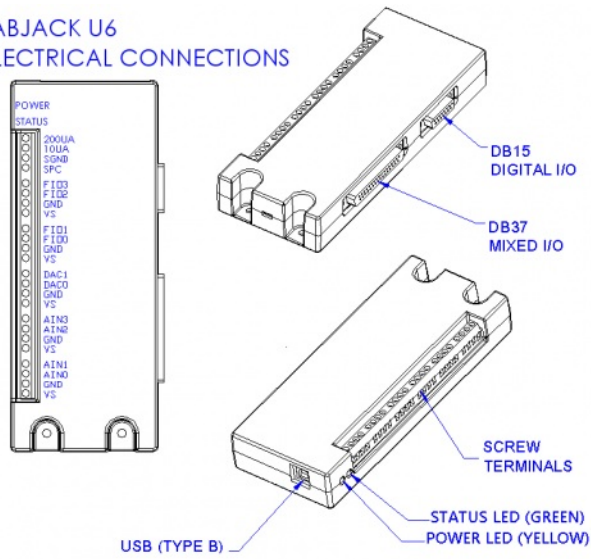
The square holes on the back of the enclosure are for [DIN rail mounting adapters](#) (TE Connectivity part #TKAD).

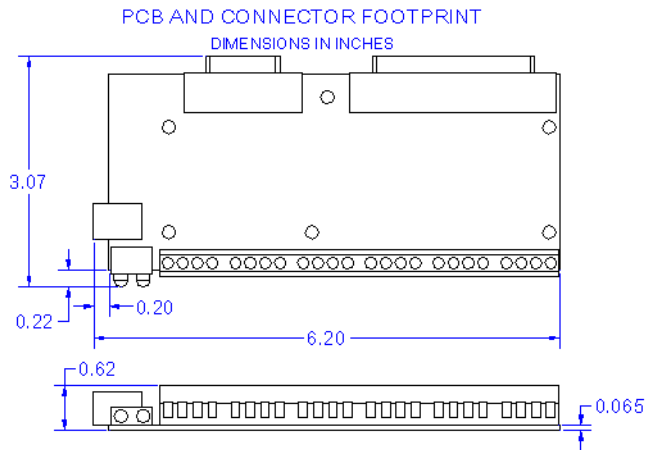
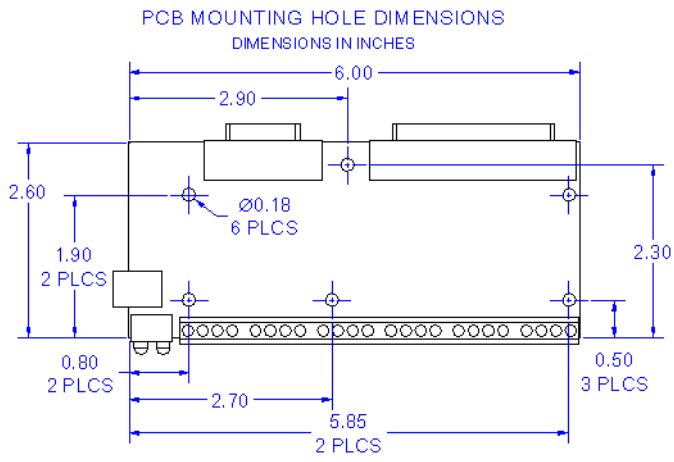
CAD drawings of the U6 enclosure are attached to the bottom of this page. The free online [Autodesk Viewer](#) can be used to view these and make measurements among other things.

**LABJACK U6**  
**MECHANICAL CONNECTIONS**  
 DIMENSIONS IN INCHES

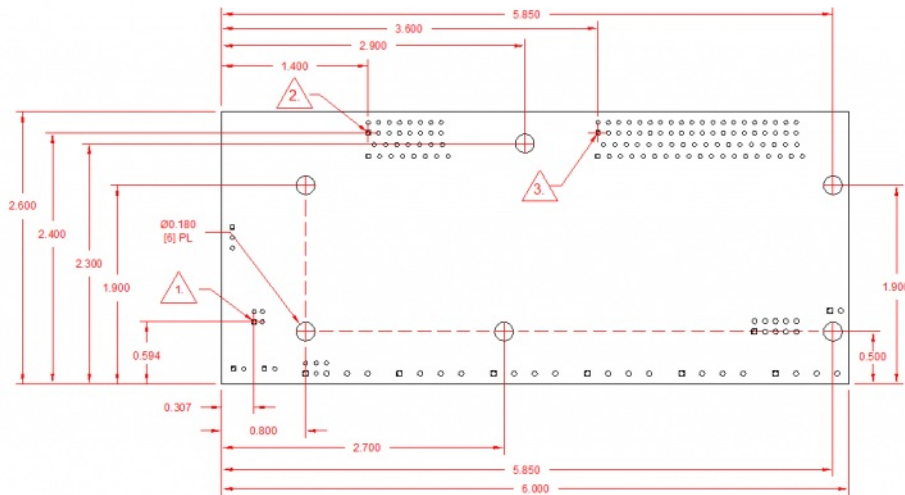


**LABJACK U6**  
**ELECTRICAL CONNECTIONS**

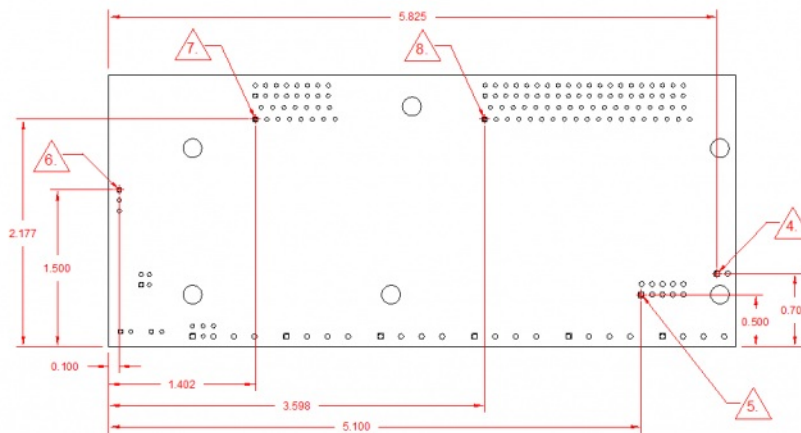




U6 OEM PCB Dimensions



- NOTES:
1. USB, PIN 1 (PITCH: ΔX 0.078", ΔY 0.098")
  2. OEM 2x8 HEADER, 0.100" PITCH, PIN 1
  3. OEM 2x20 HEADER, 0.100" PITCH, PIN 1
  4. MECH. PIN 1, 0.100" PITCH
  5. JTAG, PIN 1, 0.100" PITCH
  6. J5, PIN 1, 0.100" PITCH
  7. P2, PIN 1
  8. P3, PIN 1



### More Details

See the [OEM page](#) for details on connector pin-headers, holes, power supply information, part options, and more.

Common neutral format CAD models are provided below. Right-click and select the "Save link as..." option to download STEP files.

#### File Attachment:

- [U6.IGS](#)
- [U6.STEP](#)
- [U6\\_OEM.IGS](#)
- [U6\\_OEM.STEP](#)
- [U6\\_PCB\\_Dimensions.dxf](#)
- [U6\\_OEM\\_Parasolid-20191017.zip](#)

## U6 Firmware Revision History [U6 Datasheet]

[Log in](#) or [register](#) to post comments

Firmware is available on the [U6 Firmware](#) page.

### U6 Firmware Overview

These firmware files require [LJSelfUpgrade V1.21](#) or higher in order to upgrade the U6, which is included with the LabJack installer.

### Change Log

**1.45:** Fixed a bug that was causing ALL\_STATE\_WRITE to affect EIOs when not masked to do so. Fixed a potential roll issue when reading the high and low 32-bits of the system timer.

[Click to Expand Change Log](#)

**1.43:** Fixed a bug that was causing AINs to use the settling time for the next higher resolution.

**1.42:** Slight improvement to timer/counter performance while simultaneously measuring AINs.

**1.40:** Stream will now allow differential settings on certain channels greater than sixteen.

**1.39:** Modified U6\_Stream\_ReadSample to handle extended channels. Added a function to load more than 25 stream channels. Using the LED IO type will now disable automatic LED operations. The L2L interrupt for timer 1 will no longer disable TMR3.

**1.35:** Analog channels 64 and above will now set the MIO lines properly. Changed the way digital IO are updated to prevent 2-10us output-high blips during startup. Added an idle check to I2C. Fixed a timing problem with 1-wire reads. Changed stream auto recover to cease operation when there is less than 1 packet worth of data in the buffer, was previously 2 packets. Added modbus feedback function (for internal testing), added modbus I2C. Attempted to eliminate errors while reading the system timer through stream. I2C will now return ACK information when only reading. Only one ack for the address will be reported, even when the address needs to be transmitted twice. Improved timer reads in stream mode.

**1.26:** Fixed a problem that could cause random command-response time variances. Fixed a problem that was causing the extended muxing system to control MIO lines when using special channels.

**1.24:** Enabled special channels though feedback IO\_Type 1. Fixed a problem that was causing the analog multiplexers to not be set correctly after reading a special channel when using a resolution of 1 or above. Fixed a problem that was causing the U6 to use resolution settings one higher than requested, only affected pro resolutions (9 and above).

**1.22:** On startup the U6 will now clear the watchdog if invalid settings are detected. Added z-phase support to quadrature timer modes. Changed minimum watchdog timeout period to 1s. Modbus reads from 7100 will now return the timer values from timer 0 instead of timer 1. Writes to modbus addresses 6100-6122 are now supported. Added special stream channels 230-233, 240 and 241. The All state write IO type will no longer set unmasked pins to output. Added counter with debounce timer mode. Added Line-to-Line timer mode. When configuring stream for differential readings on extended channels the firmware will throw an error when the specified channel does not map to an even channel on the U6. That is, 24-31, 40-47, 56-63 etc. are invalid. Added 1-wire support. Added modbus data format check. Fixed an issue that was corrupting some data returned by modbus. The I2C function will now send the address even when no data bytes are written or read. Feedback will now throw and error when an AIN is read while stream is active. Added functions that will attempt to prevent the high-speed ADC from becoming improperly biased when the high-res converter is read. Added an option to the SPI function that allows the number of bits in the final byte transferred to be specified. Enabling a TimerClock with a divisor will now force most of the Counter0 settings off to prevent Counter0 from interfering with the USB system. None of the disabled features are needed by the TimerClock.

**1.13:** Disabled Auto-ranging. Added special channel support (193 etc.) to command-response functions. Extra settling will no longer be added to streams with only one channel. Fixed a problem that could cause UART to not respond to the TC pin offset. Added DSP IO\_Type with functions 1-4. Fixed a problem that was causing the I2C speed parameter to not respond properly to the I2C command. When passing stream config with zero for settling delay and only one channel in the scan, settling delay will no longer be decremented to 255. Modbus related: Added out of bounds checks for DAC float conversions, using the negative channel addresses can now set differential mode, ranges above 3 will now be set to 0, improve normal converter calibration application. Changed temperature offset (see section 2.6.4) from -2.5K to -3K.

**1.04:** Extend analog input channel addressing has been changed to match the documentation. The upper 3 bits of the channel number were being placed on the MIO lines, instead of the lower 3 as documented.

**1.03:** New settling options. Added device name string. Added extended watchdog function. Added extended AIN channel support. Improved AIN reading when switching between channels. Autosettling has been updated. Upgrading to this firmware will reset the startup defaults. Stream will now determine the minimum required settling when the settling parameter is set to zero.

**0.95:** Feedback will now throw an error when reading counters that have not been enabled. Fixed an issue that would occasionally cause stream to incorrectly report a scan overlap. Stream start will now throw an error if the stream table is invalid or a stream is already active. Stream stop will now throw an error if stream is not running. Stream stop will now clear the USB FIFO for the stream endpoint.

**0.92:** Stream resolution index has been shifted to match non-streaming indices. USB has been updated to improve compatibility with Linux kernels prior to 2.6.28. Improved timer and counter functionality to run quicker. Specs pending. Added Initial Modbus support. Feedback will now allow multiple auto-range IO types per packet.

**0.80:** Added the new startup defaults system.

**Known Issues:** Using the 256x stream divisor with high stream scan rates will cause an undetectable processor overload condition. The divisor should not be used for scan rates above 100 Hz. When using timers and counters the scan rate should be limited to 10Hz.

---