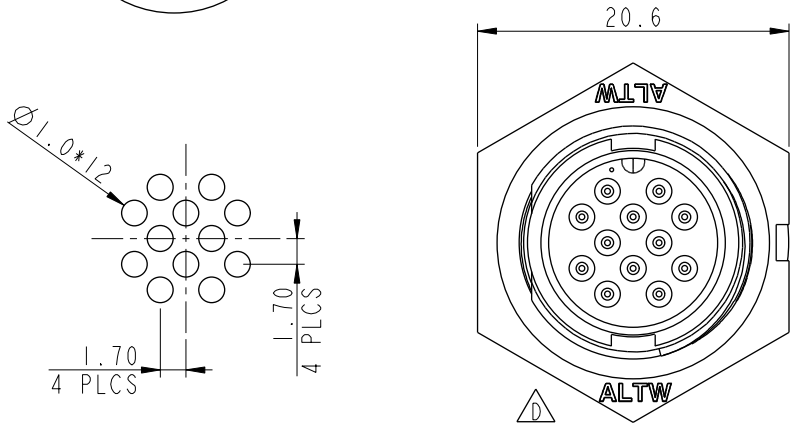
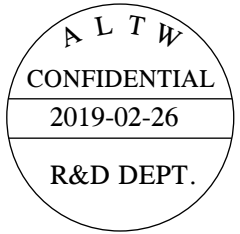
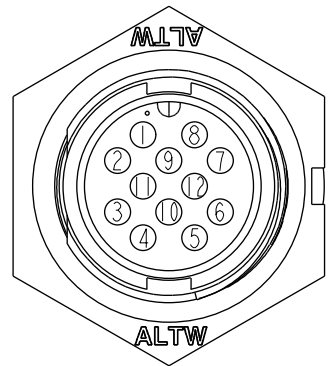
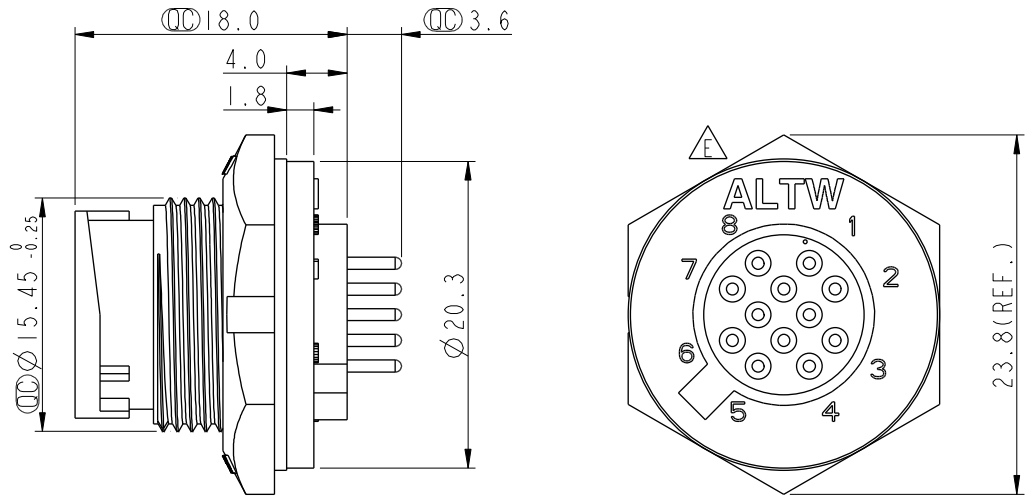


THIS DOCUMENT IS SUBJECT TO CHANGE WITHOUT NOTICE. IT IS CONFIDENTIAL AND A PROPERTY OF Amphenol LTW. DISCLOSURE TO THIRD PARTY HAS TO BE AUTHORIZED BY Amphenol LTW.

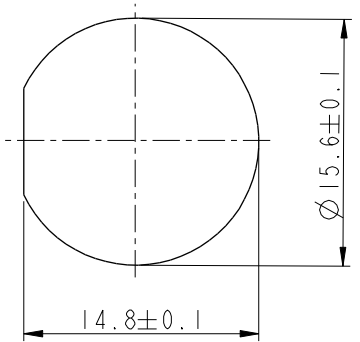
REV.	ECN NO.	DATE	SIGN	DESCRIPTION
D	LEN1470084	2014/07/03	Jason.Yu	Change Nut Logo
E	LEN1590304	2015/09/02	Vicky	Update Logo
F	CI90269	2019/02/26	Ruru	Modify Note



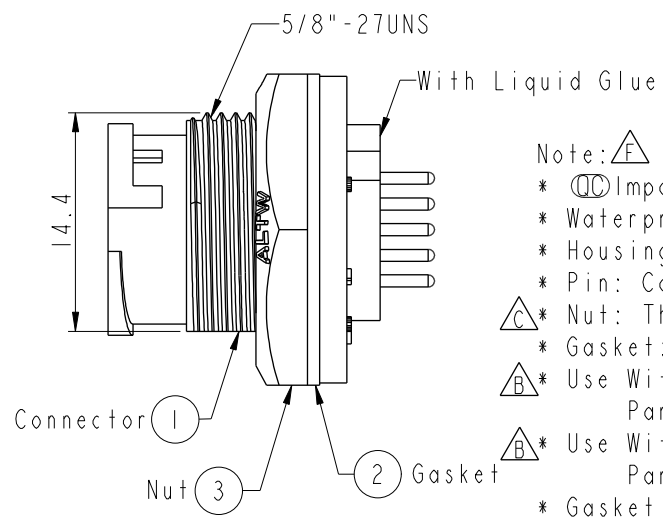
PCB Lay-out



Pin Assignments Front View



Recommended Panel Cut-out



- Note:  $\triangle$
- \*  $\text{CC}$  Important Dimension To Check
  - \* Waterproof Rate: IP67, Unmated
  - \* Housing: Thermoplastic, Black
  - \* Pin: Copper Alloy, Gold Plated
  - \* Nut: Thermoplastic, Black
  - \* Gasket: Rubber, Black
  - $\triangle C$  \* Use With Waterproof Cap Or Dust Cap  
Panel Thickness Max: 3.0mm
  - $\triangle B$  \* Use Without Waterproof Cap Or Dust Cap  
Panel Thickness Max: 4.5mm
  - \* Gasket and Nut are packed separately in PE bags.

UNIT:mm		TITLE	Standard Panel Lock 12Pin M Conn. M Pin	
TOLERANCE		SCALE	SIZE	SHEET OF
.X ±0.25		2:1	A4	1 OF 1
.XX ±0.1		REV.	WC-REV.	
.XXX ±0.05		F	A.4	
ANGLES ±1°			$\text{CC}$ : Inspection item	

**Amphenol LTW**  
安費諾亮泰企業股份有限公司

ITEM NO	BU-12PMMP-LC7001	DRAWN BY	Ruru	DATE	2019-02-26
DWG NO	BU-12PMMP-LC7001	CHECKED BY	Rita	DATE	2019-02-26
CUSTOMER	ALTW	APPROVED BY	Max	DATE	2019-02-26