

**50Ω Straight Surface Mount, SMA
Connector, jack**

**RoHS
Compliant**

Stock No.: 8006933C079

FEATURES

- 50Ω Impedance
- SMA Connector



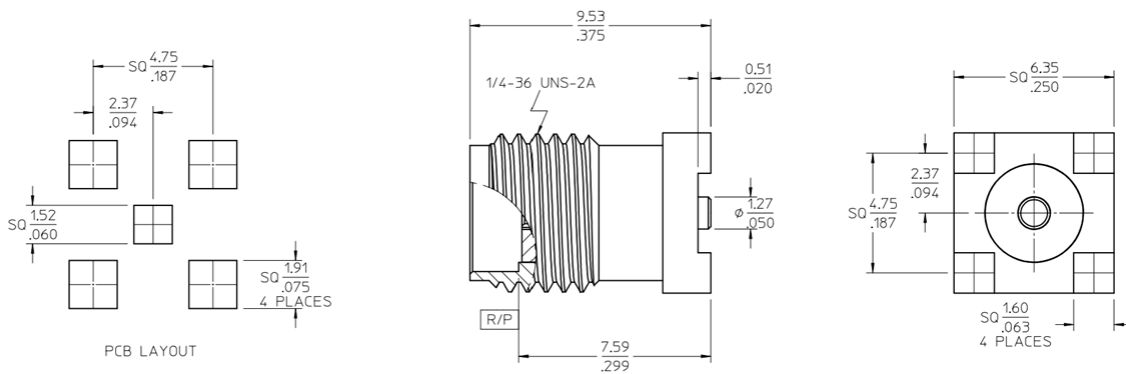
Product Description

- 50 Ohm SMA RF coaxial PCB mount Jack Receptacles with a Teflon dielectric, gold plated centre contact and brass body with gold plating

General Specifications

Attribute	Value
Gender	Female
Coaxial Connector Type	SMA Connector
Mounting Type	Surface Mount
Impedance	50Ω
Termination Method	Solder
Body Orientation	Straight
Size	Subminiature
Bulkhead	No
Operating Frequency	18GHz
Body Plating	Gold
Contact Material	Beryllium Copper
Contact Plating	Gold

Product Drawing



Dimensions: Millimeters (Inches)

Part Number Table

Part Number	Description
8006933C079	50Ω Straight Surface Mount, SMA Connector, jack

Important Notice: This data sheet and its contents (the "Information") belong to the members of the EASE group of companies (the "Group") or are licensed to it. No license is granted for the use of it other than for information purposes in connection with the products to which it relates. No license of any intellectual property rights is granted. The Information is subject to change without notice and replaces all data sheets previously supplied. The Information supplied is believed to be accurate, but the Group assumes no responsibility for its accuracy or completeness, any error in or omission from it or for any use made of it. Users of this data sheet should check for themselves the Information and the suitability of the products for their purpose and not make any assumptions based on information included or omitted. Liability for loss or damage resulting from any reliance on the Information or use of it (including liability resulting from negligence or where the Group was aware of the possibility of such loss or damage arising) is excluded. This will not operate to limit or restrict the Group's liability for death or personal injury resulting from its negligence. EASE is the registered trademark of Ease Electronics Co., Limited 2019.