

**Straight Panel Mount, SHV
Connector, Plug**

**RoHS
Compliant**

Stock No.: 7455731C078

FEATURES

- 50Ω Impedance
- SHV Connector



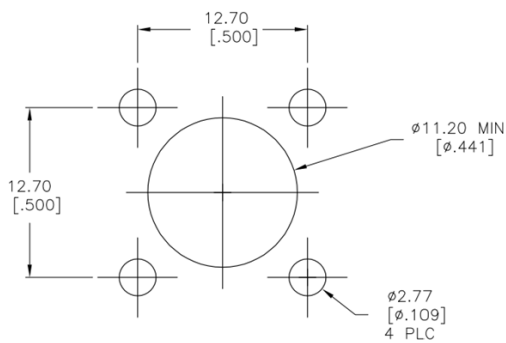
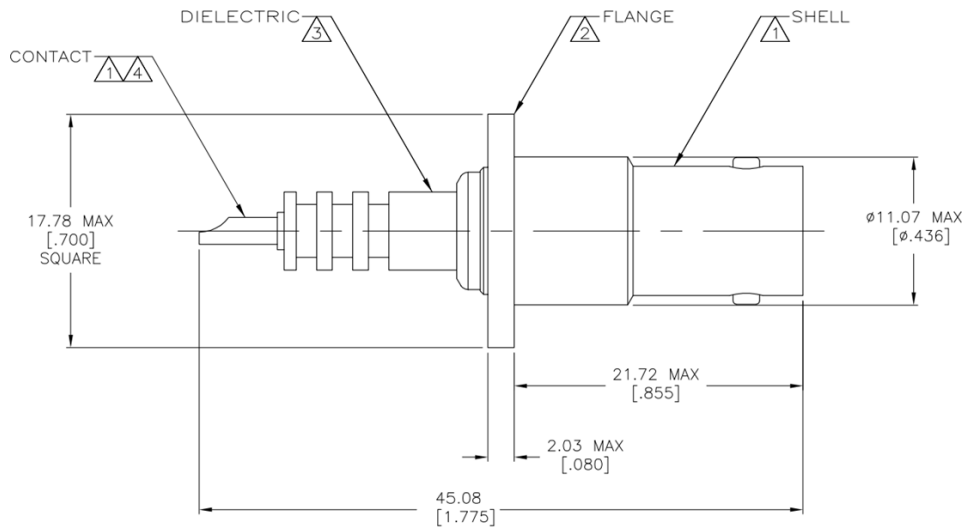
Product Description

- SHV Connectors are lightweight, weatherproof connectors designed to provide shielded disconnects for high-voltage applications up to 5,000 volts DC.

General Specifications

Attribute	Value
Gender	Male
Coaxial Connector Type	SHV Connector
Mounting Type	Panel Mount
Termination Method	Solder
Body Orientation	Straight
Contact Material	Brass
Contact Plating	Gold

Product Drawing



RECOMMENDED PANEL CUTOUT

Dimensions: Millimeters (Inches)

Part Number Table

Part Number	Description
7455731C078	Straight Panel Mount, SHV Connector, Plug

Important Notice: This data sheet and its contents (the "Information") belong to the members of the EASE group of companies (the "Group") or are licensed to it. No license is granted for the use of it other than for information purposes in connection with the products to which it relates. No license of any intellectual property rights is granted. The Information is subject to change without notice and replaces all data sheets previously supplied. The Information supplied is believed to be accurate, but the Group assumes no responsibility for its accuracy or completeness, any error in or omission from it or for any use made of it. Users of this data sheet should check for themselves the Information and the suitability of the products for their purpose and not make any assumptions based on information included or omitted. Liability for loss or damage resulting from any reliance on the Information or use of it (including liability resulting from negligence or where the Group was aware of the possibility of such loss or damage arising) is excluded. This will not operate to limit or restrict the Group's liability for death or personal injury resulting from its negligence. EASE is the registered trademark of EASE Electronics Co., Limited 2019.