

50Ω Straight Cable Mount, TNC
Connector, Plug, LMR-400

**RoHS
Compliant**

Stock No.: 7123043C073

FEATURES

- 50Ω Impedance
- N Connector



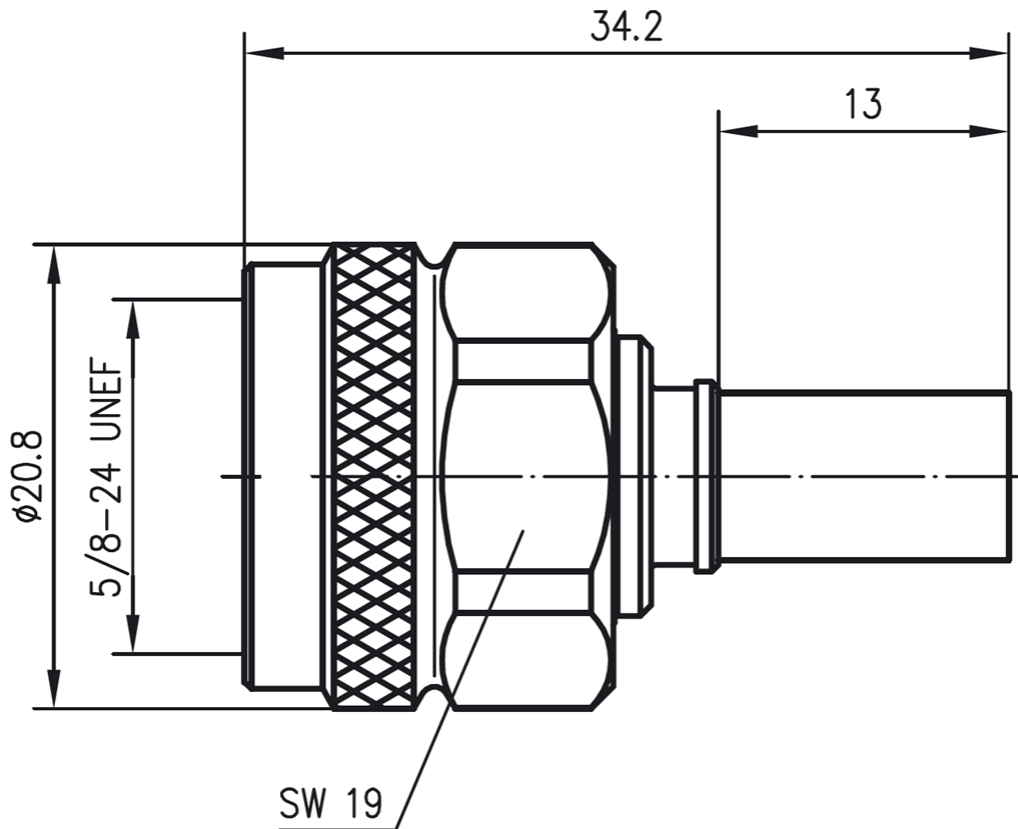
Product Description

- 50Ω Straight Cable Mount, N Connector, Plug.

General Specifications

Attribute	Value
Gender	Male
Coaxial Connector Type	N Connector
Mounting Type	Cable Mount
Impedance	50Ω
Termination Method	Crimp
Body Orientation	Straight
Cable Type	1.5/3.8, 1.5/3.8 FLEX
Operating Frequency	0 to 11GHz
Body Plating	Copper Nickel Alloy, White Bronze
Minimum Operating Temperature	-65°C
Maximum Operating Temperature	+165°C
Contact Material	Beryllium Copper
Contact Plating	Silver

Product Drawing



Dimensions: Millimeters (Inches)

Part Number Table

Part Number	Description
7123043C073	50 Ω Straight Cable Mount, TNC Connector, Plug, LMR-400

Important Notice: This data sheet and its contents (the "Information") belong to the members of the EASE group of companies (the "Group") or are licensed to it. No license is granted for the use of it other than for information purposes in connection with the products to which it relates. No license of any intellectual property rights is granted. The Information is subject to change without notice and replaces all data sheets previously supplied. The Information supplied is believed to be accurate, but the Group assumes no responsibility for its accuracy or completeness, any error in or omission from it or for any use made of it. Users of this data sheet should check for themselves the Information and the suitability of the products for their purpose and not make any assumptions based on information included or omitted. Liability for loss or damage resulting from any reliance on the Information or use of it (including liability resulting from negligence or where the Group was aware of the possibility of such loss or damage arising) is excluded. This will not operate to limit or restrict the Group's liability for death or personal injury resulting from its negligence. EASE is the registered trademark of Ease Electronics Co., Limited 2019.