

50Ω Straight Panel Mount, SMA Connector Bulkhead Fitting, jack

**RoHS
Compliant**

Stock No.: 5120008C053

FEATURES

- 50Ω Impedance
- SMA Connector
- Panel Mount



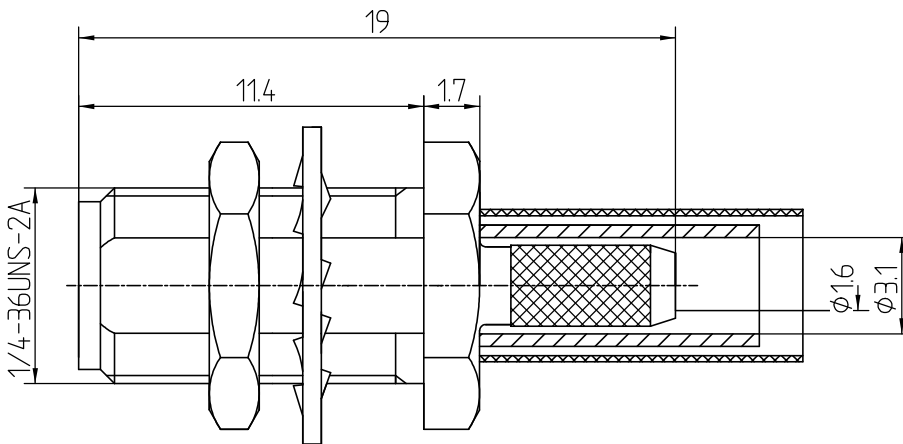
Product Description

The threaded coupling mechanism of these SMA RF coaxial cable connectors provides a secure vibration proof connection. These SMA RF coaxial cable connectors are designed for bulkhead mounting and have a hex nut and lock washer for a secure connection.

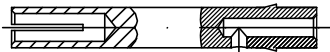
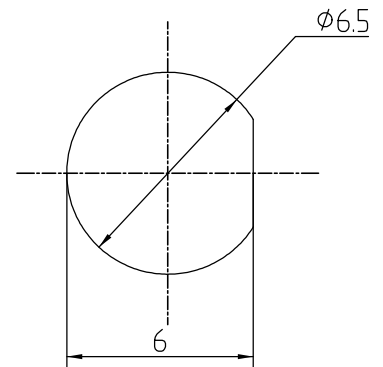
General Specifications

Attribute	Value
Gender	Female
Coaxial Connector Type	SMA Connector
Mounting Type	Panel Mount
Impedance	50Ω
Termination Method	Crimp
Body Orientation	Straight
Cable Type	RG174 A/U, RG188 A/U, RG316/U
Bulkhead	Yes
Operating Frequency	0 to 6GHz
Body Plating	Gold
Contact Material	Beryllium Copper
Contact Plating	Gold

Product Drawing



Mounting Hole



1 Electrical

- 1.1 Impedance **50Ω**
- 1.2 Frequency **0~6GHz**
- 1.3 Dielectric withstanding voltage **1000V(volts RMS)**
- 1.4 Center contact resistance **≤ 3MΩ**
- 1.5 Outer contact resistance **≤ 2MΩ**
- 1.6 Insulation resistance: **≥5000MΩ**
- 1.7 VSWR **1.25:1**

2 Environmental&Mechanical

- 2.1 Temperature range **-45℃~125℃**
- 2.2 RoHs Compliant
- 2.3 Durability **>500 cycles**

3 Materials&Finish

- 3.1 Body: **Brass, Gold Plated**
- 3.2 Insulator: **Teflon**
- 3.3 Contact Pin: **Beryllium-copper· Gold plated**
- 3.4 Washer: **Brass, Gold plated**
- 3.5 Hex Nut: **Brass, Gold plated**

Dimensions: Millimeters (Inches)

Part Number Table

Part Number	Description
5120008C053	50Ω Straight Panel Mount, SMA Connector Bulkhead Fitting, jack

Important Notice: This data sheet and its contents (the "Information") belong to the members of the EASE group of companies (the "Group") or are licensed to it. No license is granted for the use of it other than for information purposes in connection with the products to which it relates. No license of any intellectual property rights is granted. The Information is subject to change without notice and replaces all data sheets previously supplied. The Information supplied is believed to be accurate, but the Group assumes no responsibility for its accuracy or completeness, any error in or omission from it or for any use made of it. Users of this data sheet should check for themselves the Information and the suitability of the products for their purpose and not make any assumptions based on information included or omitted. Liability for loss or damage resulting from any reliance on the Information or use of it (including liability resulting from negligence or where the Group was aware of the possibility of such loss or damage arising) is excluded. This will not operate to limit or restrict the Group's liability for death or personal injury resulting from its negligence. EASE is the registered trademark of Ease Electronics Co., Limited 2019.