

50Ω Straight Cable Mount, SMA
Connector, Plug, RG405

**RoHS
Compliant**

Stock No.: 3326591C042

FEATURES

- 50Ω Impedance
- SMA Connector
- Cable Mount



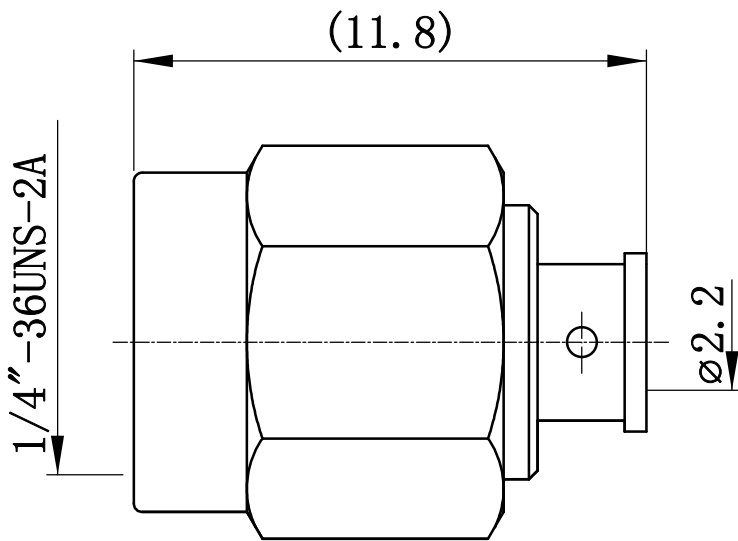
Product Description

50 Ohm SMA RF coaxial solder plug connectors with screw on mating and solder termination. These RF coax 50 Ohm cable mount SMA plug connectors have a gold-plated stainless-steel body, gold centre contact, gasket and are suitable for use with various RF coaxial cable types.

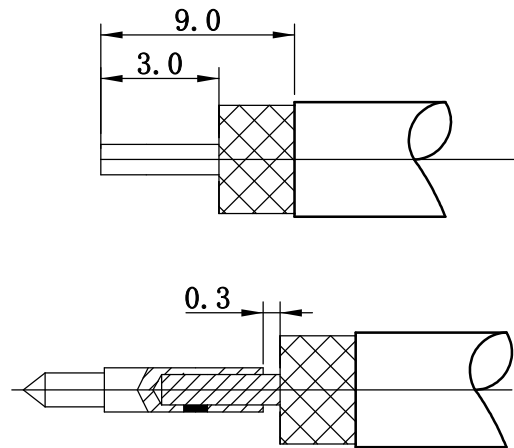
General Specifications

Attribute	Value
Gender	Male
Coaxial Connector Type	SMA Connector
Mounting Type	Cable Mount
Impedance	50Ω
Termination Method	Crimp
Body Orientation	Straight
Cable Type	RG405
Bulkhead	No
Operating Frequency	0 to 18GHz
Body Plating	Gold
Minimum Operating Temperature	-65°C
Maximum Operating Temperature	+105°C
Contact Material	Brass
Contact Plating	Gold over Nickel

Product Drawing



Recommended Cable Stripping Dimension



1 Electrical

- 1.1 Impedence 50Ω
- 1,2 Frequency DC~18GHz
- 1.6 VSWR ≤1.20@6GHz

3 Materials&plating

- 3.1 Body: Brass, Gold plated
- 3.2 Insulator: Teflon
- 3,3 Contact Pin: Brass Gold plated
- 3.4 Coupling Nut: Stainless Steel, Passivated

2 Environmental&Mechanical

- 2.1 Temperature range -45°C~125°C
- 2.2 RoHs Compliant
- 2.3 Durability >500 cycles

Dimensions: Millimeters (Inches)

Part Number Table

Part Number	Description
3326591C042	50Ω Straight Cable Mount, SMA Connector, Plug, RG405

Important Notice: This data sheet and its contents (the "Information") belong to the members of the EASE group of companies (the "Group") or are licensed to it. No license is granted for the use of it other than for information purposes in connection with the products to which it relates. No license of any intellectual property rights is granted. The Information is subject to change without notice and replaces all data sheets previously supplied. The Information supplied is believed to be accurate, but the Group assumes no responsibility for its accuracy or completeness, any error in or omission from it or for any use made of it. Users of this data sheet should check for themselves the Information and the suitability of the products for their purpose and not make any assumptions based on information included or omitted. Liability for loss or damage resulting from any reliance on the Information or use of it (including liability resulting from negligence or where the Group was aware of the possibility of such loss or damage arising) is excluded. This will not operate to limit or restrict the Group's liability for death or personal injury resulting from its negligence. EASE is the registered trademark of Ease Electronics Co., Limited 2019.