

50Ω Right Angle Cable Mount, N Connector, Plug

**RoHS
Compliant**

Stock No.: 2956769C023

FEATURES

- 50Ω Impedance
- N Connector
- Cable Mount



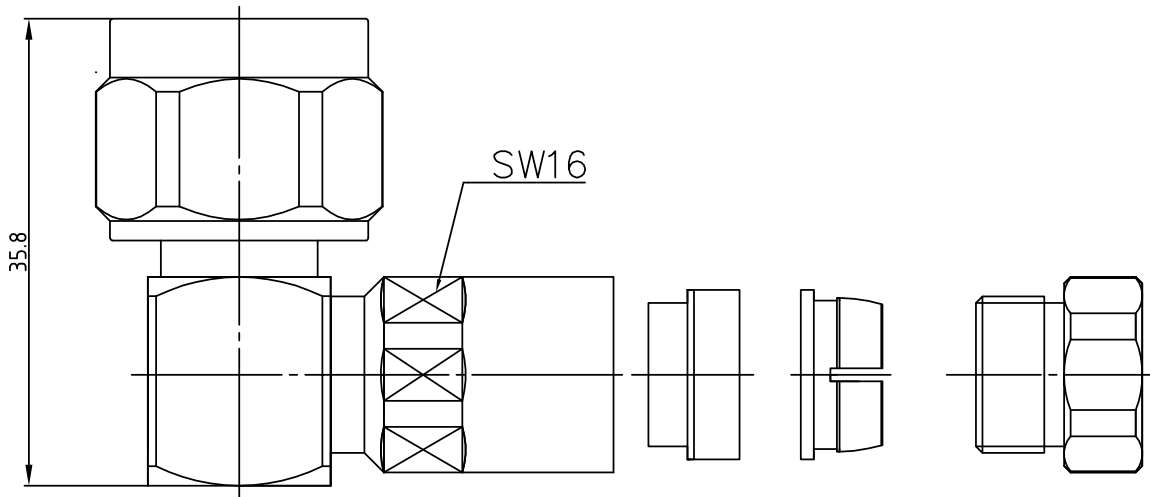
Product Description

50 Ohm N series right angle RF coaxial cable plug connectors with screw-on mating and a cable clamp termination. These 50 Ohm N series straight RF coax cable clamp plugs have a PTFE dielectric, nickel plated body, gold plated centre contact and are available for use with a variety of RF coaxial cable types including RG213, RG214, RG58 and RG 223.

General Specifications

Attribute	Value
Gender	Male
Coaxial Connector Type	N Connector
Mounting Type	Cable Mount
Impedance	50Ω
Termination Method	Clamp
Body Orientation	Right Angle
Cable Type	RG11, RG144, RG165, RG213, RG214, RG216, RG393
Operating Frequency	0 → 3GHz
Minimum Operating Temperature	-55°C
Maximum Operating Temperature	155°C
Contact Material	Spring copper
Contact Plating	Gold, Silver

Product Drawing



1 Electrical

- 1.1 Impedance: 50Ω
- 1.2 Frequency Range: DC-3GHz
- 1.3 VSWR: ≤ 1.15
- 1.4 Insertion Loss: ≤ 0,1
- 1.5 Proof voltage: 2500V(volts RMS)
- 1.6 Center contact resistance ≤ 0.8MΩ
- 1.7 Outer contact resistance ≤ 0.4MΩ
- 1.8 Insulation resistance: ≥5000MΩ

2 Materials&plating

- 2.1 Body: Brass, Copper-tin-zin 2μm
- 2.2 Insulator: PTFE
- 2.3 Contact Pin: Spring copper, Ag≥5μm
- 2.4 Nut: Brass, Ni≥5μm
- 2.5 Gasket: Silicon rubber red color

3 Environmental&Mechanical

- 3.1 Temperature range: -55℃~+155℃
- 3.2 RoHs Compliant
- 3.3 Durability: ≥500 cycles
- 3.4 Weather standard IEC 60068 55 / 155/ 56
- 3.5 Thermal shock US MIL-STD 202,Meth.107,Cond.B
- 3.6 Vibration US MIL-STD 202,Meth.204,Cond.B
- 3.7 Shock US MIL-STD 202,Meth.213,Cond.I
- 3.8 Waterproof standard IP67

4 Mechanical Performance

- 4.1 Nut torque: 5N.m
- 4.2 (Nut)whorl pull: 500N
- 4.3 Tensile Force(cable-connect): 400N
- 4.4 Torsion(cable-connect): 2N.m

Dimensions: Millimeters (Inches)

Part Number Table

Part Number	Description
2956769C023	50Ω Right Angle Cable Mount, N Connector, Plug

Important Notice: This data sheet and its contents (the "Information") belong to the members of the EASE group of companies (the "Group") or are licensed to it. No license is granted for the use of it other than for information purposes in connection with the products to which it relates. No license of any intellectual property rights is granted. The Information is subject to change without notice and replaces all data sheets previously supplied. The Information supplied is believed to be accurate, but the Group assumes no responsibility for its accuracy or completeness, any error in or omission from it or for any use made of it. Users of this data sheet should check for themselves the Information and the suitability of the products for their purpose and not make any assumptions based on information included or omitted. Liability for loss or damage resulting from any reliance on the Information or use of it (including liability resulting from negligence or where the Group was aware of the possibility of such loss or damage arising) is excluded. This will not operate to limit or restrict the Group's liability for death or personal injury resulting from its negligence. EASE is the registered trademark of Ease Electronics Co., Limited 2019.