

**75Ω Straight Panel Mount, BNC Connector, jack**

**RoHS  
Compliant**

Stock No.: 3997733C015

## FEATURES

- 75Ω Impedance
- BNC Connector
- Panel Mount



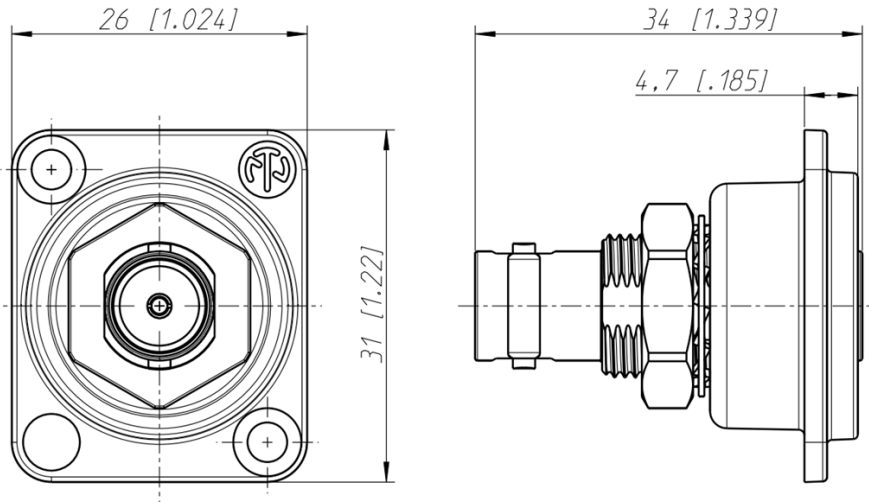
## Product Description

- BNC Bulkhead Jacks
- True 75 Ω design meets HDTV / DVD requirements.
- Gold plated centre contact

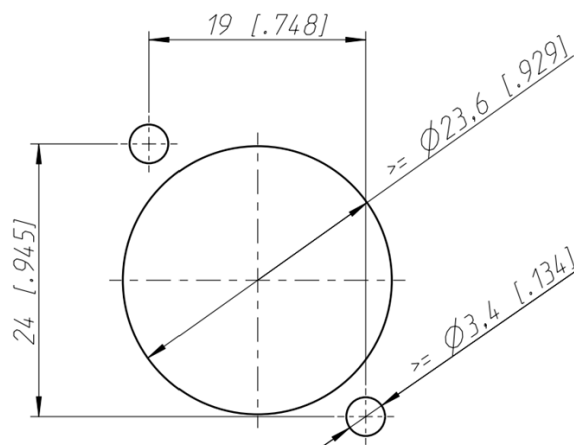
## General Specifications

Attribute	Value
Gender	Female
Coaxial Connector Type	BNC Connector
Mounting Type	Panel Mount
Impedance	75Ω
Termination Method	Crimp
Body Orientation	Straight
Bulkhead	Yes
Contact Material	Brass
Contact Plating	Gold

Product Drawing



Frontplattenausschnitt  
Panel cut out



Dimensions: Millimeters (Inches)

**Part Number Table**

Part Number	Description
3997733C015	75Ω Straight Panel Mount, BNC Connector, jack

Important Notice: This data sheet and its contents (the "Information") belong to the members of the EASE group of companies (the "Group") or are licensed to it. No license is granted for the use of it other than for information purposes in connection with the products to which it relates. No license of any intellectual property rights is granted. The Information is subject to change without notice and replaces all data sheets previously supplied. The Information supplied is believed to be accurate, but the Group assumes no responsibility for its accuracy or completeness, any error in or omission from it or for any use made of it. Users of this data sheet should check for themselves the Information and the suitability of the products for their purpose and not make any assumptions based on information included or omitted. Liability for loss or damage resulting from any reliance on the Information or use of it (including liability resulting from negligence or where the Group was aware of the possibility of such loss or damage arising) is excluded. This will not operate to limit or restrict the Group's liability for death or personal injury resulting from its negligence. EASE is the registered trademark of Ease Electronics Co., Limited 2019.