



2-090.04 Swinghandle RS PrC Self-locking



Avantages

- Swinghandle with liftable operating lever.
- 90° Closing rotation.
- Swinghandle can be locked by detents.
- IP65 according to DIN EN 60529 - version dish with cap.
- RH / LH application.
- Grounding by grounding nut (optional).

Materials

- **Handle, dish and cap:** PA, black
- **Shaft:** brass
- **Bearing plate:** zinc die, untreated
- **Seals:** NBR

Notes

(S) Door-thickness 1.5 - 2.5mm
1. stroke 18mm
2. clearance
Alternative products see also 2-090, 2-090.01, 2-090.02, 2-090.03.

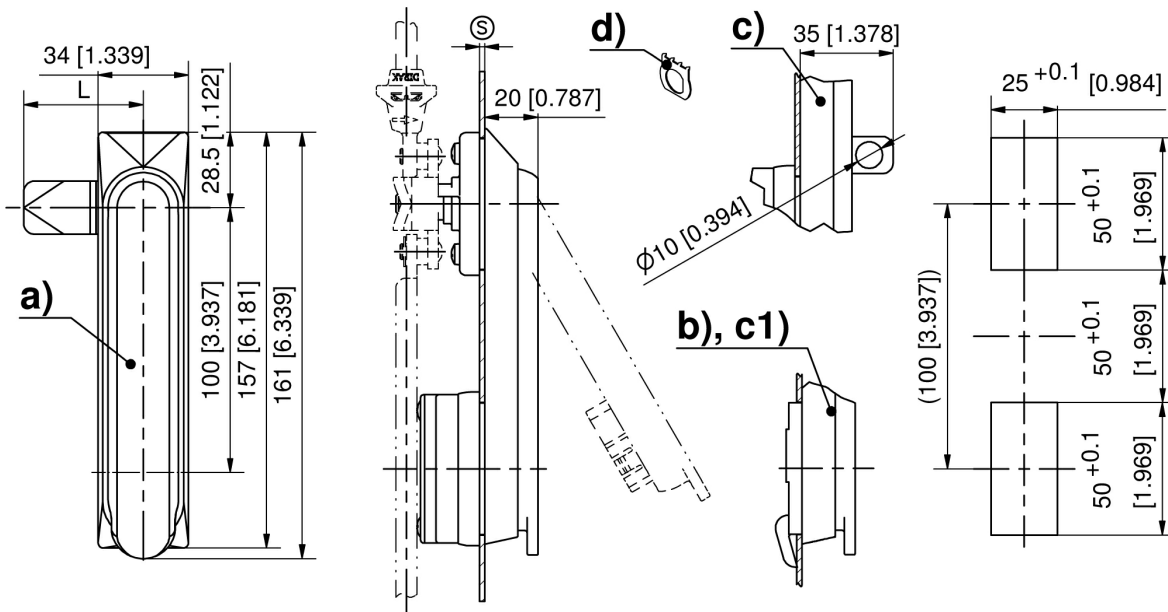


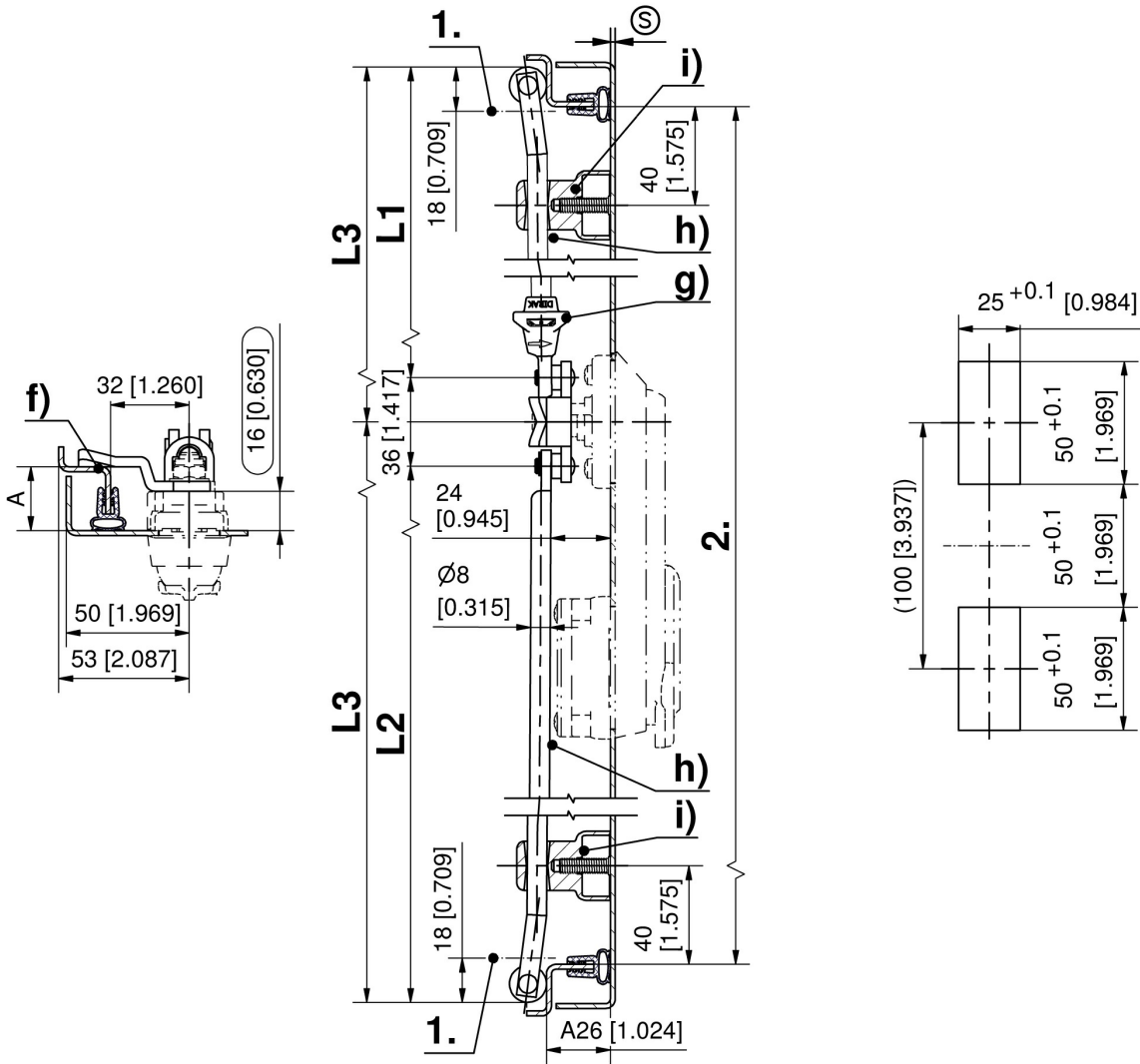
Swinghandle PA, self-locking, handle closed

	Part Number	Dish	Padlock bolt	IP protection	Installation type	Delivery Unit
c)	107-9262.00-00000	with cap	Yes	IP65	screw-on	1 pc.

* Accessories

- d) 3-011 **Grounding Clip Stainless Steel**
- f) 2-150 **3-Point Cam L45, Rod Control**
- f) 2-151 **2-, 3- and 4-Point Cam Adapter**
- f) 2-151.04 **3-Point Cam Adapter**
- g) 1-181 **Adapter for Round Rods Ø8mm PA**
- g) 1-181.01 **Adapter for Round Rods Ø8mm / Ø10mm Zinc Die**
- h) 1-170 **Round Rods with Eye**
- h) 1-180 **Round Rods for Adapter**
- i) 1-190 **Rod Guides RS**
- i) 1-193 **Rod Guide RS**





Formula for rods with eye and rollers:
cutout in the door center (rod length varies)

$$L_1 = \frac{\text{upper rod}}{2} = \frac{2 \cdot \text{clearance} - 12 \text{mm} [0.472]}{2 [0.079]} - 50 \text{ mm} [1.969] \quad L_2 = \frac{\text{lower rod}}{2} = \frac{2 \cdot \text{clearance} - 12 \text{mm} [0.472]}{2 [0.079]} + 50 \text{ mm} [1.969]$$

cutout outside the door center (rod length equal)

$$L_3 = \frac{2 \cdot \text{clearance} - 12 \text{mm} [0.472]}{2 [0.079]}$$