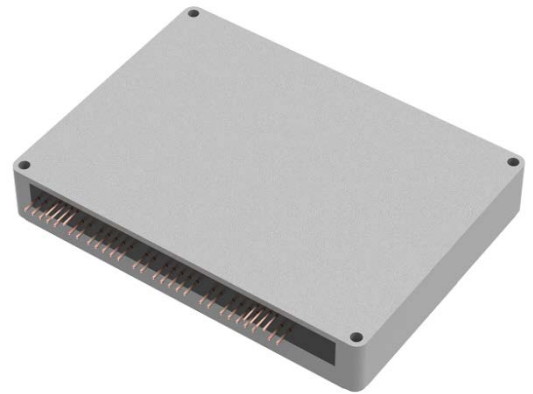


Powerland's 3.3kW DC/DC modules is based on the PPU™ (Power Processing Unit) smart redundancy structure. Dedicatedly designed for DC/DC applications in electrical vehicles, this series of PPU features with high reliability, high power density, high efficiency and high thermal performance.



Contents	
Features	2
Applications	2
Model List	2
Input Specifications	2
Output Specifications	2
General Specifications	2
Block Diagram	3
Performance Curve	3
Pin out function	4
Revision History	5

Features

- PPU™ Smart Redundancy Structure
- Ultra High Efficiency and Power Density
- Wide-Range Input Voltage
- CAN Communication
- Wide-Range Output Voltage Adjustable
- Support Paralleled Operation
- Built-In Input Over Voltage and Under Voltage Protection

Applications

- Automobile Standard Components

Model List

Model Number	Input Voltage Range	Output Power	Output Current Range	Output Voltage Range	Efficiency @250VDC	Certification
PLD3300-18FC01-450	50-300 Vdc	3300W	0-11A	300-450V	97%	-

Input Specifications

Parameter	Min.	Typ.	Max.	Notes
Input DC Voltage	50 Vdc	-	300 Vdc	
Input DC Current	-	-	33A	Measured at 100% load and 100 Vdc input.

Output Specifications

Parameter	Min.	Typ.	Max.	Notes
Output Current Tolerance	-5% Io set	-	5% Io set	Measured at 25°C and 100% load
Startup Overshoot Current	-	-	10% Io max	Measured at 25°C and 100% load
Turn-on Delay Time	-	3s	5s	Measured at 250Vdc input.
OTP Tc(Note1)	60°C	65°C	70°C	Output current will shut down.
OVP	455	470	485	

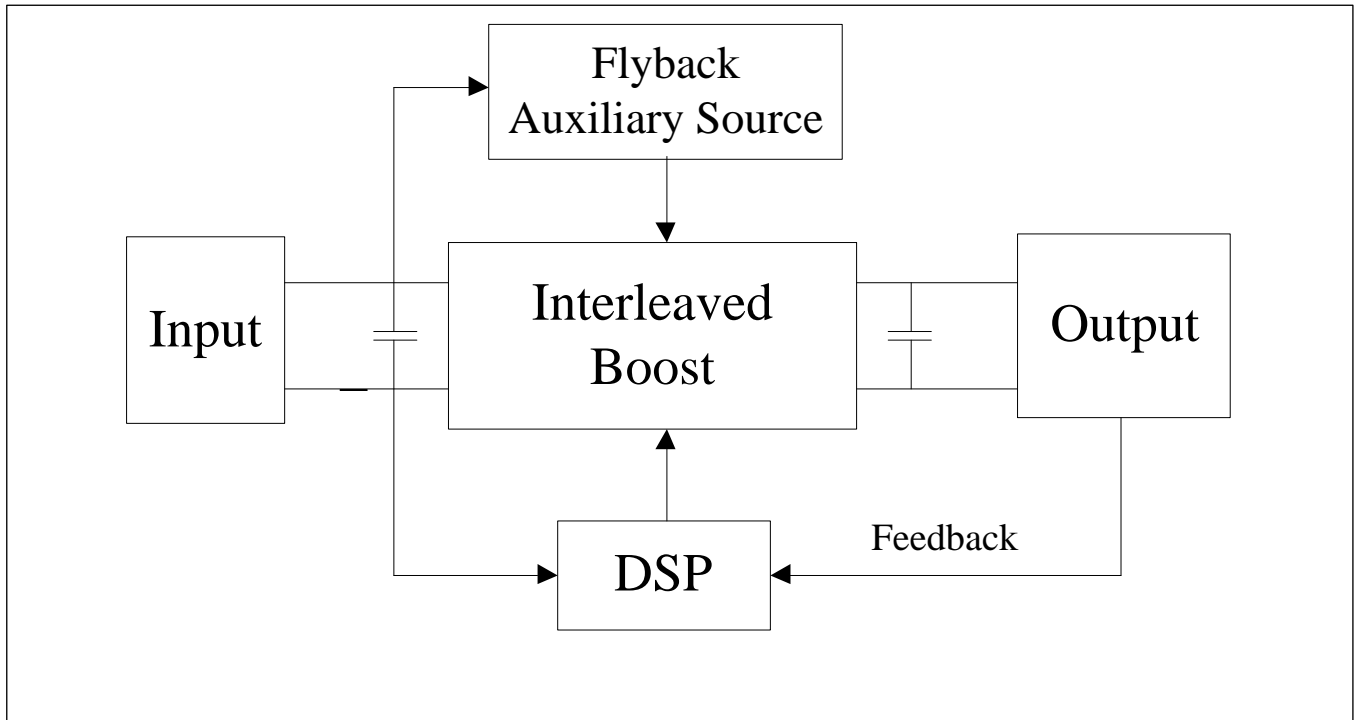
General Specifications

Parameter	Min.	Typ.	Max.	Notes
Operating Case Temperature Tc(Note1)	-40°C	-	60°C	50 °C to 60 °C with power derating
Operating Ambient Temperature Ta	-40°C	-	60°C	

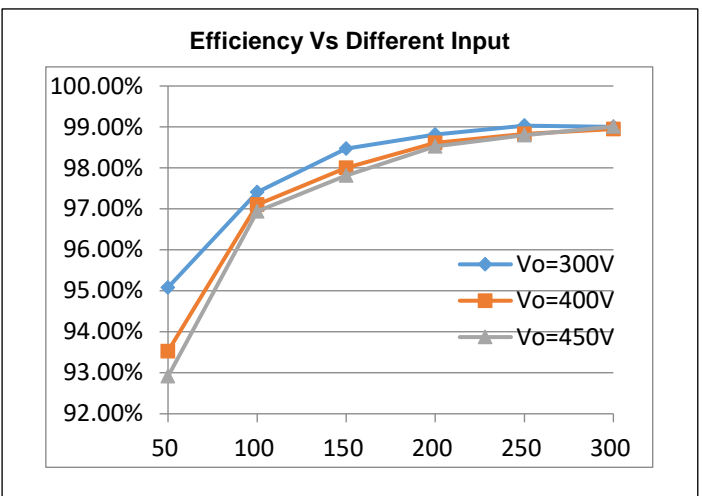
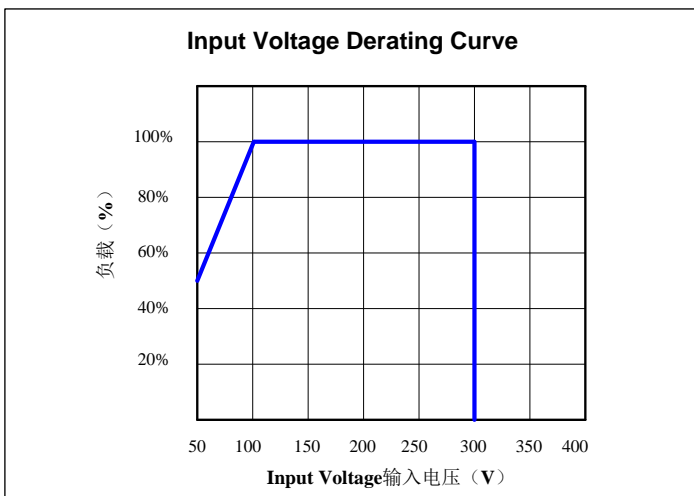
Storage Temperature	-40°C	-	+85°C	Humidity: 5%RH to 95%RH
Dimensions				
Inches (L x W x H)	4.51 x 3.52 x 0.71			
Millimeters (L x W x H)	114.6x 89.5x18.0			
Net Weight	-	0.52kg	-	

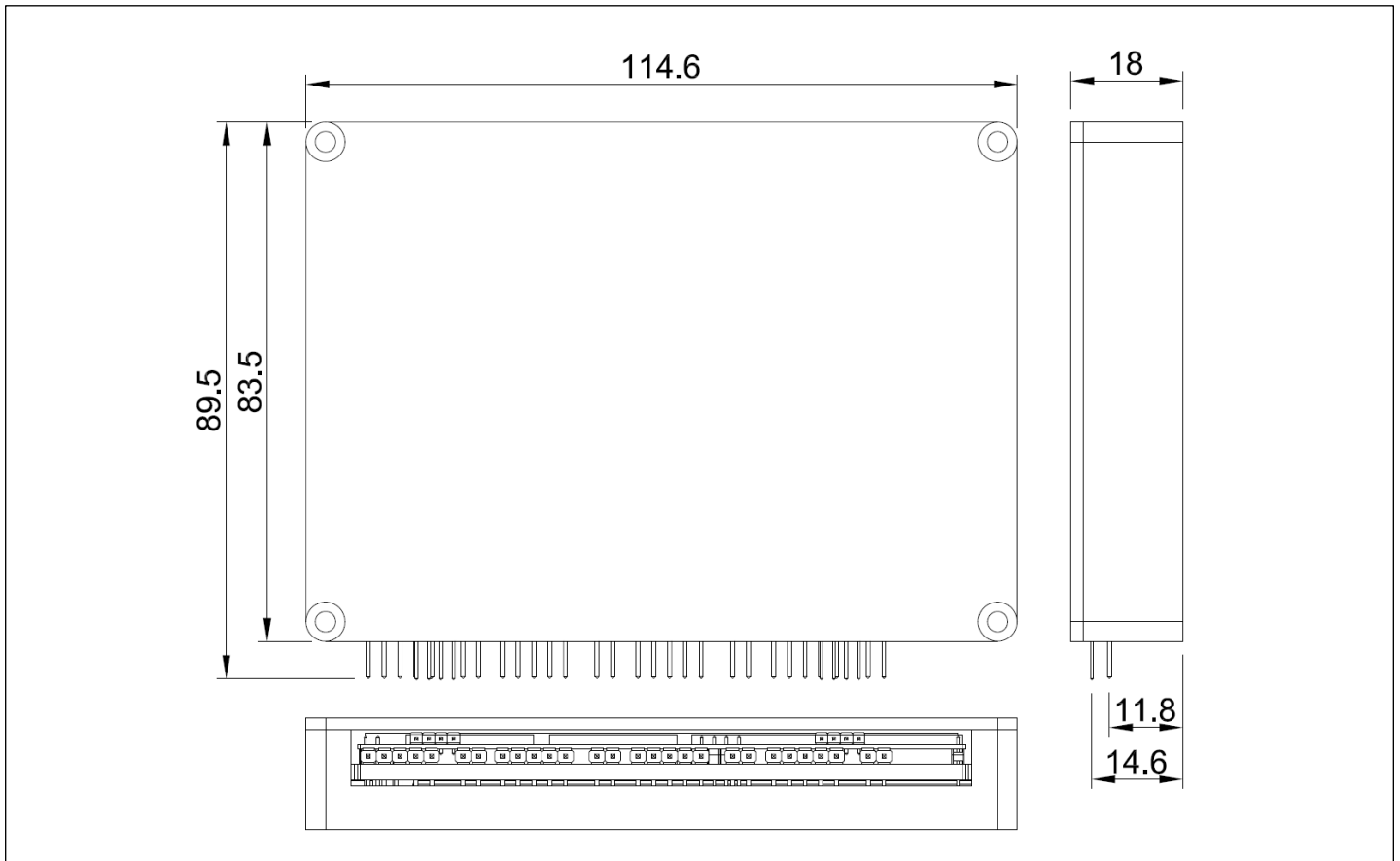
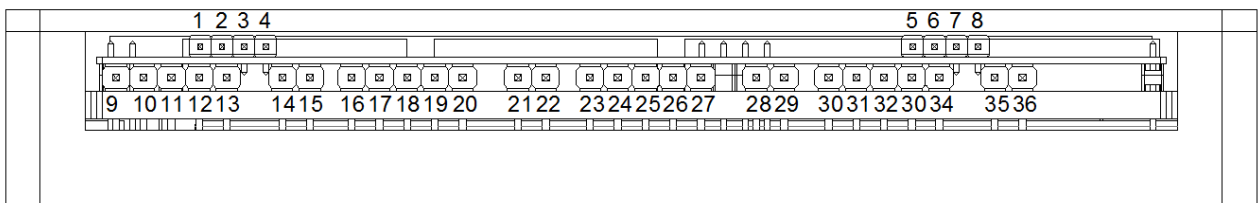
Note1: There are three points could be maximum Tc point, depending on different Vdc input and Vdc output.

Block Diagram



Performance Curve



Mechanical Specification

Pin out function


Pin#/ 引脚序号	Function/功能	Pin#/ 引脚序号	Function/功能	Pin#/ 引脚序号	Function/功能
1	NC	13	Power Ground/功率地	25	+In/输入正
2	NC	14	+Out/输出正	26	Power Ground/功率地
3	NC	15	+Out/输出正	27	Power Ground/功率地
4	NC	16	+In/输入正	28	+Out/输出正
5	CAN GND	17	+In/输入正	29	+Out/输出正
6	CANL	18	+In/输入正	30	+In/输入正
7	CANH	19	Power Ground/功率地	31	+In/输入正
8	CAN +5V	20	Power Ground/功率地	32	+In/输入正

Pin#/ 引脚序号	Function/功能	Pin#/ 引脚序号	Function/功能	Pin#/ 引脚序号	Function/功能
9	+In/输入正	21	+Out/输出正	33	Power Ground/功率地
10	+In/输入正	22	+Out/输出正	34	Power Ground/功率地
11	+In/输入正	23	+In/输入正	35	+Out/输出正
12	Power Ground/功率地	24	+In/输入正	36	+Out/输出正

Revision History

Change Date	Rev.	Description of Change		
		Item	From	To
2018.8.1	V1.0			