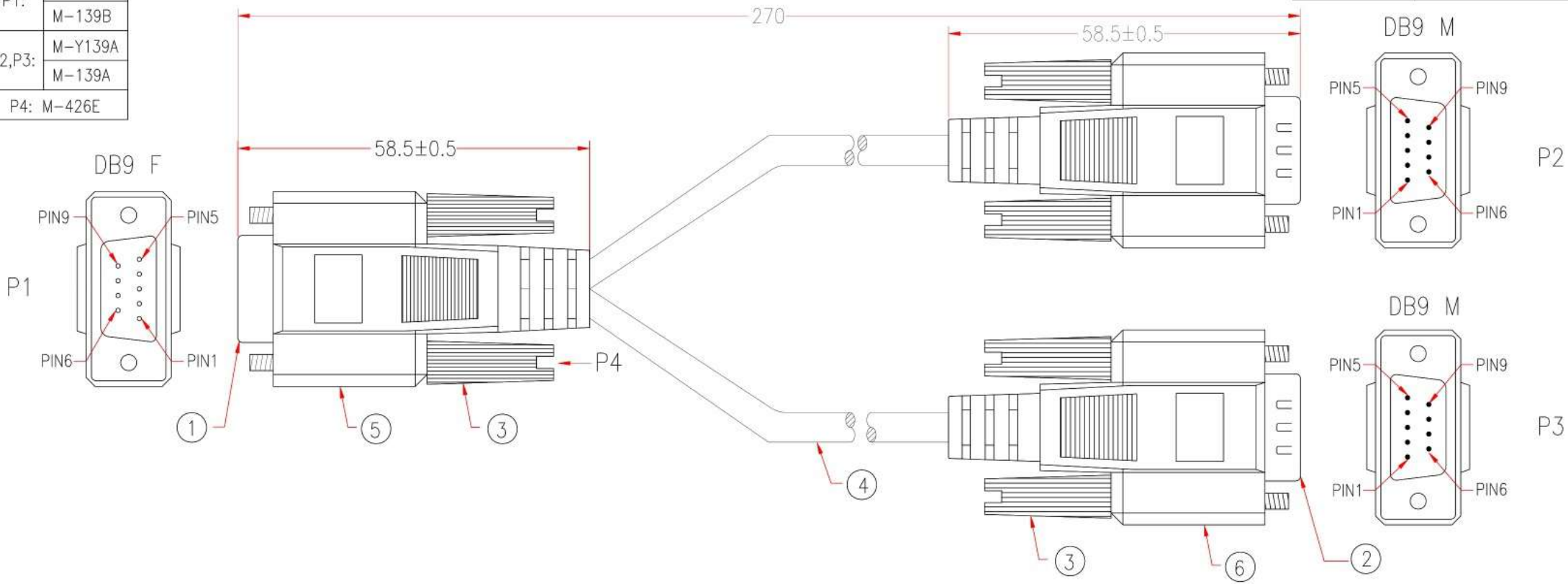


P1:	M-Y139A
	M-139B
P2,P3:	M-Y139A
	M-139A
P4:	M-426E



\* NOTE: All relevant materials are complied with RoHS directive .

1239-2

P2	P1	P3
1	1	1
2	2	2
3	3	3
≤ 1:1		
8	8	8
9	9	9
SHIELD	SHIELD	SHIELD

5&6	BLACK PVC TUBE $\phi$ 3.0*22mm	H7A001-0304K09	3	M304
	ALUMINUM FOIL 33*65mm	A6MA05-0309	3	M309
	MOLDED PE COLOR TRANSPARENT	A5BA02-0280		M280
	MOLDED PVC BEIGE	H1BF01-0304B01		M304
4	NON-UL 9C 28AWG, ALUM-MYLAR FOIL SHIELDING WITH DRAIN WIRE, OD 5.0mm JACKET BEIGE, DRAWING No. EMAL2809C-051	H5BL31-0304B01	255mm*2	M304
3	MOLDED THUMBSCREW #4-40, LENGTH 46.5mm, BEIGE	H1RB01-0304B01 A6AA30-0095	6	M95
2	DB9 MALE, GOLD FLASH ON CONTACTS, BLUE INSULATOR	A1AA12-0277U09	2	M277
1	DB9 FEMALE, GOLD FLASH ON CONTACTS, BLUE INSULATOR	A1AA01-0277U09	1	M277
No.	DESCRIPTION		Q'TY	Supplier

APPROVED		 <b>COMPUCABLEPLUS</b> PROVIDING CONNECTIVITY SOLUTIONS	Cable Length Unless Other Spec. Tolerances: 0 ~200mm ±10mm 201~1000mm ±20mm 1001 ~1500mm ±25mm 1501~2100mm ±30mm 2100mm↑ ±40mm		
CHECKED	HU				
DESIGNER	JIANG				
DRAWING	ZHU				
DATE	05/JULY/19	ITEM NO.	DMC-9FMX2-6INB & DMC-9FMX2-6INB-MF	UNIT:mm	