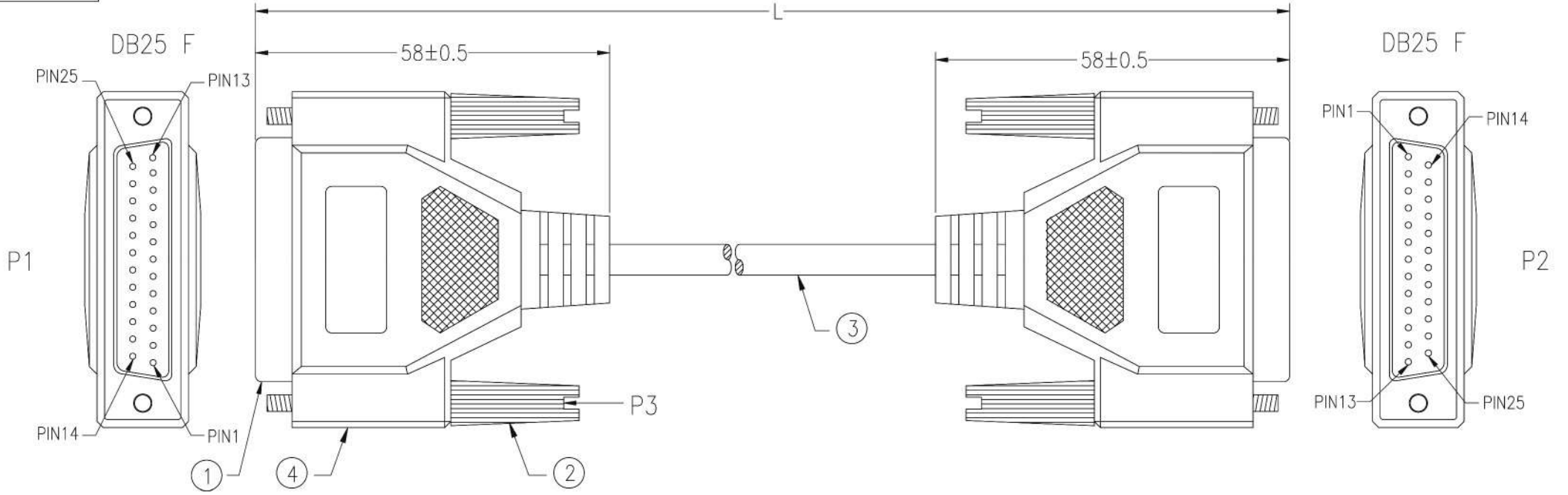


P1,P2: M-Y222E  
M-222D  
P3: M-426E

Customer No:



2009				
P1		P2		
BLACK	1	1	BROWN/BLACK	14
BROWN	2	2	RED/BLACK	15
RED	3	3	ORANGE/BLACK	16
ORANGE	4	4	YELLOW/BLACK	17
YELLOW	5	5	GREEN/BLACK	18
GREEN	6	6	⚠ BLUE/BLACK	19
BLUE	7	7	PURPLE/BLACK	20
PURPLE	8	8	GRAY/BLACK	21
GRAY	9	9	WHITE/BLACK	22
WHITE	10	10	PINK/BLACK	23
PINK	11	11	LIGHT GREEN/BLACK	24
LIGHT GREEN	12	12	LIGHT BLUE/BLACK	25
LIGHT BLUE	13	13	SHIELD	SHIELD

\* NOTE: All relevant materials are complied with RoHS directive .

No.	DESCRIPTION	Q'TY	Supplier
4	BLACK HEAT SHRINK TUBE $\phi$ 3.0*30mm	2	M304
	ALUMINUM FOIL 33*110mm	2	M309
	MOLDED PE COLOR TRANSPARENT		M280
	MOLDED PVC BEIGE		M304
3	NON-UL 25C 28AWG, ALUM-MYLAR FOIL SHIELDING WITH DRAIN WIRE, OD 7.0mm, JACKET BEIGE, DRAWING No. EMAL2825C-095	Lmm	M304
2	MOLDED THUMBSCREW #4-40, LENGTH 46.5mm, BEIGE	4	M95
1	DB25 FEMALE, GOLD FLASH ON CONTACTS, BLUE INSULATOR	2	M277

APPROVED		<p><b>COMPUCABLEPLUS</b> PROVIDING CONNECTIVITY SOLUTIONS</p>	Cable Length Unless Other Spec. Tolerances: 0 ~200mm ±10mm 201~1000mm ±20mm 1001 ~1500mm ±25mm 1501~2100mm ±30mm 2100mm↑ ±40mm
CHECKED	HU		
DRAWING	ZHU		
DATE	05/JULY/19		
ITEM NO.	DMC-25FF-XXB & DMC-25FF-XXB-MF		UNIT:mm