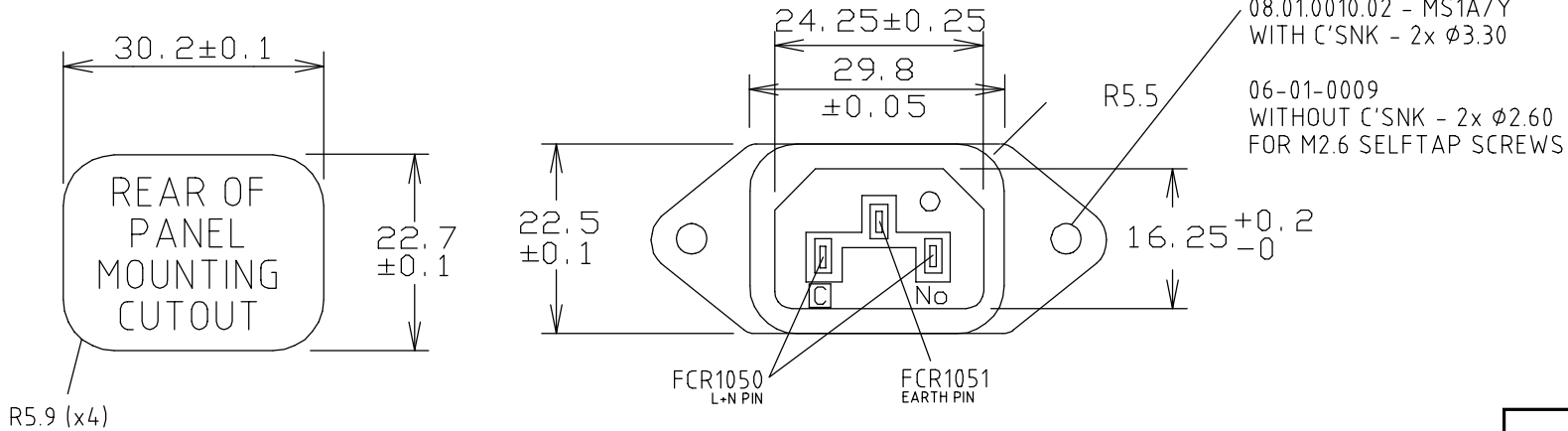
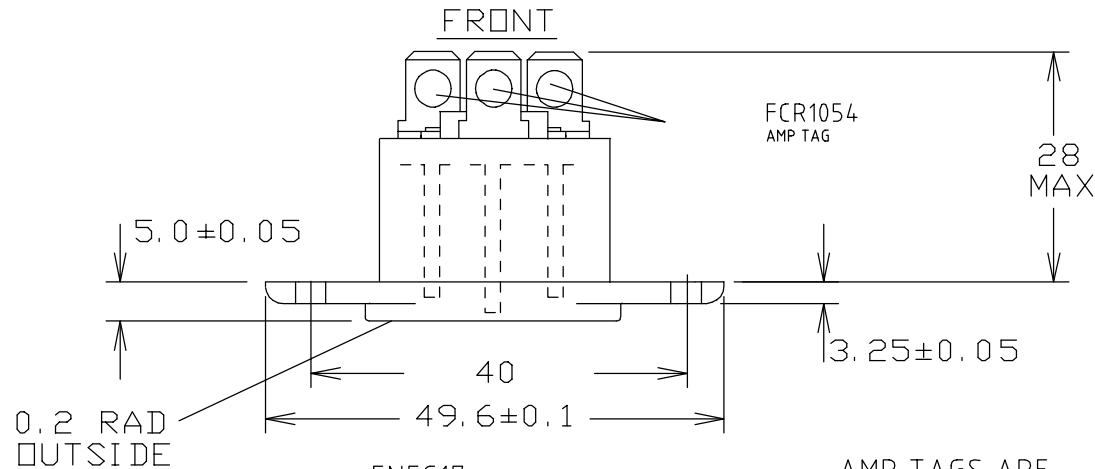


ISS.	AMEND	DATE
1	1st DRAWN	04/05/93
2	0.2 RAD ADDED	23/06/93
3	ENEC17 ADD	07/03/03
4	PLATING AMEND	30/05/06
5	CSA REMOVED	16/06/08
6	APPROVAL MARK REM	24/01/17



VARIANTS

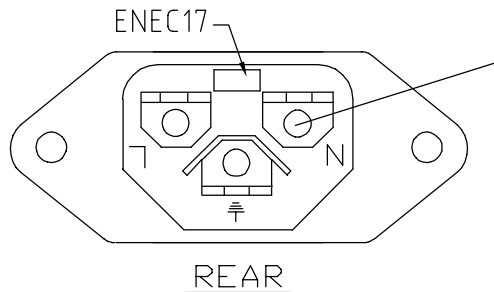
MODEL	P/No.
STD PART MS1A/Y/ST	CL1922Y
MS1A/Y	CL1922Y1



OPTIONAL VARIANT
MS1A/Y WITH COUNTERSUNK
HOLE IN MOUNTING FLANGE.

RATED 10A. 250VAC

APPROVED ENEC17 FOR ALL EC
COUNTRIES.



AMP TAGS ARE
TO BE SECURED TO
'N' 'L' & 'E'
TERMINAL PINS BY
'SPIN' RIVETING

RoHS
COMPLIANT

TOLERANCE
NO DEC. PLACE ± 0.50
1 DEC. PLACE ± 0.20
2 DEC. PLACE ± 0.10
HOLE Ø ± 0.10
ANGLES ± 1°
UNLESS
OTHERWISE STATED

Cliff Electronic Components Ltd.

76 Holmethorpe Avenue, Holmethorpe Industrial Estate,
Redhill, Surrey, RH1 2PF, England, UK
Tel: 01737-771375 Fax: 01737-766012 Website: www.cliffuk.co.uk

DIMENSIONS IN MILLIMETERS UNLESS OTHERWISE STATED. WORK TO DIMENSIONS. REMOVE ALL BURRS. IF IN DOUBT ASK.

3rd ANGLE PROJECTION:

DO NOT SCALE

MATERIAL: POLYAMIDE A28GM / BRASS

TITLE: MS1A/Y/ST (AMP TAG IEC INLET)

FINISH: AS MOULDED / Sn PLATED

DRAWN: CAMJ

APPROVED: RWT

DRWG. No. **CL 1922Y**

FORM: A4DRWGH