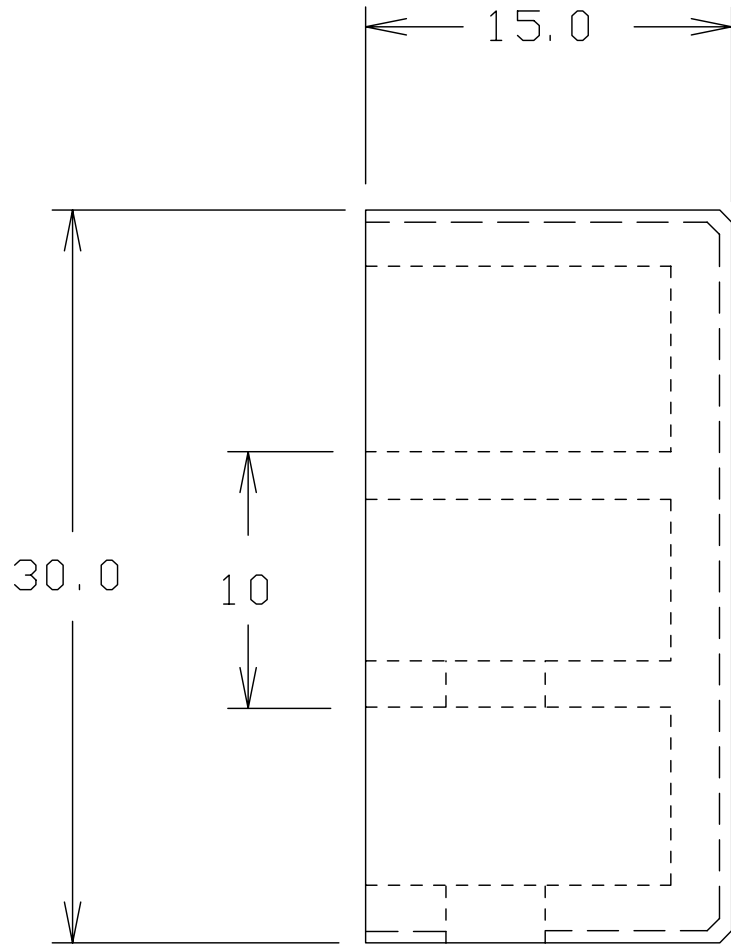
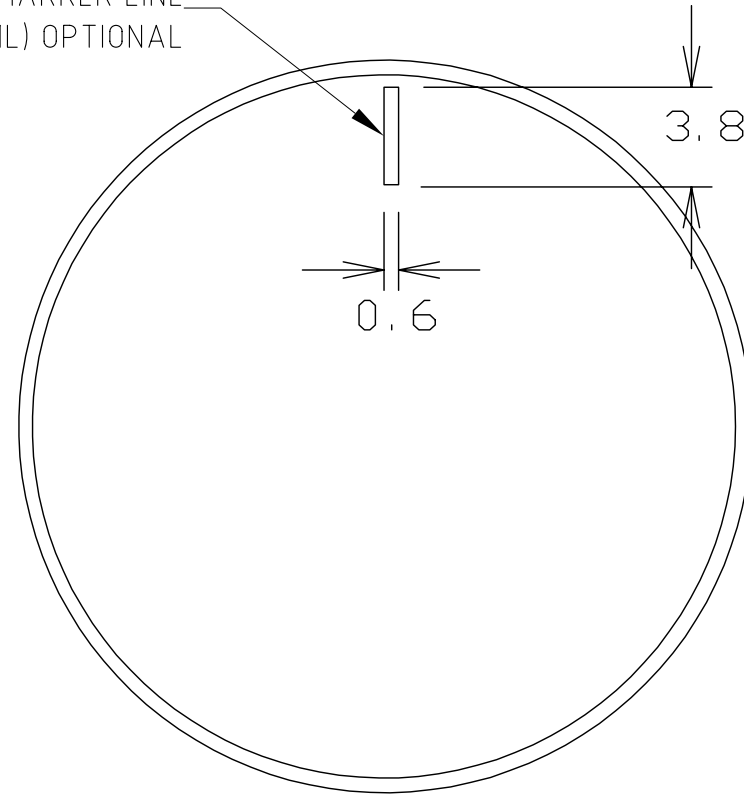


DESCRIPTION	PART No.
K16 1/4" D	CL172975
K16 1/4 " D ML	CL172980
K16 6mm SF	CL172984
K16 1/4" SF	CL172985
K16 6mm SF ML	CL172989
K16 1/4" SF ML	CL172990
K16 4mm SF ML	CL172992

ISS.	AMEND	DATE
1	WAS CL172970	23/11/12



MARKER LINE (ML) OPTIONAL



POSITION OF GRUB SCREW OR FLAT OF 'D'

**RoHS**  
COMPLIANT

**TOLERANCE**  
 NO DEC. PLACE  $\pm 0.25$   
 1 DEC. PLACE  $\pm$   
 2 DEC. PLACE  $\pm$   
 HOLE  $\varnothing \pm$   
 ANGLES  $\pm 1/2^\circ$   
 UNLESS OTHERWISE STATED

DO NOT SCALE

**Cliff Electronic Components Ltd.**

76 Holmethorpe Avenue, Holmethorpe Industrial Estate,  
 Redhill, Surrey, RH1 2PF, England, UK  
 Tel: 01737-771375 Fax: 01737-766012 Website: www.cliffuk.co.uk

DIMENSIONS IN MILLIMETERS UNLESS OTHERWISE STATED. WORK TO DIMENSIONS. REMOVE ALL BURRS. IF IN DOUBT ASK.

3rd ANGLE PROJECTION:

MATERIAL: NYLON 6 / ALUMINIUM

TITLE: KNOB K16

FINISH: AS MOULDED / CLEAR ANODISED

THE CONTENTS OF THIS DOCUMENT MUST NOT BE COPIED OR DISCLOSED TO A 3rd PARTY WITHOUT WRITTEN PERMISSION OF CLIFF UK. © 2012

DRAWN: T.J.O.

APPROVED: D.P.J.

DRWG. No. **CL172975**

FORM: A4DRWGH